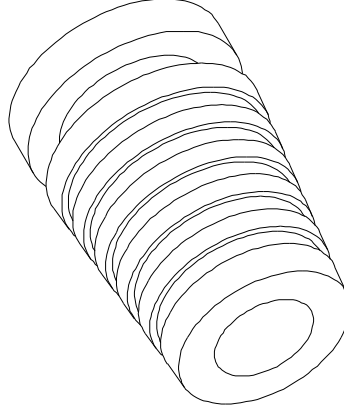
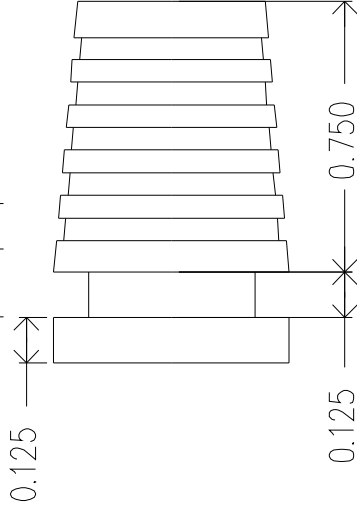
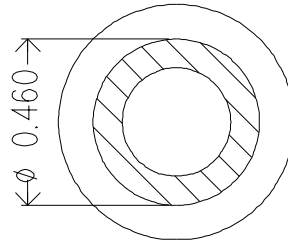
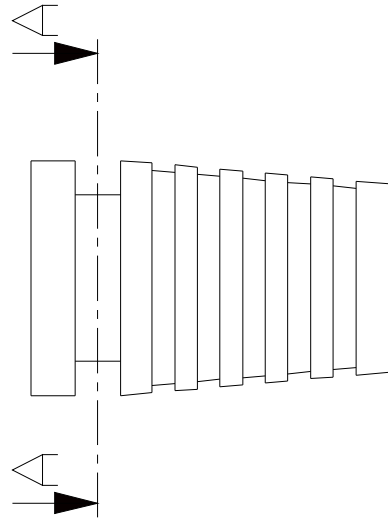
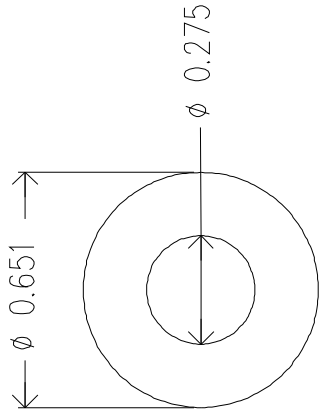


REVISIONS		DATE	APPROVED
ZONE	REV.		
	DESCRIPTION		



MOLD MATERIAL: ISC P/N: 5000214., PVC, M1472, Black, RoHS

DRAWN	CHECKED	ENG APPR.	MFG APPR.	Q.A.	COMMENTS:
R FIERRO					
DIMENSIONS ARE IN INCHES					
TOLERANCES:					
FRACTIONAL: BEND ±					
ANGULAR: MACH ±					
TWO PLACE DECIMAL ±					
THREE PLACE DECIMAL ±					
MATERIAL: --					
FINISH: --					
NEXT ASSY: USED ON					
APPLICATION: DO NOT SCALE DRAWING					
SCALE: 2:1					WEIGHT:
SIZE DWG. NO. 1467258					REV.
1461040-.275-.125-.460-.651-0					SHEET OF 1

A-A

Dimensions are subject to change.
 PROPRIETARY AND CONFIDENTIAL
 THE INFORMATION CONTAINED IN THIS DRAWING IS THE SOLE PROPERTY OF ISC ENGINEERING. ANY REPRODUCTION IN PART OR AS A WHOLE WITHOUT THE WRITTEN PERMISSION OF ISC ENGINEERING IS PROHIBITED.

