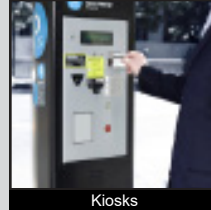


PVP SERIES ANTI-VANDAL SWITCH SOCKET

ANTI-VANDAL SWITCHES
DETECTOR SWITCHES
DIP SWITCHES
KEYLOCK SWITCHES
NAVIGATION SWITCHES
PUSHBUTTON SWITCHES
ROCKER SWITCHES
ROTARY SWITCHES
SLIDE SWITCHES
SNAP ACTION SWITCHES
TACTILE SWITCHES
TOGGLE SWITCHES
CAP OPTIONS



APPLICATIONS / MARKETS



RoHS

FEATURES & BENEFITS

- PVP3 both solder lug and wired socket are compatible with PV3 Series switches featuring SPDT, DPDT, non illuminated, or LED illuminated options
- PVP4 both solder lug and wired socket are compatible with PV4 Series switches featuring SPDT, DPDT, non illuminated, or LED illuminated options
- PVP7 both solder lug and wired socket are compatible with PV7 Series switches featuring SPDT non illuminated, or LED illuminated options
- PVP8 wired socket is compatible with PV8, PV9, and PV10 Series switches featuring SPDT, DPDT, non illuminated, or LED illuminated options
- Wire, 22 AWG AWM UL1007
- Wire length 140.0 [5.5 in]

PART NUMBER CONFIGURATOR

Series	Anti-Vandal Options	Terminal Options	Circuit Options	Illumination Options
<input type="checkbox"/> <input type="checkbox"/> <input type="checkbox"/> PVP	<input type="checkbox"/> 3 - PV3 4 - PV4 7 - PV7* 8 - PV8, PV9, PV10**	<input type="checkbox"/> S - Solder Lug** W - Wire Leads 140mm long	<input type="checkbox"/> S - SPDT D - DPDT*	<input type="checkbox"/> N - Non Illuminated 3 - LED Illuminated

NOTES:
 PVP Sockets not compatible with tri-color RGB illumination options
 *DPDT circuit option unavailable for the Anti-Vandal Option 7 - PV7
 **Solder Lug terminal option unavailable for Anti-Vandal Option 8 - PV8, PV9, PV10

Specifications subject to change without notice 7.8.2019



E-SWITCH®

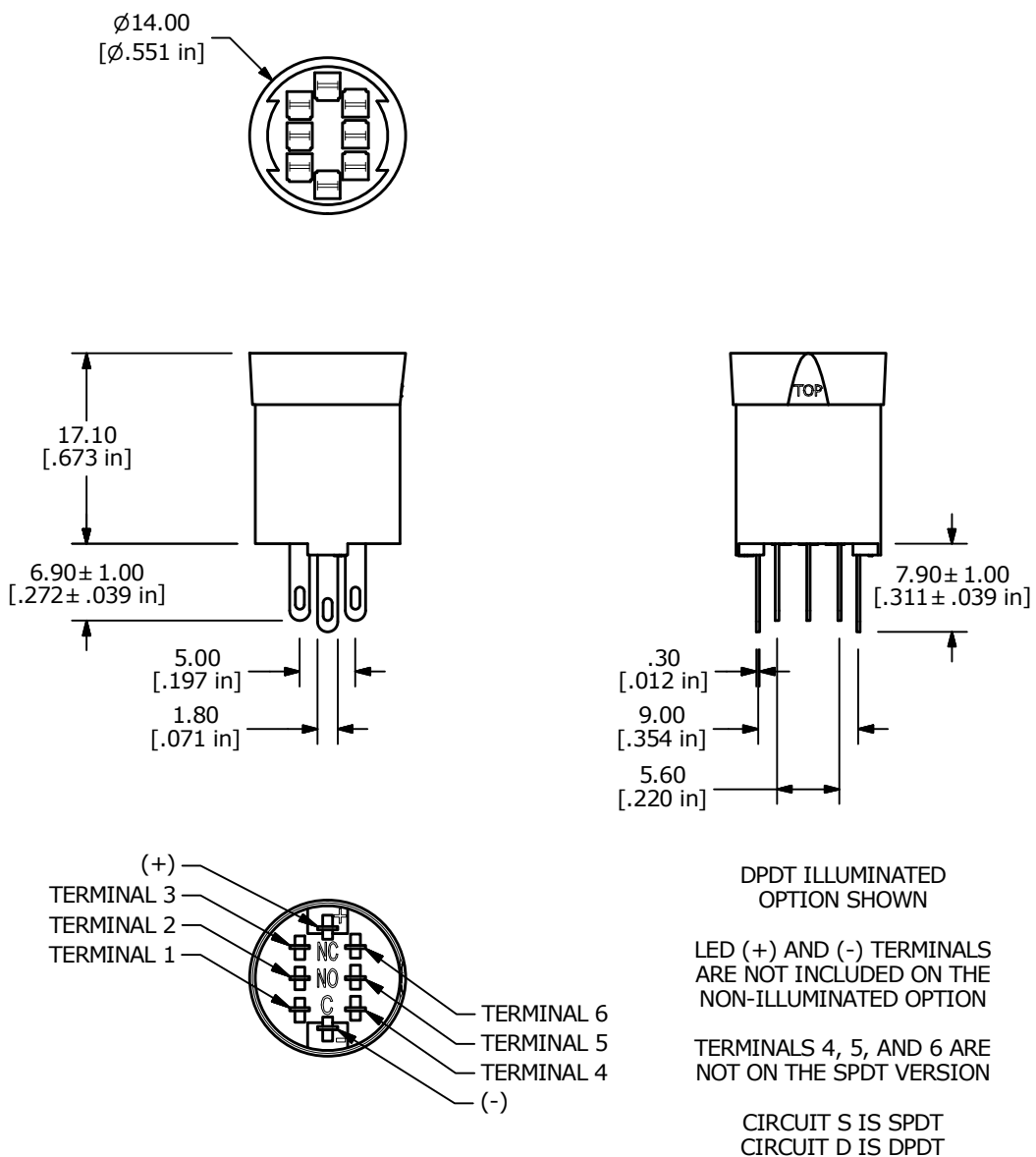
www.e-switch.com

800.867.2717

1

PVP SERIES ANTI-VANDAL SWITCH SOCKET

PVP3 SOLDER LUG



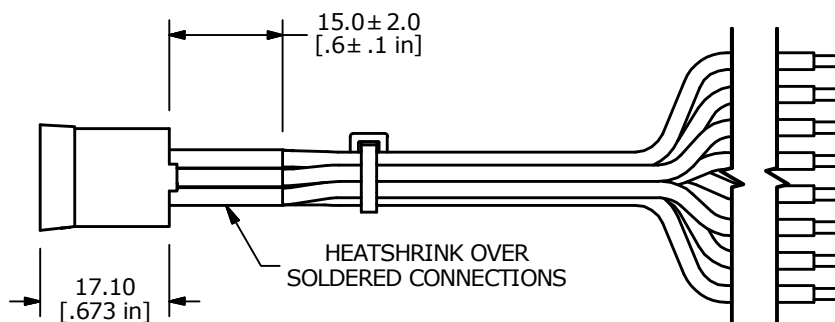
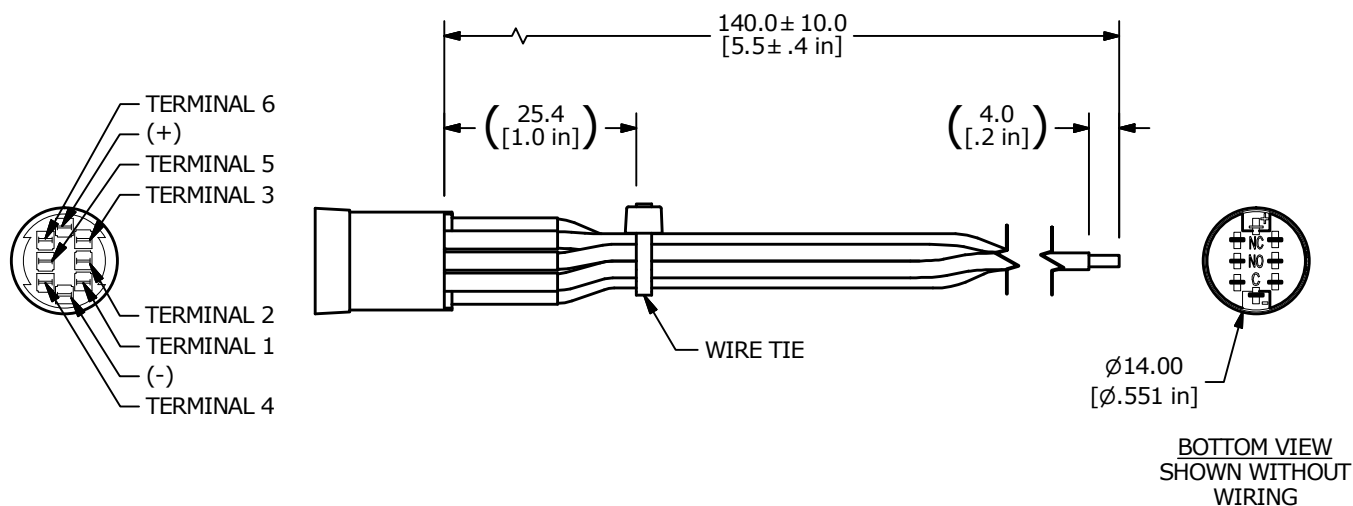
PVP SERIES ANTI-VANDAL SWITCH SOCKET

PVP3 WIRED SOCKET

- ANTI-VANDAL SWITCHES
- DETECTOR SWITCHES
- DIP SWITCHES
- KEYLOCK SWITCHES
- NAVIGATION SWITCHES
- PUSHBUTTON SWITCHES
- ROCKER SWITCHES
- ROTARY SWITCHES
- SLIDE SWITCHES
- SNAP ACTION SWITCHES
- TACTILE SWITCHES
- TOGGLE SWITCHES
- CAP OPTIONS

ADAPTER	WIRE	LENGTH
SW1-1	WIRE, 22 AWG AWM UL1007, YELLOW	140.0 [5.5 in]
SW1-2	WIRE, 22 AWG AWM UL1007, BLUE	140.0 [5.5 in]
SW1-3	WIRE, 22 AWG AWM UL1007, GREEN	140.0 [5.5 in]
SW1-4	WIRE, 22 AWG AWM UL1007, PURPLE	140.0 [5.5 in]
SW1-5	WIRE, 22 AWG AWM UL1007, ORANGE	140.0 [5.5 in]
SW1-6	WIRE, 22 AWG AWM UL1007, WHITE	140.0 [5.5 in]
SW1- (+)	WIRE, 22 AWG AWM UL1007, RED	140.0 [5.5 in]
SW1- (-)	WIRE, 22 AWG AWM UL1007, BLACK	140.0 [5.5 in]

** WIRE LEADS PROVIDED ARE DEPENDANT ON THE FUNCTION AND/OR **
ILLUMINATION SELECTED



DPDT ILLUMINATED OPTION SHOWN

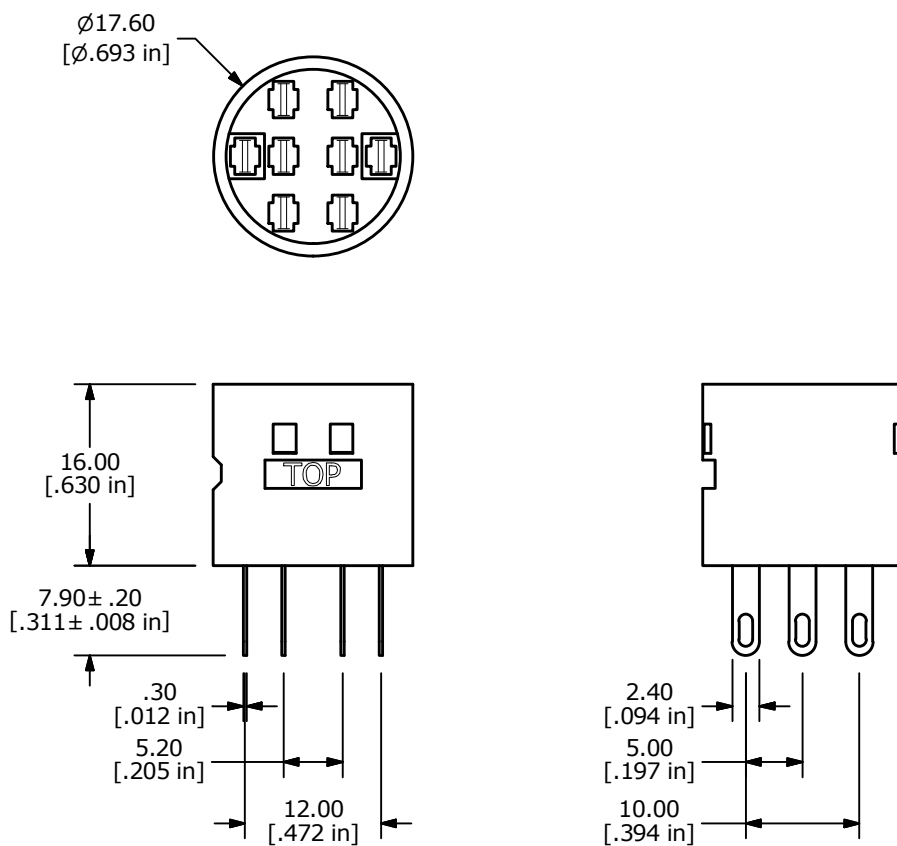
LED (+) AND (-) TERMINALS/WIRING ARE NOT INCLUDED ON THE
NON ILLUMINATED OPTION

TERMINALS/WIRING 4, 5, AND 6 ARE NOT ON THE SPDT VERSION



PVP SERIES ANTI-VANDAL SWITCH SOCKET

PVP4 SOLDER LUG



DPDT ILLUMINATED
OPTION SHOWN

LED (+) AND (-) TERMINALS
ARE NOT INCLUDED ON THE
NON-ILLUMINATED OPTION

TERMINALS 4, 5, AND 6 ARE
NOT ON THE SPDT VERSION

CIRCUIT S IS SPDT
CIRCUIT D IS DPDT

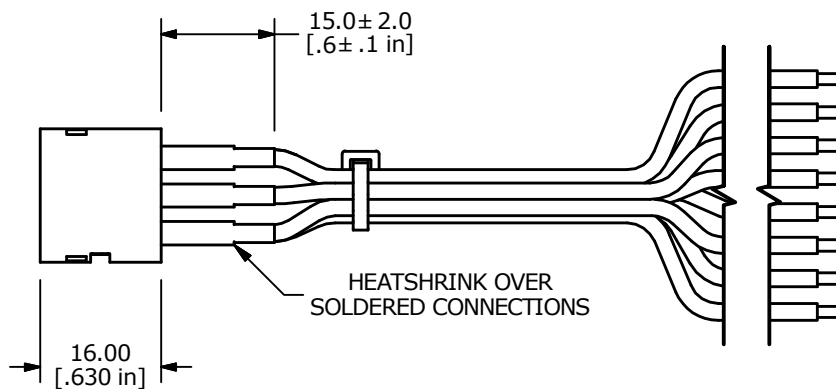
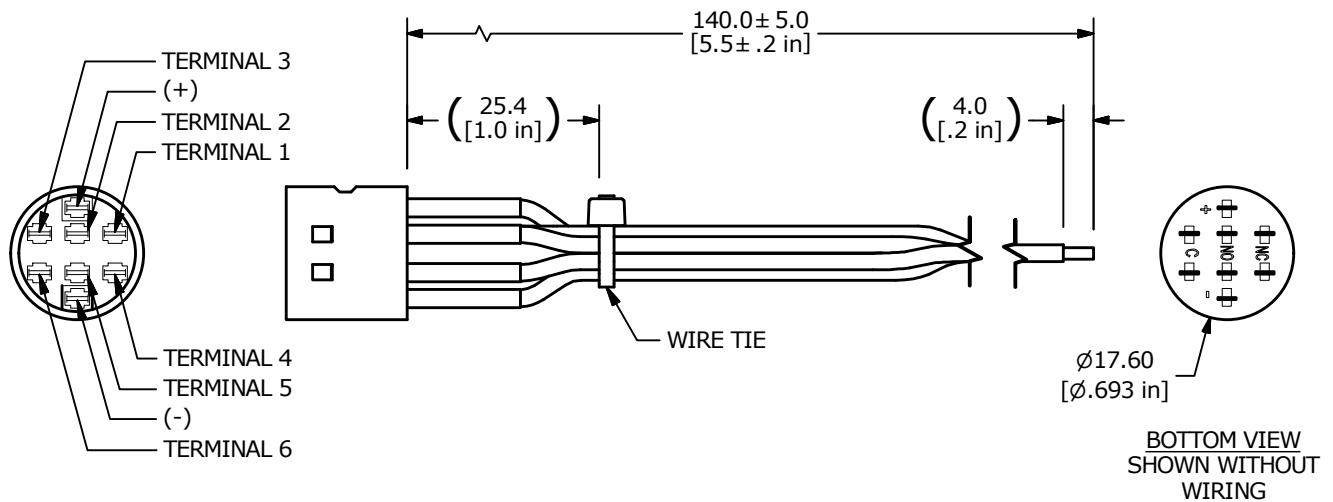


PVP SERIES ANTI-VANDAL SWITCH SOCKET

PVP4 WIRED SOCKET

ADAPTER	WIRE	LENGTH
SW1-1	WIRE, 22 AWG AWM UL1007, YELLOW	140.0 [5.5 in]
SW1-2	WIRE, 22 AWG AWM UL1007, BLUE	140.0 [5.5 in]
SW1-3	WIRE, 22 AWG AWM UL1007, GREEN	140.0 [5.5 in]
SW1-4	WIRE, 22 AWG AWM UL1007, PURPLE	140.0 [5.5 in]
SW1-5	WIRE, 22 AWG AWM UL1007, ORANGE	140.0 [5.5 in]
SW1-6	WIRE, 22 AWG AWM UL1007, WHITE	140.0 [5.5 in]
SW1- (+)	WIRE, 22 AWG AWM UL1007, RED	140.0 [5.5 in]
SW1- (-)	WIRE, 22 AWG AWM UL1007, BLACK	140.0 [5.5 in]

** WIRE LEADS PROVIDED ARE DEPENDANT ON THE FUNCTION AND/OR **
ILLUMINATION SELECTED



DPDT ILLUMINATED OPTION SHOWN

LED (+) AND (-) TERMINALS/WIRING ARE NOT INCLUDED ON THE
NON ILLUMINATED OPTION

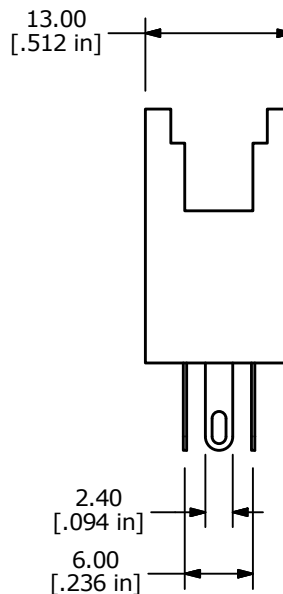
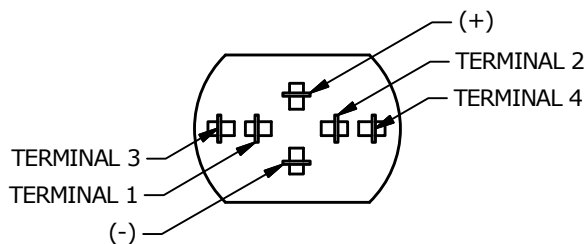
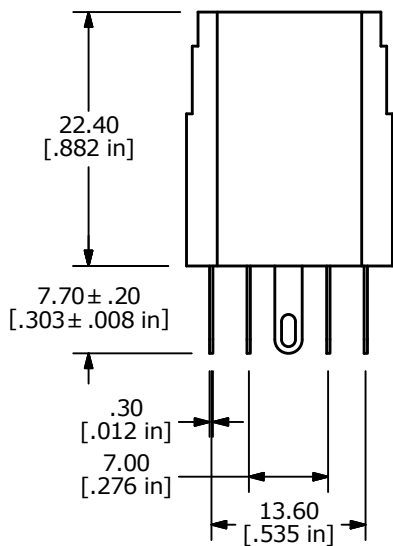
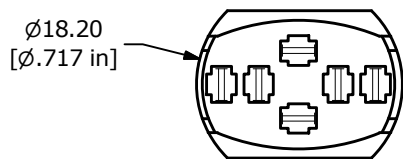
TERMINALS/WIRING 4, 5, AND 6 ARE NOT ON THE SPDT VERSION

CIRCUIT S IS SPDT
CIRCUIT D IS DPDT



PVP SERIES ANTI-VANDAL SWITCH SOCKET

PVP7 SOLDER LUG



SPDT ILLUMINATED
OPTION SHOWN

LED (+) AND (-) TERMINALS
ARE NOT INCLUDED ON THE
NON-ILLUMINATED OPTION

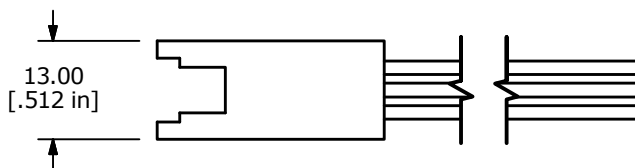
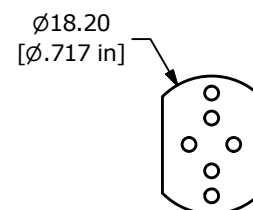
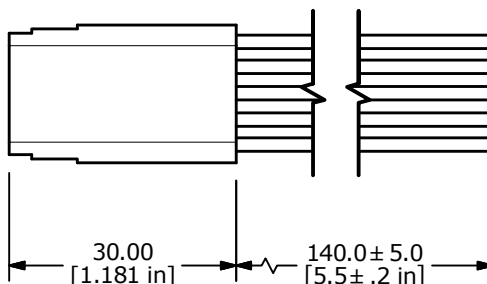
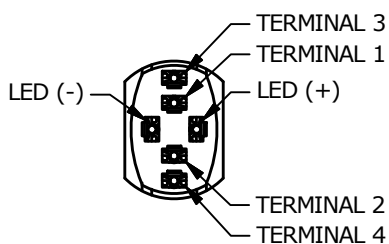


PVP SERIES ANTI-VANDAL SWITCH SOCKET

PVP7 WIRED SOCKET

- ANTI-VANDAL SWITCHES
- DETECTOR SWITCHES
- DIP SWITCHES
- KEYLOCK SWITCHES
- NAVIGATION SWITCHES
- PUSHBUTTON SWITCHES
- ROCKER SWITCHES
- ROTARY SWITCHES
- SLIDE SWITCHES
- SNAP ACTION SWITCHES
- TACTILE SWITCHES
- TOGGLE SWITCHES
- CAP OPTIONS

ADAPTER	WIRE	LENGTH
SW1-1	WIRE, 22 AWG AWM UL1007, BLUE	140.0 [5.5 in]
SW1-2	WIRE, 22 AWG AWM UL1007, BLUE	140.0 [5.5 in]
SW1-3	WIRE, 22 AWG AWM UL1007, YELLOW	140.0 [5.5 in]
SW1-4	WIRE, 22 AWG AWM UL1007, YELLOW	140.0 [5.5 in]
SW1- (-)	WIRE, 22 AWG AWM UL1007, BLACK	140.0 [5.5 in]
SW1- (+)	WIRE, 22 AWG AWM UL1007, RED	140.0 [5.5 in]



SPDT ILLUMINATED OPTION SHOWN

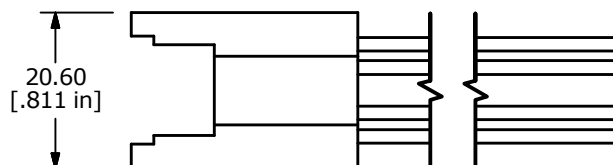
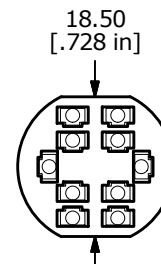
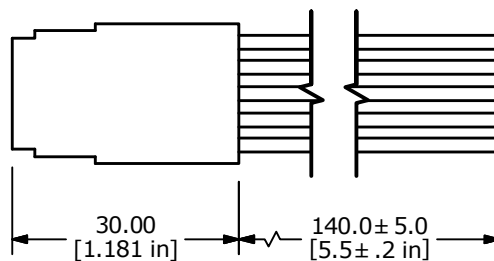
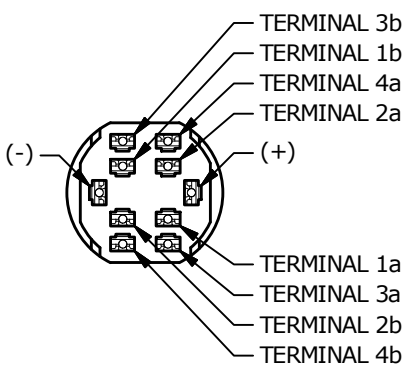
LED (+) AND (-) TERMINALS/WIRING ARE NOT INCLUDED ON THE NON-ILLUMINATED OPTION



PVP SERIES ANTI-VANDAL SWITCH SOCKET

PVP8 WIRED SOCKET

ADAPTER	WIRE	LENGTH
SW1-1a	WIRE, 22 AWG AWM UL1007, BLUE	140.0 [5.5 in]
SW1-2a	WIRE, 22 AWG AWM UL1007, BLUE	140.0 [5.5 in]
SW1-3a	WIRE, 22 AWG AWM UL1007, YELLOW	140.0 [5.5 in]
SW1-4a	WIRE, 22 AWG AWM UL1007, YELLOW	140.0 [5.5 in]
SW1-1b	WIRE, 22 AWG AWM UL1007, BLUE	140.0 [5.5 in]
SW1-2b	WIRE, 22 AWG AWM UL1007, BLUE	140.0 [5.5 in]
SW1-3b	WIRE, 22 AWG AWM UL1007, YELLOW	140.0 [5.5 in]
SW1-4b	WIRE, 22 AWG AWM UL1007, YELLOW	140.0 [5.5 in]
SW1- (-)	WIRE, 22 AWG AWM UL1007, BLACK	140.0 [5.5 in]
SW1- (+)	WIRE, 22 AWG AWM UL1007, RED	140.0 [5.5 in]



DPDT ILLUMINATED OPTION SHOWN

LED (+) AND (-) TERMINALS/WIRING ARE NOT INCLUDED ON THE NON-ILLUMINATED OPTION

TERMINALS/WIRING 1b, 2b, 3b, AND 4b ARE NOT ON THE SPDT VERSION

CIRCUIT S IS SPDT
CIRCUIT D IS DPDT

