

RH-EE-06 | Folding handle with recessed tray

Stainless steel



- 1
- 2
- 3
- 4
- 5
- 6
- 7
- 8
- 9
- 10
- 11
- 12
- 13
- 14
- 15
- 16
- 17
- 18

MATERIAL

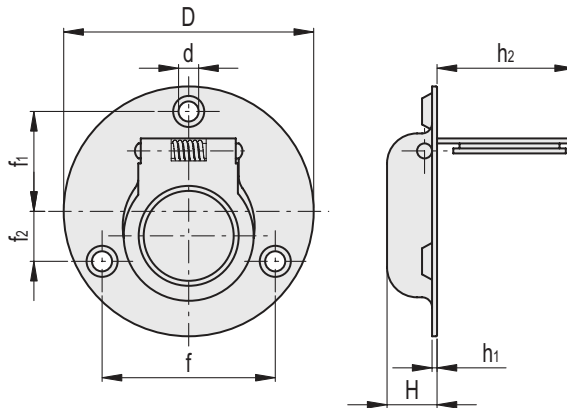
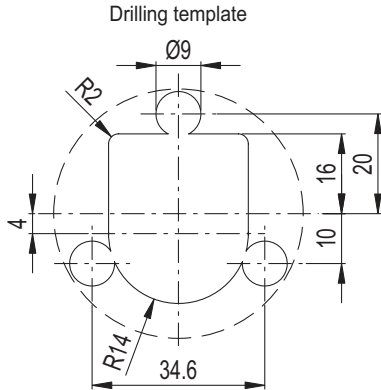
AISI 304 stainless steel with electropolished finish.
Handle with return spring from work to rest position.

STANDARD EXECUTION

Pass-through holes for M4 countersunk-head screws.

APPLICATIONS

The folding handle with recessed tray RH-EE-06 series is used when it is requested to save space.



Conversion Table			
1 mm = 0.039 inch			
L		d	
mm	inch	mm	inch
50	1.97	4	0.16



Code	D	f	f1	f2	H	h1	h2	d	⚖
RHEE-06.050.39	50	34.6	20	10	10	1	25	4	22

Lift & Pull handles

546

