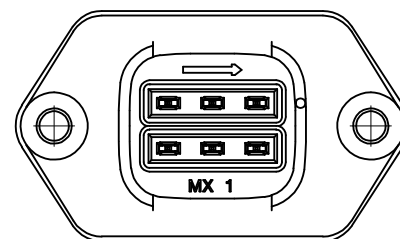
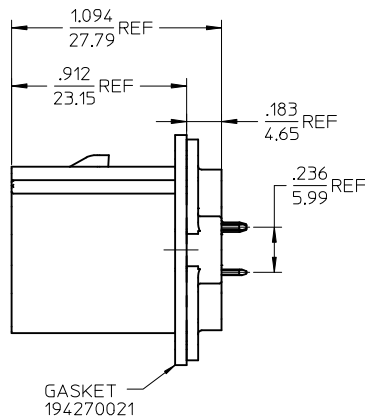
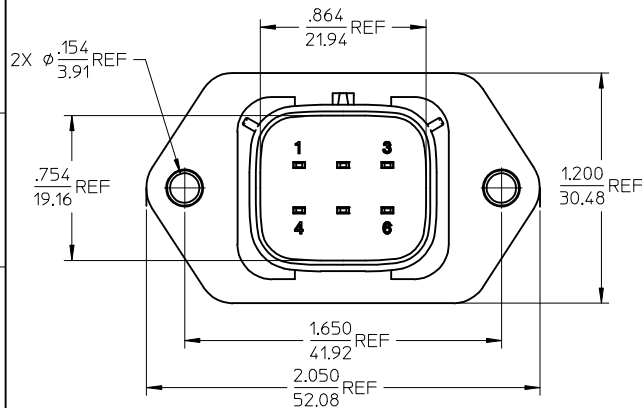


RECOMMENDED PCB LAYOUT
COMPONENT VIEW
TOLERANCES ARE NON-ACCUMULATIVE



MATERIAL NUMBER	TERMINAL PLATING
194280012	TIN
194280028	SELECT GOLD/TIN

NOTES:

- MATERIALS:
HOUSING: POLYESTER (PBT), GLASS FILLED, UL94 V-0,
COLOR: BLACK
TERMINALS: COPPER ALLOY
- FINISHES: 1. TIN ONLY: 100µM TIN OVER 50µM NICKEL
2. TIN/GOLD: 30µM SELECT GOLD (CONTACT MATING AREA),
100µM SELECT TIN (PCB TAIL AREA) OVER 50µM NICKEL OVERALL.
- PRODUCT SPECIFICATION: PS-19428-001.
- PACKAGING SPECIFICATION: PK-19428-002.
- MATES WITH: 19418 SERIES RECEPTACLE ASSEMBLIES.

PRODUCTION RELEASE EC NO: ETC2005-0213 DRWN: JPAWLICK 2005/06/10 CHKD: JPAWLICK 2005/06/14 APPR: RDEROSS 2005/06/14	QUALITY SYMBOLS	DESCRIPTION
	▽=0	
	▽=0	
	REV: A	

GENERAL TOLERANCES (UNLESS SPECIFIED)	
mm	INCH
4 PLACES ± ---	± ---
3 PLACES ± ---	± .015
2 PLACES ± 0.38	± ---
1 PLACE ± ---	± ---
ANGULAR ± 1 °	
DRAFT WHERE APPLICABLE MUST REMAIN WITHIN DIMENSIONS	

DIMENSION STYLE		SCALE		DESIGN UNITS		THIRD ANGLE PROJECTION	
IN/MM		2:1		INCH			
DRAWN BY	DATE	TITLE				SHEET NO.	
BRUPERT	04/06/16	6-WAY STRAIGHT HEADER ASSEMBLY, SHORT VERSION				1 OF 1	
CHECKED BY	DATE	APPROVED BY				MATERIAL NO.	
JPAWLICK	04/06/16	RDEROSS				04/06/16	
MATERIAL NO.		DOCUMENT NO.		MOLEX INCORPORATED			
SEE CHART		SD-19428-004		THIS DRAWING CONTAINS INFORMATION THAT IS PROPRIETARY TO MOLEX INCORPORATED AND SHOULD NOT BE USED WITHOUT WRITTEN PERMISSION			