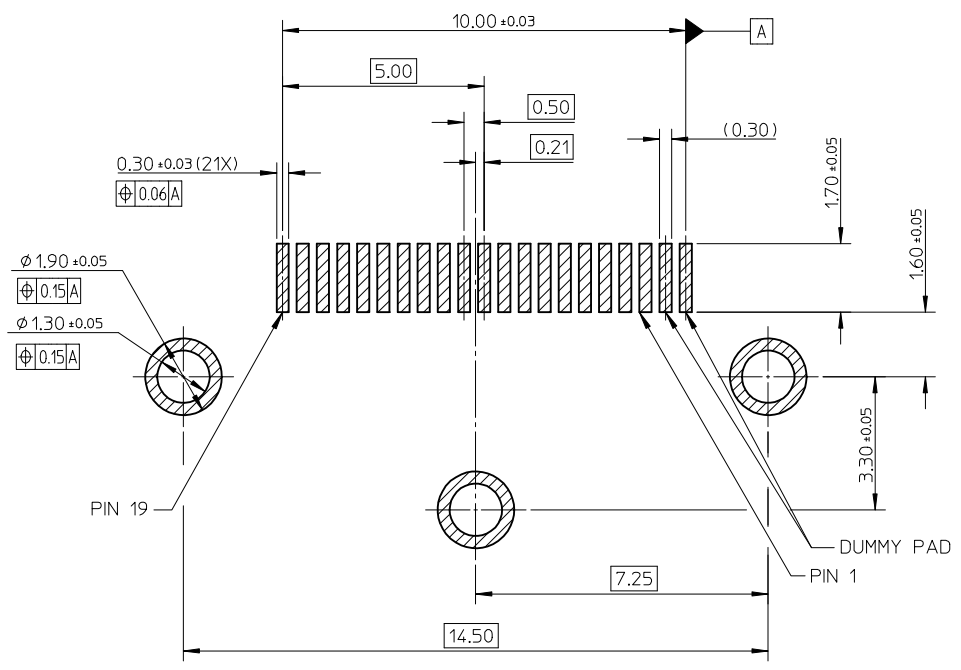
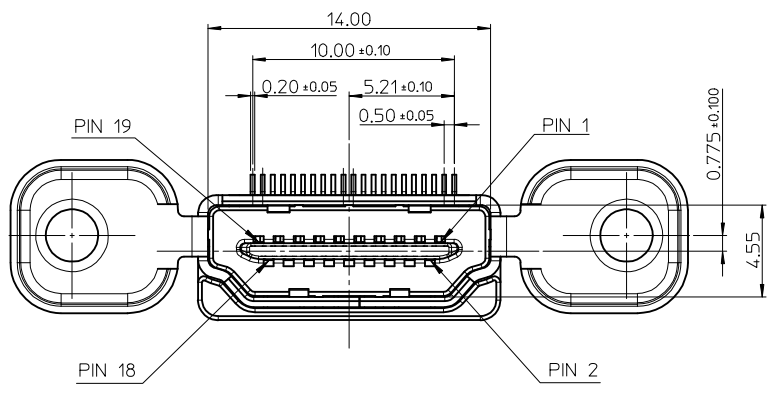


NOTES:

- MATERIAL:
 - HOUSING: GLASS FILLED HEAT RESISTED RESIN, UL94V-0.
 - TERMINAL: COPPER ALLOY.
 - SHELL: COPPER ALLOY.
 - CAP: GLASS FILLED HEAT RESISTED RESIN, UL94V-0.
- PLATING:
 - TERMINAL:
 - CONTACT AREA: GOLD FLASH PLATING,
 - SOLDER AREA: 1 MICROMETER MIN. MATTE TIN PLATING,
 - UNDERPLATE: 1 MICROMETER MIN. NICKEL PLATING OVERALL.
 - SHELL:
 - SOLDER AREA: 1 MICROMETER MIN. MATTE TIN PLATING,
 - UNDERPLATE: 1 MICROMETER MIN. NICKEL PLATING OVERALL.
- PRODUCT SPECIFICATION REFER TO PS-48307-901.
- PACKAGE REFER TO PK-48307-822.
- COPLANARITY OF SOLDER TAIL TO BE 0.1 MAX..
- THE PART CAN COMPLIANT TO ROHS DIRECTIVE 2002/95/EC AND ELV DIRECTIVE 2000/53/EC.

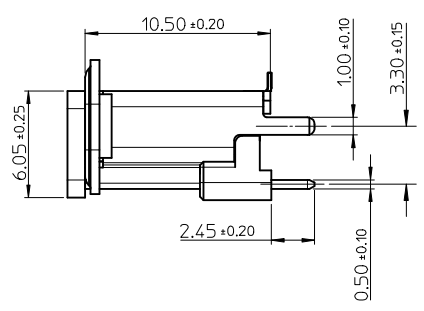
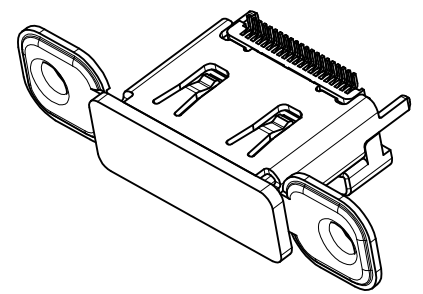
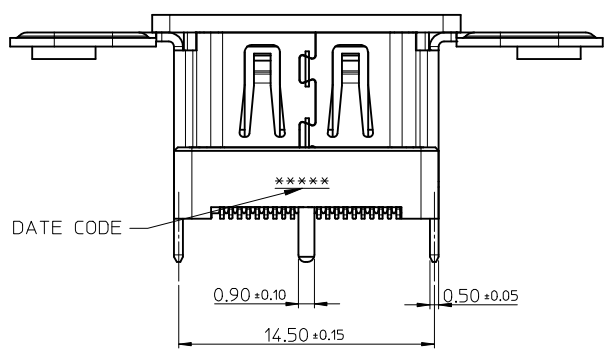
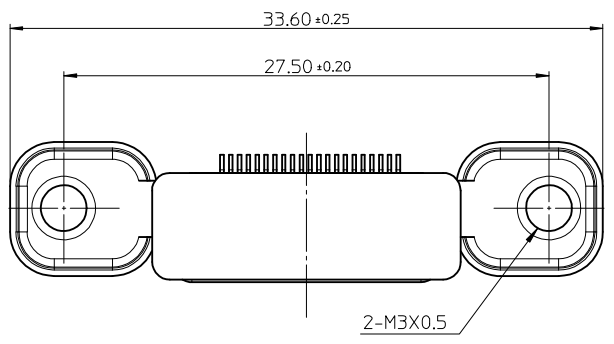
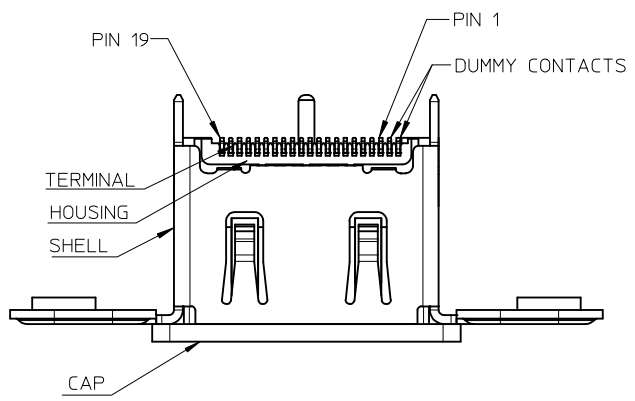
48307-8022	6T+STRUCTURE 2
48307-8012	LCP+STRUCTURE 1
PART NUMBER	CAP SOLUTION

REVISED EC NO: SH2009-0591 DRW:KWEI 2009/05/20 CHKD:RZHANG 2009/05/20 APPR:HWANG 2009/07/07	QUALITY SYMBOLS ▽=0 ◻=0	GENERAL TOLERANCES (UNLESS SPECIFIED)		DIMENSION STYLE MM ONLY		SCALE 1:10	DESIGN UNITS METRIC		THIRD ANGLE PROJECTION		
			mm	INCH	DRAWN BY	DATE	TITLE				
		4 PLACES	± ---	± ---	RZHANG	2008/08/12	SALES DRAWING VERTICAL HDMI RECEP. WITHOUT SUPPORT MOLEX INCORPORATED				
		3 PLACES	± ---	± ---	CHECKED BY	DATE					
2 PLACES	± 0.25	± ---	RZHANG	2008/08/12	MATERIAL NO. 48307-80*2						
1 PLACE	± 0.25	± ---	APPROVED BY	DATE							
ANGULAR ± ---°		DRAFT WHERE APPLICABLE MUST REMAIN WITHIN DIMENSIONS		HWANG		2008/08/12	DOCUMENT NO.		SHEET NO.		
				SIZE		THIS DRAWING CONTAINS INFORMATION THAT IS PROPRIETARY TO MOLEX INCORPORATED AND SHOULD NOT BE USED WITHOUT WRITTEN PERMISSION					



RECOMMENDED PCB LAYOUT
THICKNESS IS 1.60MM

REVISED EC NO: SH2009-0591 DRW:KWEI CHK:RZHANG APPR:HWANG	2009/05/20 2009/05/20 2009/07/07	DESCRIPTION REV	QUALITY SYMBOLS	GENERAL TOLERANCES (UNLESS SPECIFIED)	DIMENSION STYLE	SCALE	DESIGN UNITS	THIRD ANGLE PROJECTION
			▽=0 □=0	mm INCH 4 PLACES ± --- ± --- 3 PLACES ± --- ± --- 2 PLACES ± 0.25 ± --- 1 PLACE ± 0.25 ± --- ANGULAR ± ---°	MM ONLY	4:1	METRIC	
				DRAFT WHERE APPLICABLE MUST REMAIN WITHIN DIMENSIONS	DRAWN BY: RZHANG DATE: 2008/08/12 CHECKED BY: RZHANG DATE: 2008/08/12 APPROVED BY: HWANG DATE: 2008/08/12	TITLE	SALES DRAWING VERTICAL HDMI RECEPT. WITHOUT SUPPORT	
					MATERIAL NO. SEE SHEET 1 SIZE: A3 THIS DRAWING CONTAINS INFORMATION THAT IS PROPRIETARY TO MOLEX INCORPORATED AND SHOULD NOT BE USED WITHOUT WRITTEN PERMISSION	MOLEX INCORPORATED DOCUMENT NO. SD-48307-822 SHEET NO. 2 OF 2		

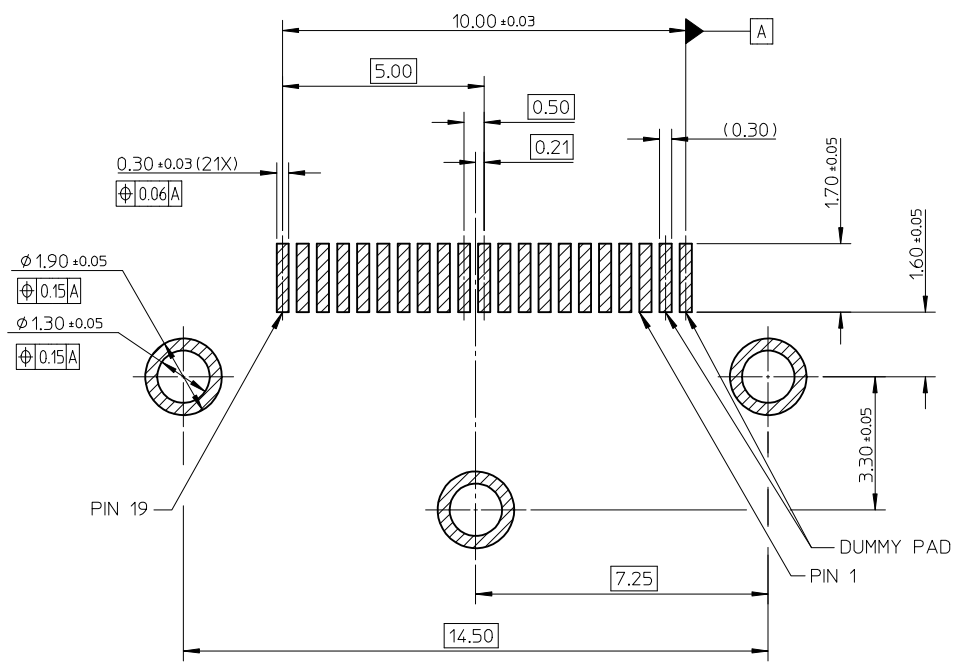
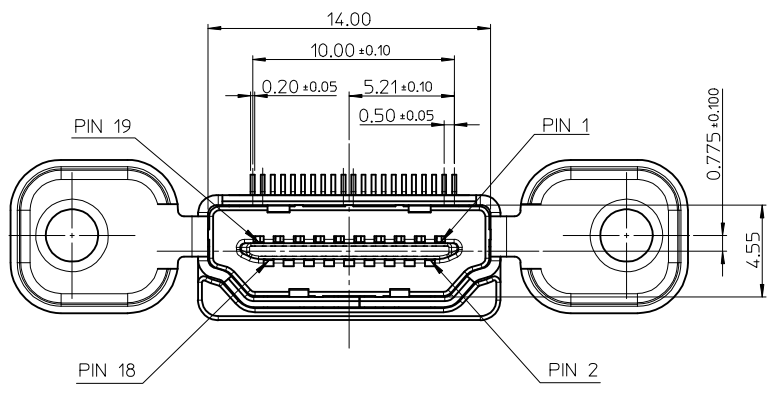


NOTES:

- MATERIAL:
 - HOUSING: GLASS FILLED HEAT RESISTED RESIN, UL94V-0.
 - TERMINAL: COPPER ALLOY.
 - SHELL: COPPER ALLOY.
 - CAP: GLASS FILLED HEAT RESISTED RESIN, UL94V-0.
- PLATING:
 - TERMINAL:
 - CONTACT AREA: GOLD FLASH PLATING,
 - SOLDER AREA: 1 MICROMETER MIN. MATTE TIN PLATING,
 - UNDERPLATE: 1 MICROMETER MIN. NICKEL PLATING OVERALL.
 - SHELL:
 - SOLDER AREA: 1 MICROMETER MIN. MATTE TIN PLATING,
 - UNDERPLATE: 1 MICROMETER MIN. NICKEL PLATING OVERALL.
- PRODUCT SPECIFICATION REFER TO PS-48307-901.
- PACKAGE REFER TO PK-48307-822.
- COPLANARITY OF SOLDER TAIL TO BE 0.1 MAX..
- THE PART CAN COMPLIANT TO ROHS DIRECTIVE 2002/95/EC AND ELV DIRECTIVE 2000/53/EC.

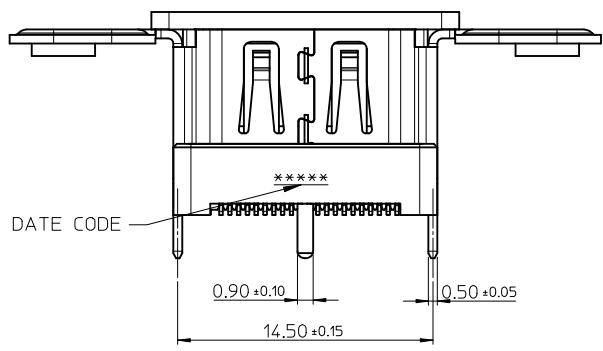
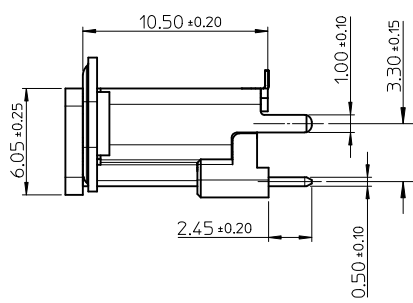
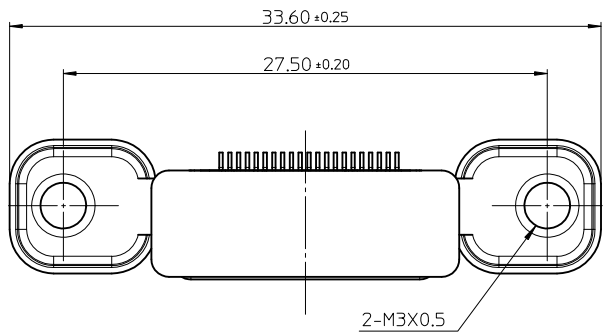
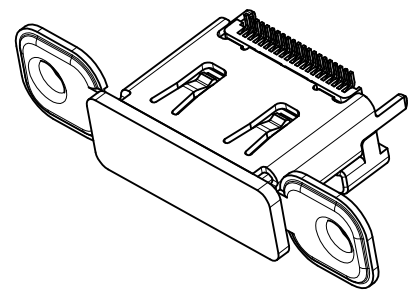
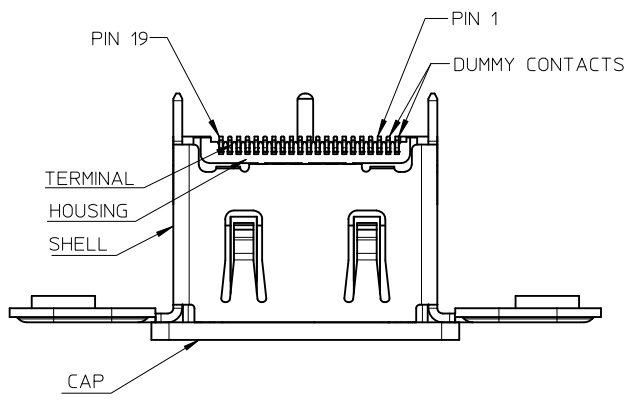
48307-8022	6T+STRUCTURE 2
48307-8012	LCP+STRUCTURE 1
PART NUMBER	CAP SOLUTION

REVISED EC NO: SH2009-0591 DRW:KWEI 2009/05/20 CHKD:RZHANG 2009/05/20 APPR:HWANG 2009/07/07	QUALITY SYMBOLS ▽=0 ◻=0	GENERAL TOLERANCES (UNLESS SPECIFIED)		DIMENSION STYLE MM ONLY		SCALE 1:10	DESIGN UNITS METRIC		THIRD ANGLE PROJECTION		
			mm	INCH	DRAWN BY	DATE	TITLE				
		4 PLACES	± ---	± ---	RZHANG	2008/08/12	SALES DRAWING VERTICAL HDMI RECEP. WITHOUT SUPPORT MOLEX INCORPORATED				
		3 PLACES	± ---	± ---	CHECKED BY	DATE					
2 PLACES	± 0.25	± ---	RZHANG	2008/08/12	MATERIAL NO. 48307-80*2						
1 PLACE	± 0.25	± ---	APPROVED BY	DATE							
ANGULAR ± ---°				HWANG	2008/08/12	DOCUMENT NO.		SD-48307-822			
DRAFT WHERE APPLICABLE MUST REMAIN WITHIN DIMENSIONS				SIZE	THIS DRAWING CONTAINS INFORMATION THAT IS PROPRIETARY TO MOLEX INCORPORATED AND SHOULD NOT BE USED WITHOUT WRITTEN PERMISSION					SHEET NO.	1 OF 2



RECOMMENDED PCB LAYOUT
THICKNESS IS 1.60MM

REVISED EC NO: SH2009-0591 DRW:KWEI CHK:RZHANG APPR:HWANG	2009/05/20 2009/05/20 2009/07/07	DESCRIPTION REV	QUALITY SYMBOLS	GENERAL TOLERANCES (UNLESS SPECIFIED)	DIMENSION STYLE	SCALE	DESIGN UNITS	THIRD ANGLE PROJECTION
			▽=0 □=0	mm INCH 4 PLACES ± --- ± --- 3 PLACES ± --- ± --- 2 PLACES ± 0.25 ± --- 1 PLACE ± 0.25 ± --- ANGULAR ± ---°	MM ONLY DRAWN BY: RZHANG DATE: 2008/08/12 CHECKED BY: RZHANG DATE: 2008/08/12 APPROVED BY: HWANG DATE: 2008/08/12	4:1	METRIC	TITLE: SALES DRAWING VERTICAL HDMI RECEPT. WITHOUT SUPPORT MOLEX INCORPORATED
			DRAFT WHERE APPLICABLE MUST REMAIN WITHIN DIMENSIONS	MATERIAL NO.: SEE SHEET 1 SIZE: A3	DOCUMENT NO.: SD-48307-822 SHEET NO.: 2 OF 2	THIS DRAWING CONTAINS INFORMATION THAT IS PROPRIETARY TO MOLEX INCORPORATED AND SHOULD NOT BE USED WITHOUT WRITTEN PERMISSION		



NOTES:

1. MATERIAL:
 - HOUSING: GLASS FILLED HEAT RESISTED RESIN, UL94V-0.
 - TERMINAL: COPPER ALLOY.
 - SHELL: COPPER ALLOY.
 - CAP: GLASS FILLED HEAT RESISTED RESIN, UL94V-0.
2. PLATING:
 - TERMINAL:
 - CONTACT AREA: GOLD FLASH PLATING,
 - SOLDER AREA: 1 MICROMETER MIN. MATTE TIN PLATING,
 - UNDERPLATE: 1 MICROMETER MIN. NICKEL PLATING OVERALL.
 - SHELL:
 - SOLDER AREA: 1 MICROMETER MIN. MATTE TIN PLATING,
 - UNDERPLATE: 1 MICROMETER MIN. NICKEL PLATING OVERALL.
3. PRODUCT SPECIFICATION REFER TO PS-48307-901.
4. PACKAGE REFER TO PK-48307-822.
5. COPLANARITY OF SOLDER TAIL TO BE 0.1 MAX..
6. THE PART CAN COMPLIANT TO ROHS DIRECTIVE 2002/95/EC AND ELV DIRECTIVE 2000/53/EC.

48307-8022	6T+STRUCTURE 2
48307-8012	LCP+STRUCTURE 1
PART NUMBER	CAP SOLUTION

REVISED EC NO: SH2010-0272 DRWN: KCWEI CHKD: RZHANG APPR: XJ.SONG	2010/01/19 2010/01/20 2010/01/25	DESCRIPTION REV	QUALITY SYMBOLS	GENERAL TOLERANCES (UNLESS SPECIFIED) 4 PLACES ± --- ± --- 3 PLACES ± --- ± --- 2 PLACES ± --- ± --- 1 PLACE ± --- ± --- ANGULAR ± --- ° DRAFT WHERE APPLICABLE MUST REMAIN WITHIN DIMENSIONS	DIMENSION STYLE	SCALE	DESIGN UNITS	THIRD ANGLE PROJECTION
			mm		INCH	3.5:1	METRIC	☉
			DRAWN BY		DATE	TITLE	SALES DRAWING VERTICAL HDMI RECEPT. WITHOUT SUPPORT	
			RZHANG		2008/08/12			
		CHECKED BY	DATE	MOLEX INCORPORATED DOCUMENT NO. SD-48307-822 SHEET NO. 1 OF 2				
		RZHANG	2008/08/12					
		APPROVED BY	DATE	THIS DRAWING CONTAINS INFORMATION THAT IS PROPRIETARY TO MOLEX INCORPORATED AND SHOULD NOT BE USED WITHOUT WRITTEN PERMISSION				
		HWWANG	2008/08/12					
		MATERIAL NO.						
		48307-80*2						

10 9 8 7 6 5 4 3 2 1

F F

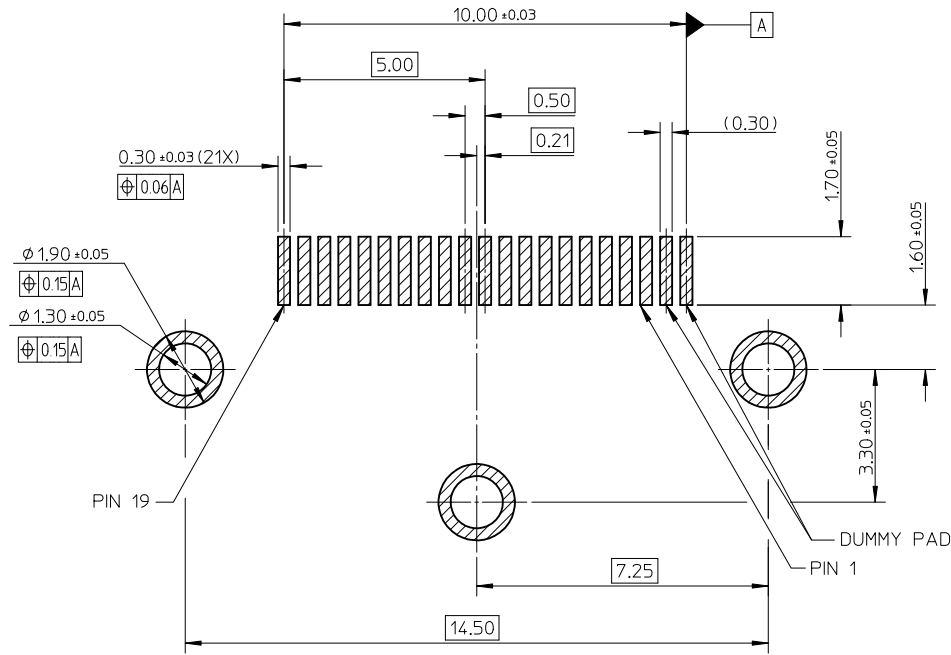
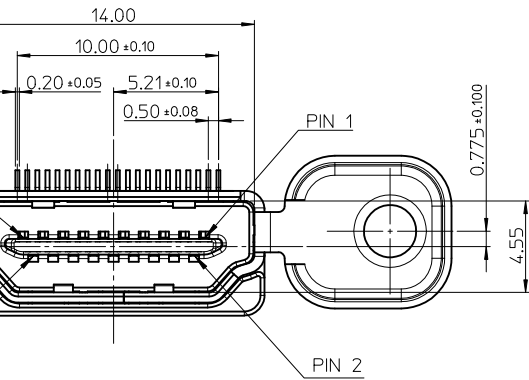
E E

D D

C C

B B

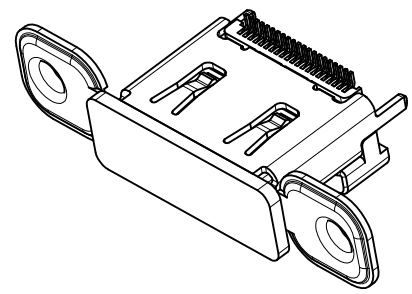
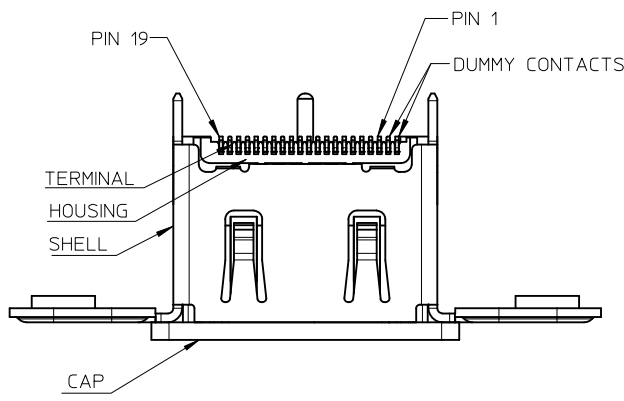
A A



RECOMMENDED PCB LAYOUT
THICKNESS IS 1.60MM

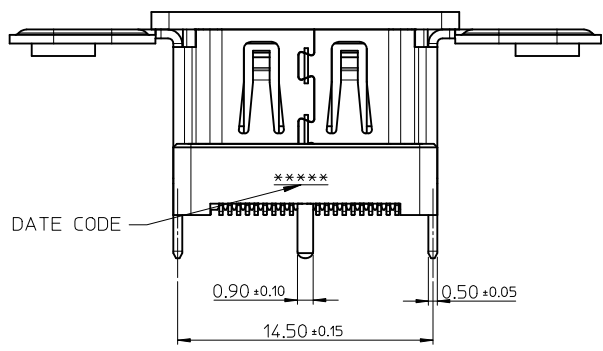
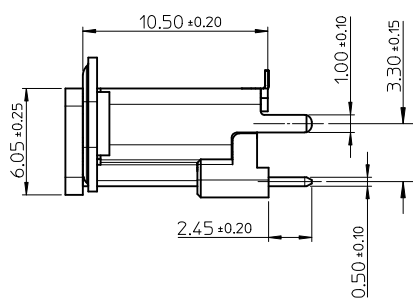
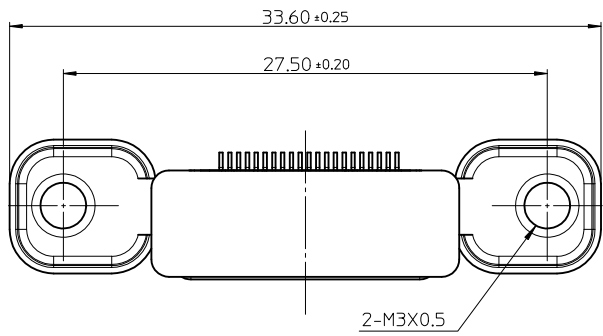
REVISED EC NO: SH2010-0272 DRW: KWWEI CHK: RZHANG APPR: XJSONG	DESCRIPTION REV	QUALITY SYMBOLS ▽=0 ◻=0	GENERAL TOLERANCES (UNLESS SPECIFIED)		DIMENSION STYLE MM ONLY	SCALE 4:1	DESIGN UNITS METRIC	THIRD ANGLE PROJECTION			
			mm	INCH	DRAWN BY RZHANG	DATE 2008/08/12	TITLE SALES DRAWING VERTICAL HDMI RECEPT. WITHOUT SUPPORT				
			4 PLACES	± ---	± ---	CHECKED BY RZHANG	DATE 2008/08/12	MOLEX INCORPORATED			
			3 PLACES	± ---	± ---	APPROVED BY HWWANG	DATE 2008/08/12	DOCUMENT NO. SD-48307-822			
			2 PLACES	± ---	± ---	MATERIAL NO. 9999999999		SHEET NO. 2 OF 2			
			1 PLACE	± ---	± ---	THIS DRAWING CONTAINS INFORMATION THAT IS PROPRIETARY TO MOLEX INCORPORATED AND SHOULD NOT BE USED WITHOUT WRITTEN PERMISSION					
			ANGULAR ± ---°								
			DRAFT WHERE APPLICABLE MUST REMAIN WITHIN DIMENSIONS								

9 8 7 6 5 4 3 2 1



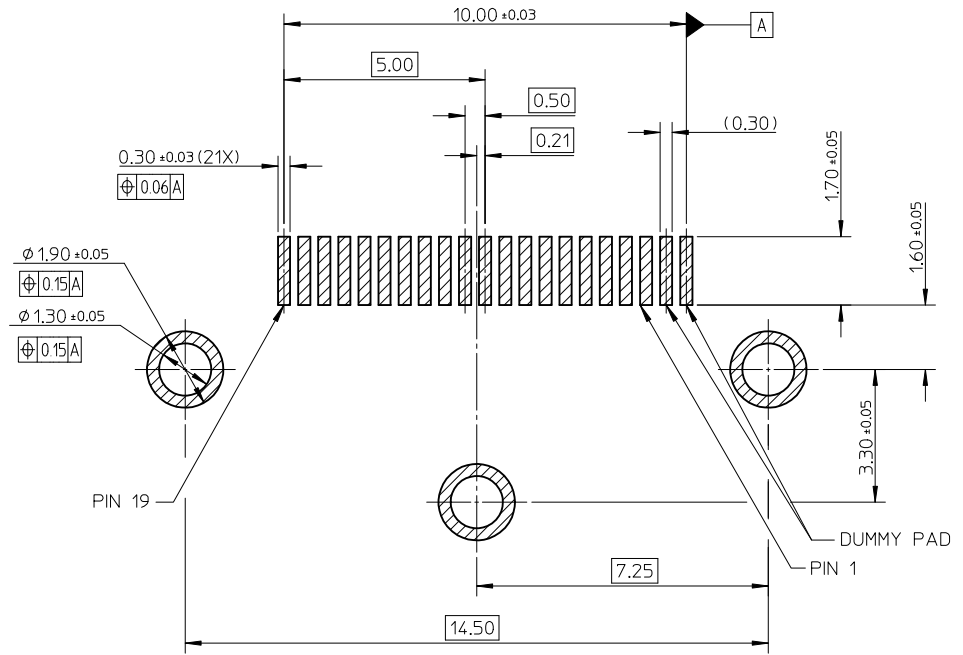
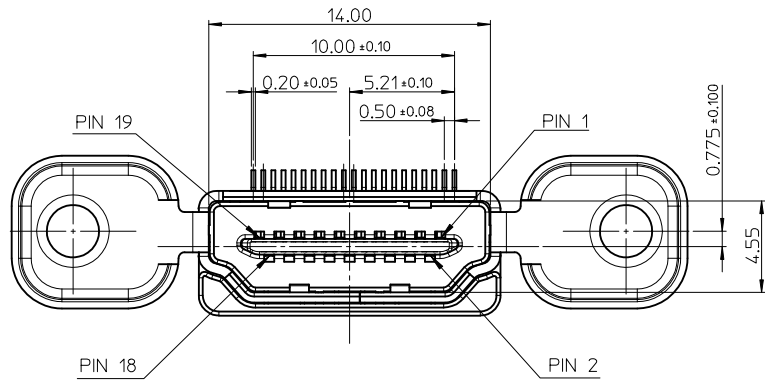
NOTES:

1. MATERIAL:
 HOUSING: GLASS FILLED HEAT RESISTED RESIN, UL94V-0.
 TERMINAL: COPPER ALLOY.
 SHELL: COPPER ALLOY.
 CAP: GLASS FILLED HEAT RESISTED RESIN, UL94V-0.
2. PLATING:
 TERMINAL:
 CONTACT AREA: GOLD FLASH PLATING,
 SOLDER AREA: 1 MICROMETER MIN. MATTE TIN PLATING,
 UNDERPLATE: 1 MICROMETER MIN. NICKEL PLATING OVERALL.
 SHELL:
 SOLDER AREA: 1 MICROMETER MIN. MATTE TIN PLATING,
 UNDERPLATE: 1 MICROMETER MIN. NICKEL PLATING OVERALL.
3. PRODUCT SPECIFICATION REFER TO PS-48307-901.
4. PACKAGE REFER TO PK-48307-822.
5. COPLANARITY OF SOLDER TAIL TO BE 0.1 MAX..
6. THE PART CAN COMPLIANT TO ROHS DIRECTIVE 2002/95/EC AND ELV DIRECTIVE 2000/53/EC.



48307-8022	6T+STRUCTURE 2
48307-8012	LCP+STRUCTURE 1
PART NUMBER	CAP SOLUTION

REVISED EC NO: SH2010-0272 DRWN: KCWEI CHKD: RZHANG APPR: XJ.SONG	2010/01/19 2010/01/20 2010/01/25	DESCRIPTION REV	QUALITY SYMBOLS	GENERAL TOLERANCES (UNLESS SPECIFIED) 4 PLACES ± --- ± --- 3 PLACES ± --- ± --- 2 PLACES ± --- ± --- 1 PLACE ± --- ± --- ANGULAR ± --- ° DRAFT WHERE APPLICABLE MUST REMAIN WITHIN DIMENSIONS	DIMENSION STYLE	SCALE	DESIGN UNITS	THIRD ANGLE PROJECTION	
			mm		INCH	MM ONLY	3.5:1	METRIC	☉
			DRAWN BY		DATE	TITLE			
			DATE		DATE	SALES DRAWING VERTICAL HDMI RECEPT. WITHOUT SUPPORT			
				APPROVED BY	DATE	MOLEX MOLEX INCORPORATED			
				DATE	DATE	DOCUMENT NO. SD-48307-822			
				MATERIAL NO.		SHEET NO. 1 OF 2			
				SIZE		THIS DRAWING CONTAINS INFORMATION THAT IS PROPRIETARY TO MOLEX INCORPORATED AND SHOULD NOT BE USED WITHOUT WRITTEN PERMISSION			



RECOMMENDED PCB LAYOUT
THICKNESS IS 1.60MM

REVISED EC NO: SH2010-0272 DRW: KWWEI CHK: RZHANG APPR: XJSONG	DESCRIPTION REV	QUALITY SYMBOLS	GENERAL TOLERANCES (UNLESS SPECIFIED)	DIMENSION STYLE MM ONLY	SCALE 4:1	DESIGN UNITS METRIC	THIRD ANGLE PROJECTION																																						
		<p>▽=0</p> <p>∇=0</p>	<table border="1"> <thead> <tr> <th></th> <th>mm</th> <th>INCH</th> </tr> </thead> <tbody> <tr> <td>4 PLACES</td> <td>± ---</td> <td>± ---</td> </tr> <tr> <td>3 PLACES</td> <td>± ---</td> <td>± ---</td> </tr> <tr> <td>2 PLACES</td> <td>± ---</td> <td>± ---</td> </tr> <tr> <td>1 PLACE</td> <td>± ---</td> <td>± ---</td> </tr> <tr> <td colspan="3">ANGULAR ± ---°</td> </tr> </tbody> </table>		mm	INCH	4 PLACES	± ---	± ---	3 PLACES	± ---	± ---	2 PLACES	± ---	± ---	1 PLACE	± ---	± ---	ANGULAR ± ---°			<table border="1"> <thead> <tr> <th>DRAWN BY</th> <th>DATE</th> <th>TITLE</th> </tr> </thead> <tbody> <tr> <td>RZHANG</td> <td>2008/08/12</td> <td rowspan="4">SALES DRAWING VERTICAL HDMI RECEPT. WITHOUT SUPPORT MOLEX INCORPORATED</td> </tr> <tr> <td>CHECKED BY</td> <td>DATE</td> </tr> <tr> <td>RZHANG</td> <td>2008/08/12</td> </tr> <tr> <td>APPROVED BY</td> <td>DATE</td> </tr> <tr> <td colspan="2">MATERIAL NO.</td> <td>DOCUMENT NO.</td> </tr> <tr> <td colspan="2">9999999999</td> <td>SD-48307-822</td> </tr> </tbody> </table>	DRAWN BY	DATE	TITLE	RZHANG	2008/08/12	SALES DRAWING VERTICAL HDMI RECEPT. WITHOUT SUPPORT MOLEX INCORPORATED	CHECKED BY	DATE	RZHANG	2008/08/12	APPROVED BY	DATE	MATERIAL NO.		DOCUMENT NO.	9999999999		SD-48307-822	<table border="1"> <thead> <tr> <th>SIZE</th> <th>SHEET NO.</th> </tr> </thead> <tbody> <tr> <td>A3</td> <td>2 OF 2</td> </tr> </tbody> </table>	SIZE	SHEET NO.	A3	2 OF 2
			mm	INCH																																									
		4 PLACES	± ---	± ---																																									
3 PLACES	± ---	± ---																																											
2 PLACES	± ---	± ---																																											
1 PLACE	± ---	± ---																																											
ANGULAR ± ---°																																													
DRAWN BY	DATE	TITLE																																											
RZHANG	2008/08/12	SALES DRAWING VERTICAL HDMI RECEPT. WITHOUT SUPPORT MOLEX INCORPORATED																																											
CHECKED BY	DATE																																												
RZHANG	2008/08/12																																												
APPROVED BY	DATE																																												
MATERIAL NO.		DOCUMENT NO.																																											
9999999999		SD-48307-822																																											
SIZE	SHEET NO.																																												
A3	2 OF 2																																												
DRAFT WHERE APPLICABLE MUST REMAIN WITHIN DIMENSIONS			THIS DRAWING CONTAINS INFORMATION THAT IS PROPRIETARY TO MOLEX INCORPORATED AND SHOULD NOT BE USED WITHOUT WRITTEN PERMISSION																																										