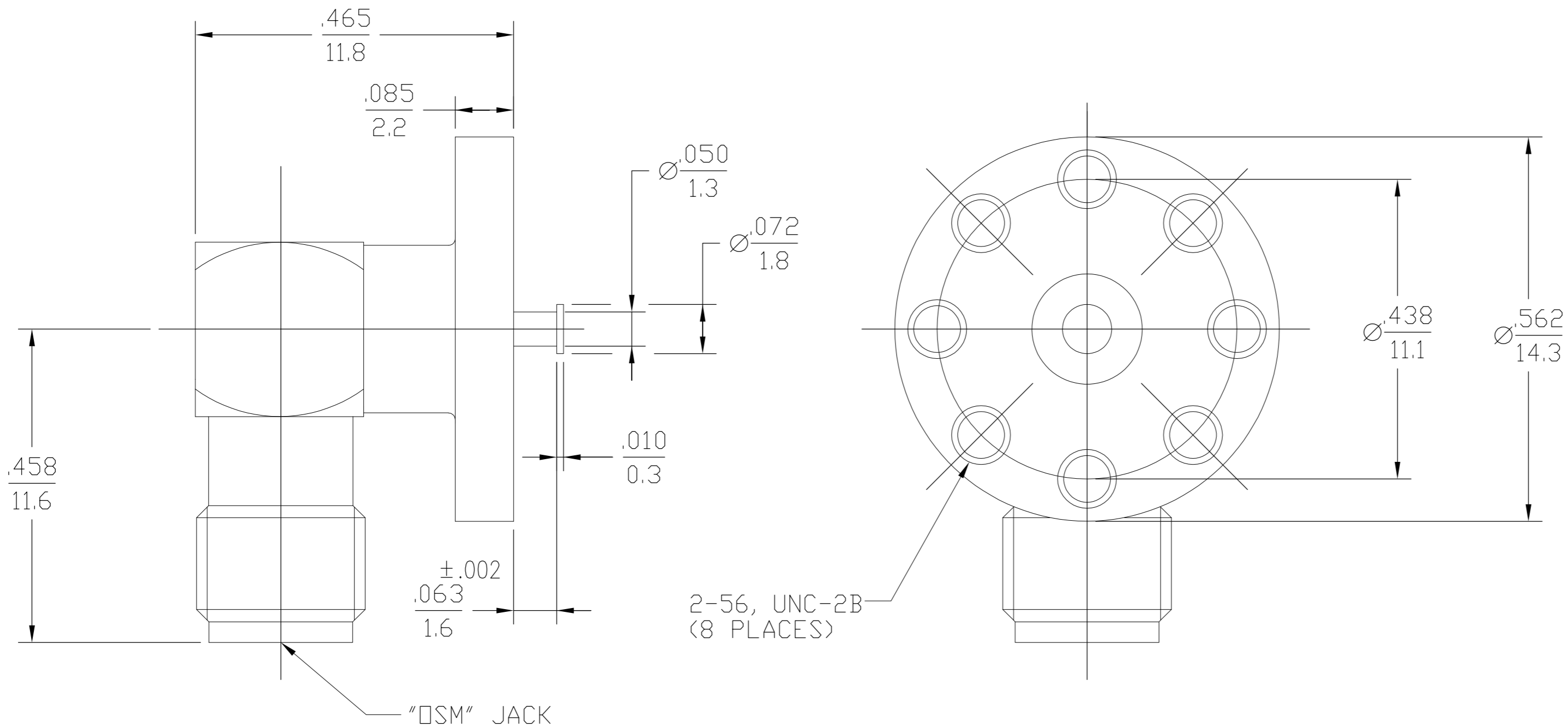


THIS DRAWING IS UNPUBLISHED. RELEASED FOR PUBLICATION  
 © COPYRIGHT BY TYCO ELECTRONICS CORPORATION. ALL RIGHTS RESERVED.

LOC	DIST	REVISIONS					
AJ	00	P	LTR	DESCRIPTION	DATE	DWN	APVD
		B		REV PER ECO 07-004710	3/2/2007	DW	KW



"OSM" JACK

2-56, UNC-2B  
(8 PLACES)

1053438-1  
PART NUMBER

HOUSING CAP	STAINLESS STEEL PER ASTM-A484 AND ASTM-A582, TYPE 303	GOLD PLATE PER MIL-G-45204
DIELECTRIC	TFE FLUOROCARBON PER ASTM-D-1457	N/A
CENTER CONTACT CONTACT EXT.	BERYLLIUM COPPER PER ASTM-B-196 OR ASTM-B-197, ALLOY C17300, CONDITION H OR BRASS PER ASTM-B-16	GOLD PLATE PER MIL-G-45204
COMPONENT	MATERIAL	FINISH

NOTES:  
 1. DESIGNED FOR 1/16" THICK GROUND PLANE SPACING.

.XXX = in  
 XX.X = mm (REF)

THIS DRAWING IS A CONTROLLED DOCUMENT.		DWN	DRF	11/18/77	Tyco Electronics Corporation Harrisburg, PA 17105-3608
DIMENSIONS: INCHES		CHK	KWW	11/18/77	
TOLERANCES UNLESS OTHERWISE SPECIFIED:		APVD	RMF	11/18/77	
0 PLC ± - 1 PLC ± - 2 PLC ± - 3 PLC ± .005 4 PLC ± - ANGLES ± 1°		PRODUCT SPEC		NAME	
MATERIAL	FINISH	APPLICATION SPEC		OSM RIGHT ANGLE SURFACE LAUNCH JACK TURRET TERIMAL	
-	-	WEIGHT	-	SIZE	A2
CUSTOMER DRAWING		SCALE		CAGE CODE	00779
		SHEET		DRAWING NO	C=1053438
		1 OF 1		RESTRICTED TO	-
		REV		B	