

# PMCE-XXXX EMI/RFI COMMON MODE LINE FILTERS

RoHS

## MEDIUM & HI POWER

- \* Rated Voltage: 250Vac, 45/400Hz
- \*  $\leq 50^{\circ}\text{C}$  Temp Rise & Rated Current <sup>(1)</sup>
- \* Operating Temp -40 to +80 °C

- \* Low Profile Construction
- \* 3750Vrms Isolation
- \* Insulation Resistance @ 500Vdc >100MW

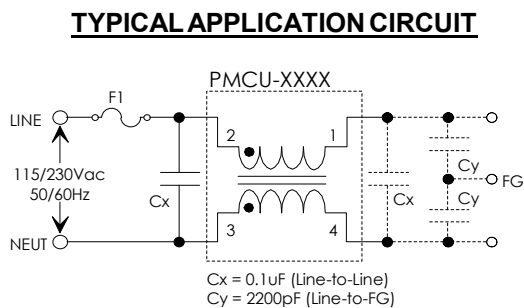
## ELECTRICAL SPECIFICATIONS AT 25°C - OPERATING TEMPERATURE RANGE -40°C TO +80°C

| PART NUMBER | RATED RMS Current<br>Amps rms | Load VA @ RMS Line |        | INDUCTANCE @ 1KHz<br>(mH Min.) | DCR EACH WINDING<br>(Ohms Max.) | PACKAGE |
|-------------|-------------------------------|--------------------|--------|--------------------------------|---------------------------------|---------|
|             |                               | 115V               | 230V   |                                |                                 |         |
| PMCE-0470   | 0.75                          | 86.25              | 172.50 | 47.0                           | 0.720                           | E25.4   |
| PMCE-0330   | 1.00                          | 115.00             | 230.00 | 33.0                           | 0.550                           | E25.4   |
| PMCE-0160   | 1.50                          | 172.50             | 345.00 | 16.0                           | 0.250                           | E25.4   |
| PMCE-0100   | 1.75                          | 201.25             | 402.50 | 10.0                           | 0.170                           | E25.4   |
| PMCE-0056   | 2.25                          | 258.75             | 517.50 | 5.6                            | 0.080                           | E25.4   |
| PMCE-0033   | 2.75                          | 316.25             | 632.50 | 3.3                            | 0.055                           | E25.4   |
| PMCE-0015   | 3.50                          | 402.50             | 805.00 | 1.5                            | 0.032                           | E25.4   |
| PMCE-3470   | 1.75                          | 201.25             | 402.5  | 47.0                           | 0.520                           | E35     |
| PMCE-3330   | 2.00                          | 230.00             | 460.00 | 33.0                           | 0.375                           | E35     |
| PMCE-3220   | 2.50                          | 316.25             | 632.50 | 22.0                           | 0.250                           | E35     |
| PMCE-3100   | 3.50                          | 402.50             | 805.00 | 10.0                           | 0.150                           | E35     |
| PMCE-3056   | 4.50                          | 517.50             | 1035.0 | 5.6                            | 0.090                           | E35     |
| PMCE-3033   | 5.50                          | 632.50             | 1265.0 | 3.3                            | 0.050                           | E35     |
| PMCE-3015   | 7.00                          | 805.00             | 1610.0 | 1.5                            | 0.030                           | E35     |

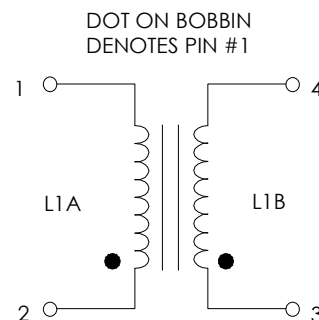
Notes:

- (1) Temperature Rise is specified at maximum continuous current. Lower currents will result in reduced temperature rise. Design point is  $\leq 50^{\circ}\text{C}$  rise at rated current.

## APPLICATION



## SCHEMATIC



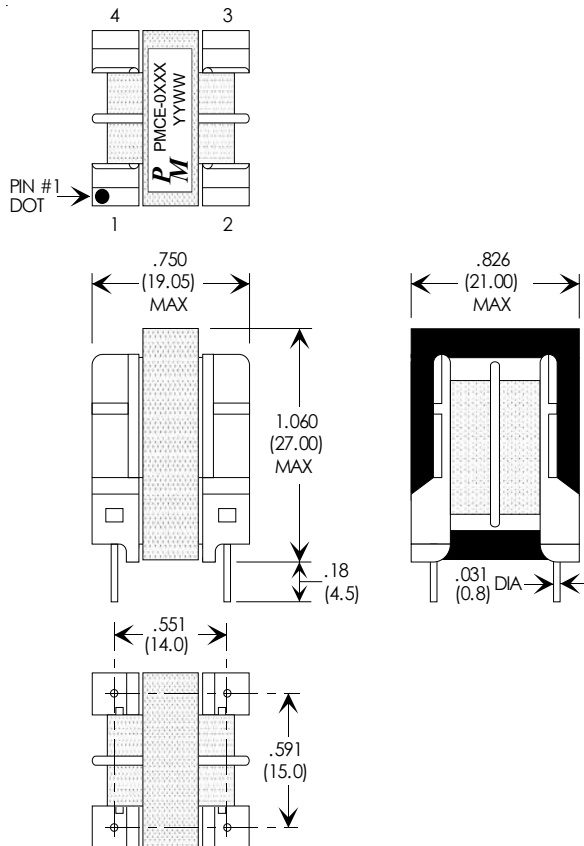
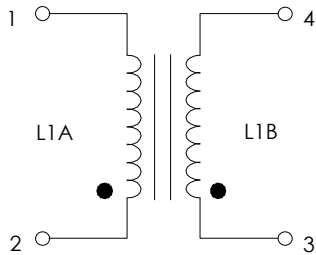
# PMCE-XXXX EMI/RFI COMMON MODE LINE FILTERS

## PMCE-0XXX E25.4

### Dimensions in inches (mm)

PART IS REVERSIBLE.  
IT CAN BE INSERTED INTO PCB EITHER WAY.

DOT ON BOBBIN  
DENOTES PIN #1



## PMCE-3XXX E35

### Dimensions in inches (mm)

PART IS REVERSIBLE.  
IT CAN BE INSERTED INTO PCB EITHER WAY.

DOT ON BOBBIN  
DENOTES PIN #1

