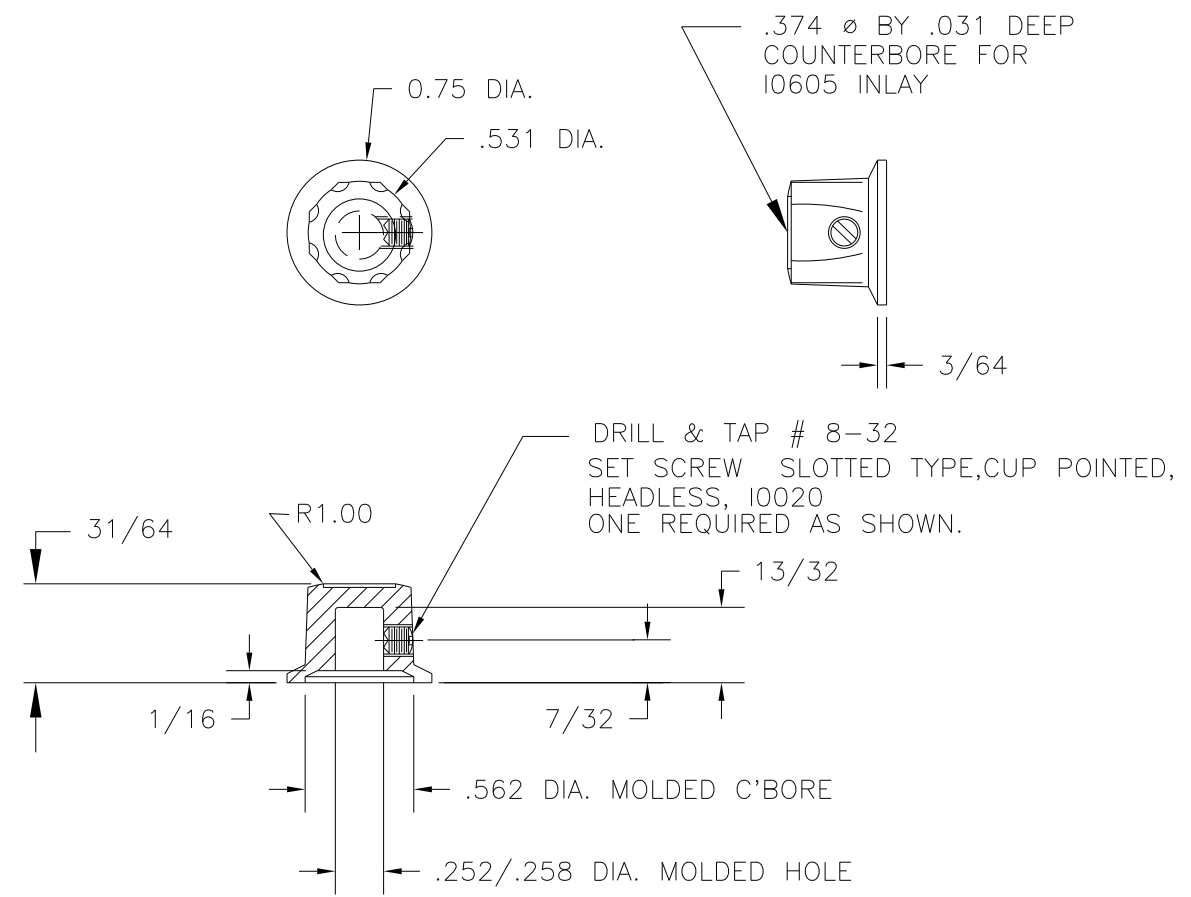


PART NAME: KNOB      SCALE: 1:1      DATE: 3/7/96      DR. BY RF

DAVIES MOLDING COMPANY  
CAROL STREAM, ILLINOIS 60188

P/N	1910CQ
BASE PART	1910-08
SET SCREW	I0020
INLAY	I0605

THIS DRAWING IS THE PROPERTY OF DAVIES MOLDING COMPANY, IS SUBMITTED SOLELY AS A DESIGN OR ENGINEERING PROJECT. WE ACCEPT NO RESPONSIBILITY WHATSOEVER FOR THE PRACTICAL APPLICATION OF THE PIECES MADE TO THIS DESIGN.



NOTE: THERE ARE ONLY 24 1910SS CAVITIES.

MATERIAL: G.P. PHENOLIC (B11)  
COLOR: BLACK

TOLERANCES: UNLESS OTHERWISE SPECIFIED	DO NOT SCALE DRAWING			
DECIMALS: X.XXX ± .005 X.XX  ± .015	MM: X.XX ± 0.15MM X.X  ± 0.4MM	-	UPDATED/HAD TOOLBOX	EV. 8/15/02
FRACTIONS ± 1/64	ANG. ± 1°	CHANGES		