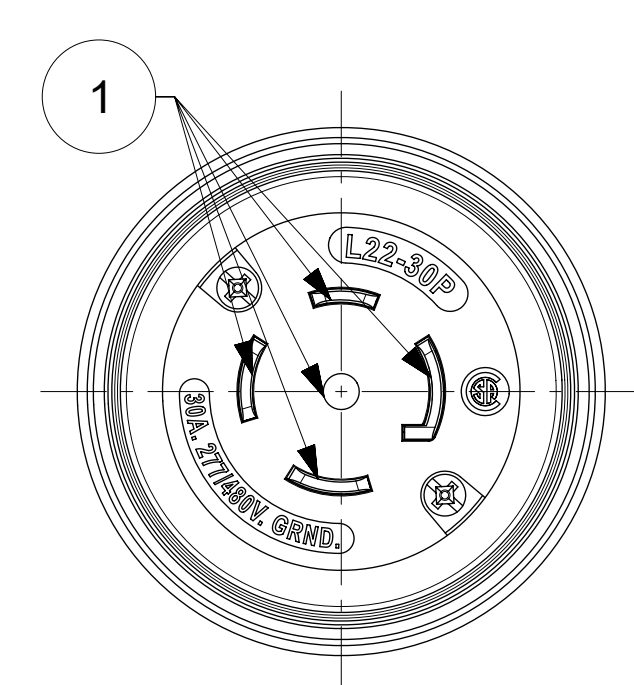
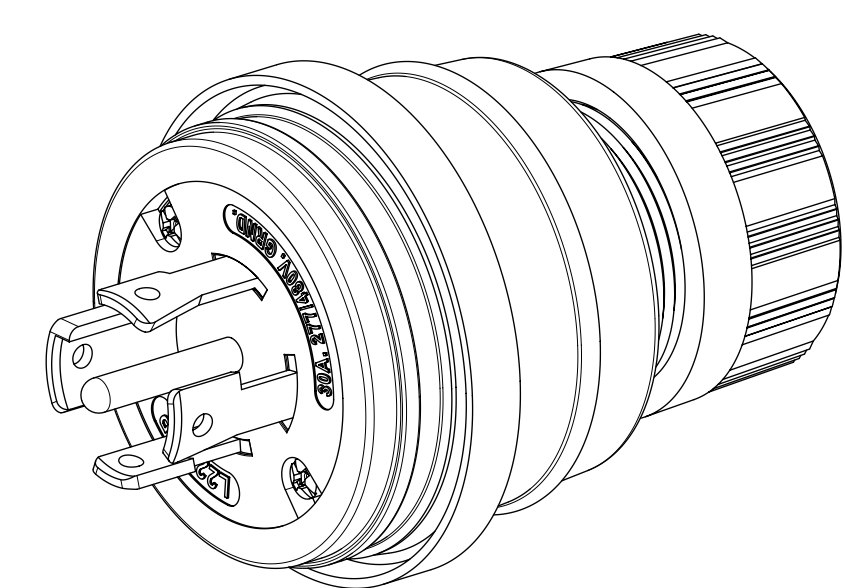
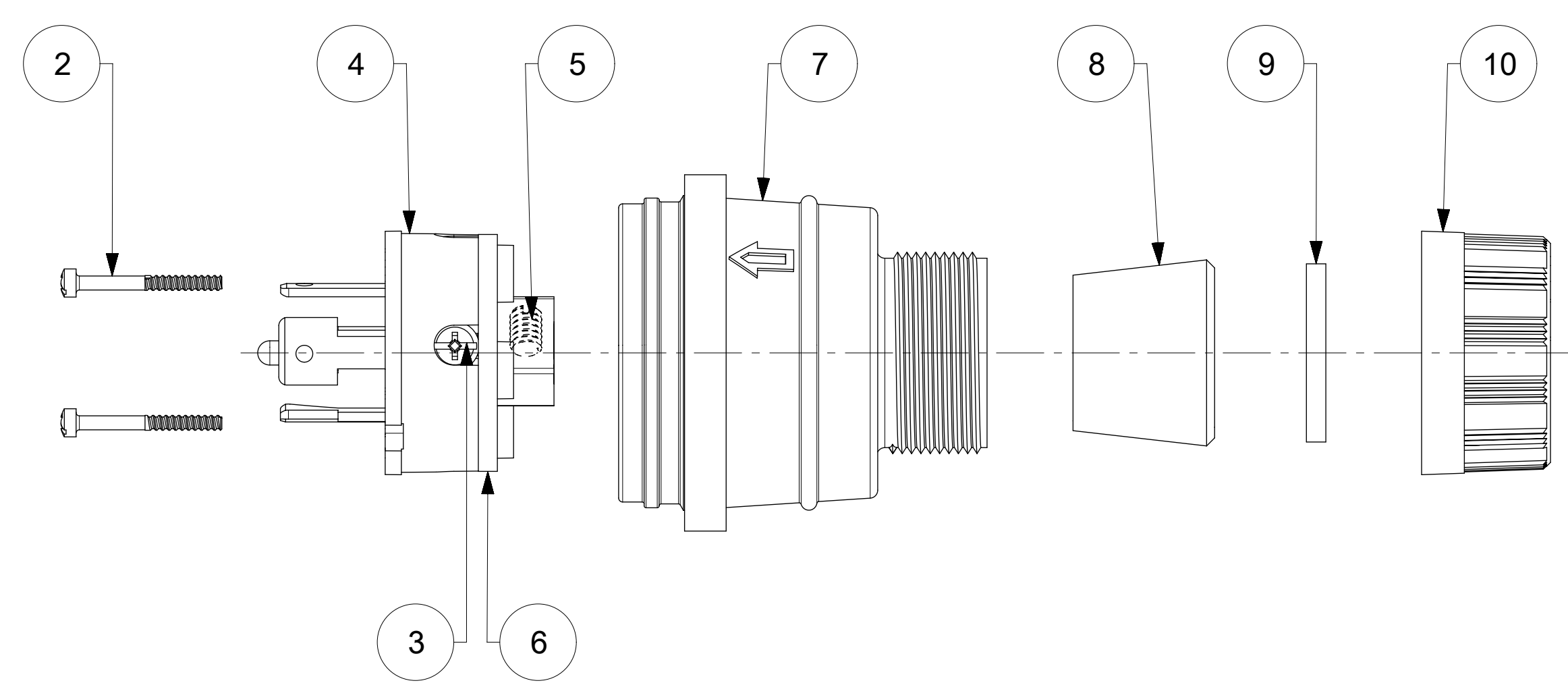
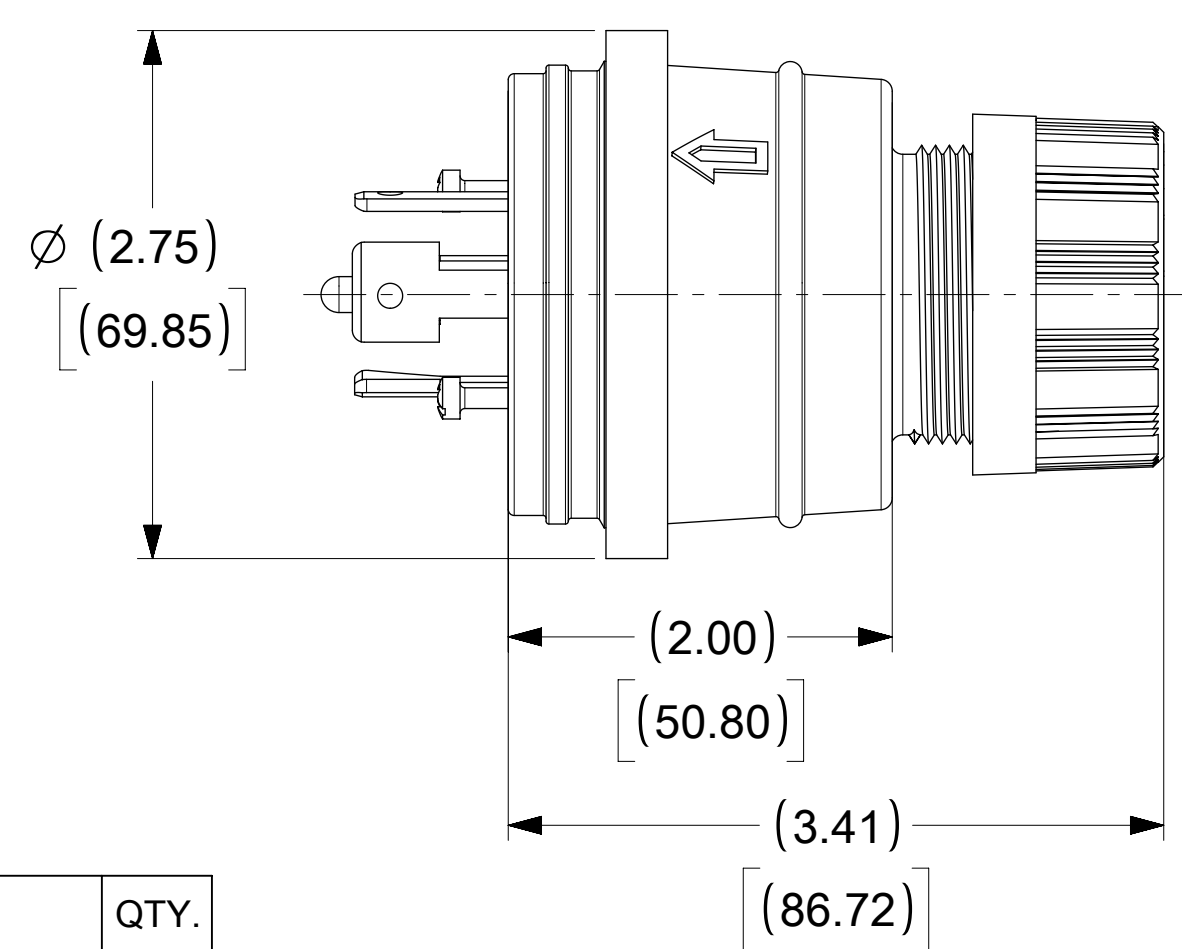


ORDER NO.	WOODHEAD NO.	COLOR
130147-0288	28W82-P	YELLOW



FACE VIEW



ITEM NO.	DESCRIPTIONS	MATERIAL	QTY.
1	BLADE	BRASS, NICKEL PLATED	5
2	RETAINING SCREWS	STAINLESS STEEL	2
3	CLAMP AND TERMINAL SCREW ASSY	BRASS, ZINC PLATED	4
4	INSERT	NYLON	1
5	SET SCREW	STAINLESSSTEEL	1
6	TERMINAL COVER	POLYCARBONATE	1
7	HOUSING	SILICON WITH NYLON THREAD	1
8	GROMMET	RUBBER	1
9	FRICTION RING	NYLON	1
10	COMPRESSION NUT	NYLON	1

SYMBOLS		THIS DRAWING CONTAINS INFORMATION THAT IS PROPRIETARY TO MOLEX ELECTRONIC TECHNOLOGIES, LLC AND SHOULD NOT BE USED WITHOUT WRITTEN PERMISSION		CURRENT REV DESC: RELEASED		
▽ = 0	INCH[MM]	SCALE	NTS			
▽ = 0	GENERAL TOLERANCES (UNLESS SPECIFIED)		EC NO: 614381 DRWN: DSOPPIN 2018/12/26 CHK'D: DNGUYEN62 2019/04/16 APPR: HKNEELAND 2019/04/25			
▽ = 0		MM	INCH			
▽ = 0	4 PLACES	±	±			
▽ = 0	3 PLACES	±	±	INITIAL REVISION: DRWN: DSOPPIN 2018/12/26 APPR: HKNEELAND 2019/04/25		
▽ = 0	2 PLACES	±	±	DOCUMENT NUMBER: 1301470288 DOC TYPE: PSD DOC PART: 000 REVISION: A		
▽ = 0	1 PLACE	±	±	MATERIAL NUMBER: SEE TABLE CUSTOMER: GENERAL MARKET SHEET NUMBER: 1 OF 1		
▽ = 0	0 PLACES	±	±	DRAFT WHERE APPLICABLE MUST REMAIN WITHIN DIMENSIONS THIRD ANGLE PROJECTION DRAWING: C-SIZE SERIES: 130147		