

MATERIAL NO.	ENGINEERING NO.	FINISHED LENGTH
1300620278	114130K21M010	3 FT 3.3 IN (1M)
1300621176	114130K21M400	131 FT 2.7 IN (40 M)
1300621187	114130K21M800	262 FT. 5.5 IN (80 M)

CABLE LENGTH TOLERANCES

<.3M [1FT]: +19mm-0 [+.75in-0]

.3 - .9M [1 - 3FT]: +44.5mm-0 [+1.75in-0]

.9 - 1.8M [3 - 6FT]: +55.6mm-0 [+2.19in-0]

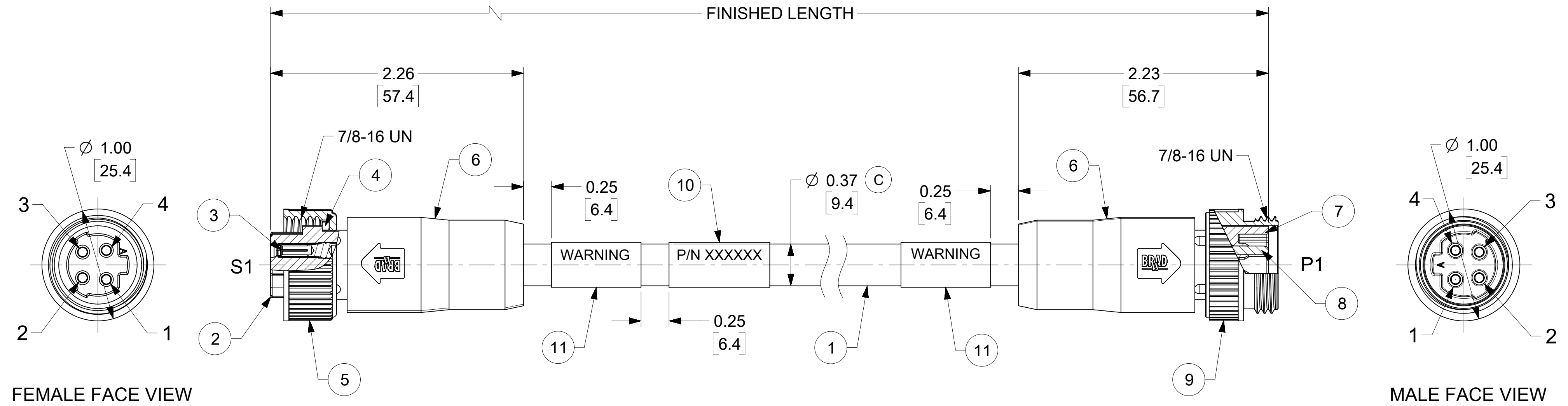
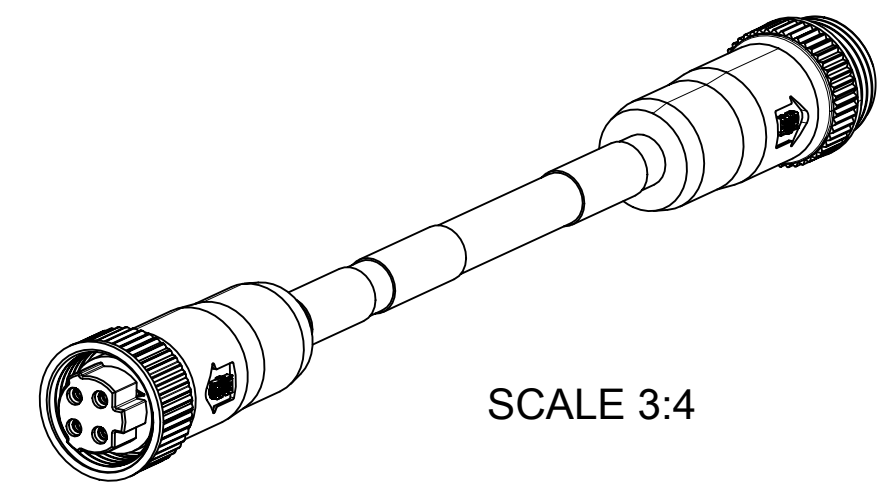
1.8 - 3.7M [6 - 12FT]: +88.9mm-0 [+3.50in-0]

3.7 - 7.3M [12 - 24FT]: +165.1mm-0 [+6.50in-0]

7.3-14.6M [24 - 48FT]: +317.5mm-0 [+12.50in-0]

14.6 - 30.5M [48-100FT]: +622.3mm-0 [+24.50in-0]

OVER 30M [100FT] +2% OF FINISHED LENGTH



- NOTES:**
- MATERIAL: AS NOTED
 - FINISH: AS NOTED
 - ELECTRICAL:
 - VOLTAGE: 483V PER IEC60664
 - 600V PER UL2237
 - CURRENT: 15A
 - TEMP RATING: -20°C TO +90°C
 - PROTECTION: IP67 (WHEN MATED)
 - UL LISTED FILE: E258922
 - ALL DIMS ARE FOR REFERENCE UNLESS TOLERANCED OR NOTED OTHERWISE

WIRING DIAGRAM

S1		P1
1	BLACK #1	1
2	BLACK #2	2
3	BLACK #3	3
4	GREEN/YELLOW	4

PART NUMBER LEGEND

114130K21M010

FINISHED LENGTH
 M001 = 0.1 METER
 M010 = 1 METER
 M100 = 10 METER

ITEM	DESCRIPTION	MATERIAL	FINISH
11	WARNING LABEL	VINYL	BLACK/ORANGE
10	WRAP LABEL	VINYL	BLACK/YELLOW
9	MALE COUPLING NUT	ZINC DIE-CAST	BLACK E-COATED
8	PIN CONTACT	Cu ALLOY	GOLD OVER NICKEL
7	MALE INSERT	TPE	BLACK
6	OVERMOLD	TPE	BLACK
5	FEMALE COUPLING NUT	ZINC DIE-CAST	BLACK E-COATED
4	FRICTION RING	NYLON	WHITE
3	SOCKET CONTACT	Cu ALLOY	GOLD OVER NICKEL
2	FEMALE INSERT	TPE	BLACK
1	CABLE, 14 AWG-TC-ER	TPE	BLACK

FUNCTIONAL SYMBOLS	THIS DRAWING CONTAINS INFORMATION THAT IS PROPRIETARY TO MOLEX ELECTRONIC TECHNOLOGIES, LLC AND SHOULD NOT BE USED WITHOUT WRITTEN PERMISSION	SCALE		CURRENT REV DESC: UPDATED ITEM #2.6,7 WERE PVC 10,11 WERE MYLAR. ADDED IEC VOLT, DIA., TOL. CHART & PART NO CHART.	molex
	DIMENSION UNITS	INCH/MM	1.5:1		
	GENERAL TOLERANCES (UNLESS SPECIFIED)				
	4 PLACES	±	±		
DIVISIONAL SYMBOLS	EC NO: 709714	2021/05/28	PRODUCT CUSTOMER DRAWING		
	DRWN: VHANDI	2022/06/08			
	CHK'D: RSTONE	2022/06/14			
	APPR: BWOODMAN	2022/06/14			
INITIAL REVISION:		DOCUMENT NUMBER	DOC TYPE	DOC PART	REVISION
DRWN: BRUPERT		SD-130062-022	PSD	001	C
APPR: BWOODMAN		MATERIAL NUMBER	CUSTOMER	SHEET NUMBER	
DRAFT WHERE APPLICABLE MUST REMAIN WITHIN DIMENSIONS		SEE TABLE	GENERAL MARKET	1 OF 1	