

Customer Information Sheet

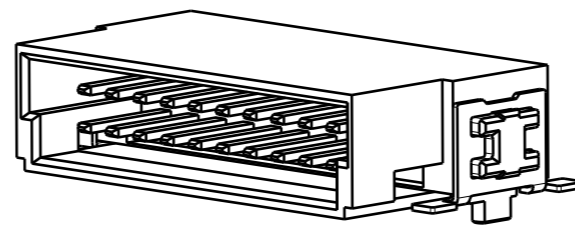
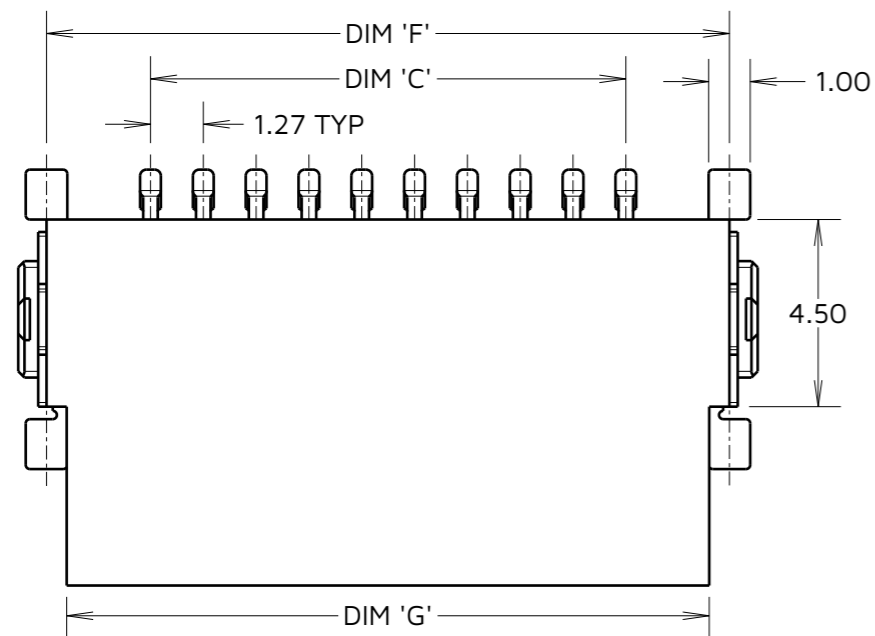
IF IN DOUBT - ASK



NOT TO SCALE

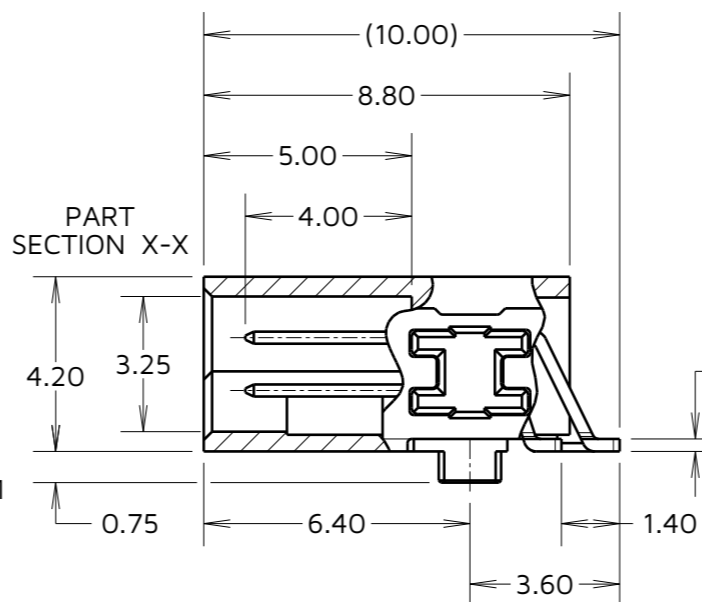
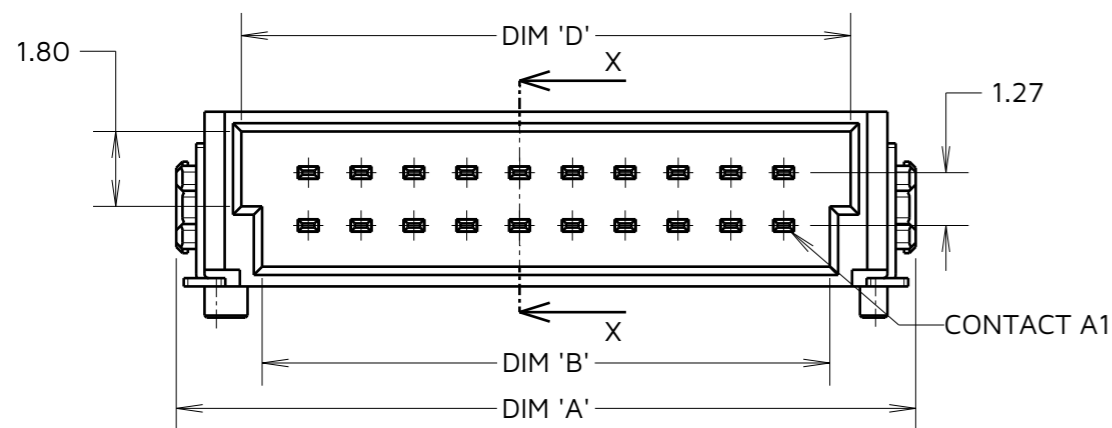
THIRD ANGLE PROJECTION

ALL DIMENSIONS IN mm



PART No.	DIM 'A'	DIM 'B'	DIM 'C'	DIM 'D'	DIM 'E'	DIM 'F'	DIM 'G'
M55-7101242R	12.70	8.57	6.35	9.57	10.77	11.34	10.37
M55-7101642R	15.24	11.11	8.89	12.11	13.31	13.88	12.91
M55-7102042R	17.78	13.65	11.43	14.65	15.85	16.42	15.45
M55-7102642R	21.59	17.46	15.24	18.46	19.66	20.23	19.26
M55-7103242R	25.40	21.27	19.05	22.27	23.47	24.04	23.07
M55-7104042R	30.48	26.35	24.13	27.35	28.55	29.12	28.15
M55-7105042R	36.83	32.70	30.48	33.70	34.90	35.47	34.50
M55-7106842R	48.26	44.13	41.91	45.13	46.33	46.90	45.93
M55-7108042R	55.88	51.75	49.53	52.75	53.95	54.52	53.55

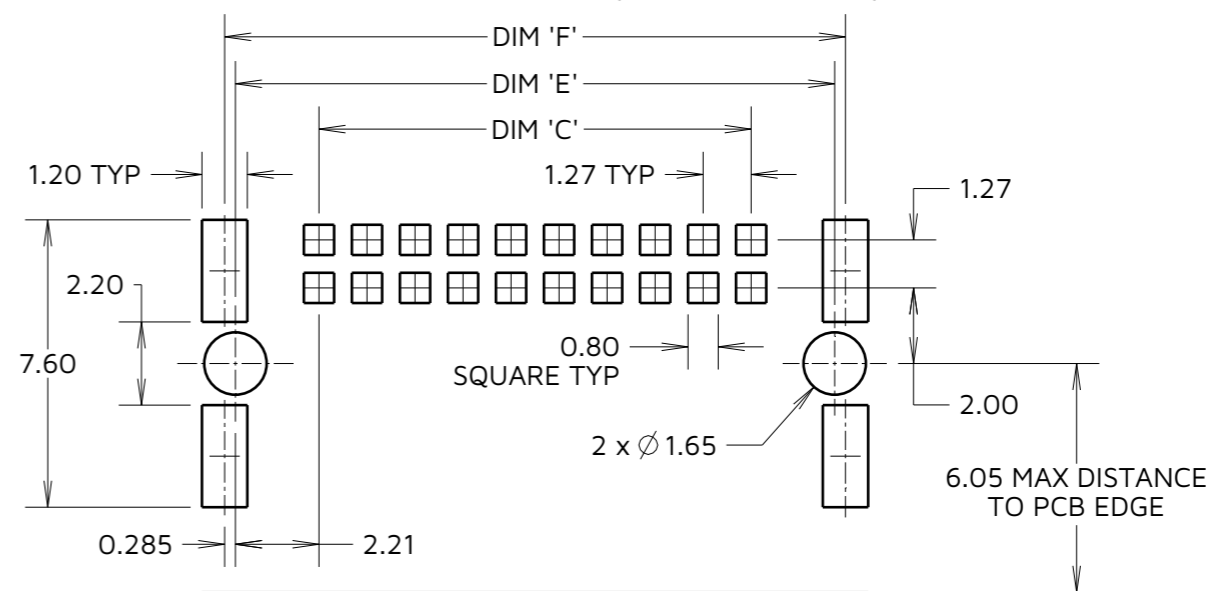
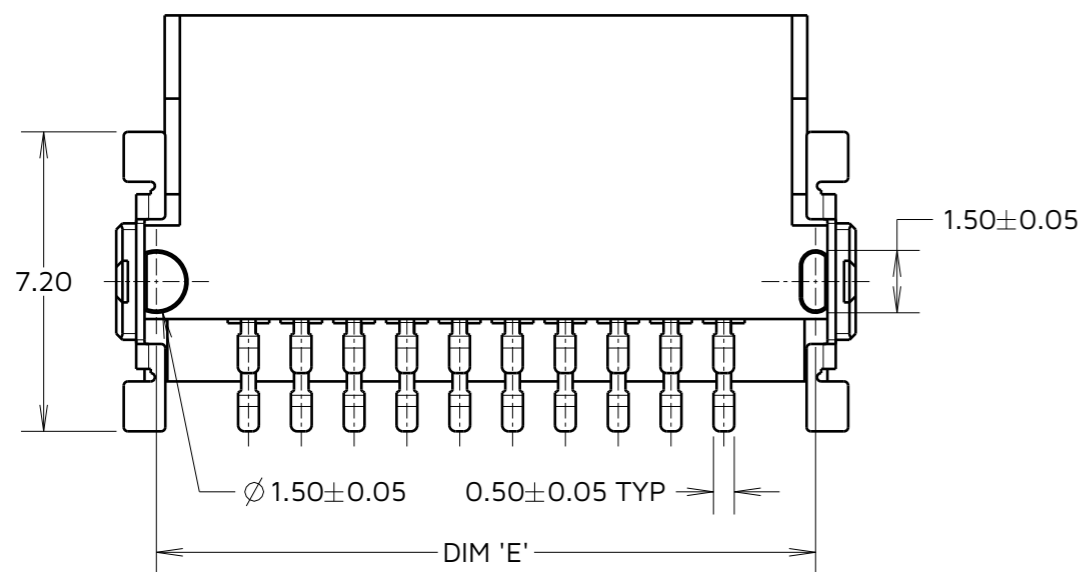
ORDER CODE:
M55-710XX42R
 TOTAL No. OF CONTACTS:
 12, 16, 20, 26,
 32, 40, 50, 68, 80



0.30	0.10	12-50 CONTACTS
	0.15	68-80 CONTACTS

SPECIFICATIONS:
 MATERIAL:
 MOULDING = BLACK LCP, UL94V-0
 CONTACT = PHOSPHOR BRONZE
 RETAINING STRAP = BRASS
 PLATING:
 CONTACT = 0.025µm MIN GOLD OVER
 2.03µm MIN NICKEL ON CONTACT AREA,
 2.54µm MIN TIN OVER
 1.27µm MIN NICKEL ON TAILS
 RETAINING STRAP = 2.45µm MIN TIN OVER
 1.01µm MIN NICKEL

RECOMMENDED PCB LAYOUT
 (TOLERANCE ±0.05)



MGP	7	19.04.23	32452
NAME	ISS.	DATE	CN/CO
APPROVED: MGP			
CHECKED: RTP			
DRAWN: M.PERREN			
ASSEMBLY DRG:			

NOTES:
 1. FOR TAPE AND REEL DETAILS, SEE SHEET 4.
 2. ALL TOLERANCES ARE ±0.20mm UNLESS OTHERWISE STATED.
 3. FOR COMPLETE SPECIFICATION SEE COMPONENT SPECIFICATION C047XX (LATEST ISSUE).

HARWIN

www.harwin.com

TOLERANCES
 X. = ±1mm
 X.X = ±0.50mm
 X.XX = ±0.20mm
 X.XXX = ±0.01mm
 ANGLES = ±5°
 UNLESS STATED

THIS DRAWING AND ANY INFORMATION OR DESCRIPTIVE MATTER SET OUT HEREON ARE CONFIDENTIAL AND COPYRIGHT PROPERTY OF THE HARWIN GROUP AND MUST NOT BE DISCLOSED, LOANED, COPIED OR USED FOR MANUFACTURING, TENDERING OR FOR ANY OTHER PURPOSE WITHOUT THEIR WRITTEN PERMISSION.

MATERIAL:
 SEE ABOVE

TITLE:
1.27mm PITCH HORIZONTAL MALE CONNECTOR

DRAWING NUMBER:
M55-710XX42R

SHT
 3
 OF
 4

Customer Information Sheet

IF IN DOUBT - ASK

©

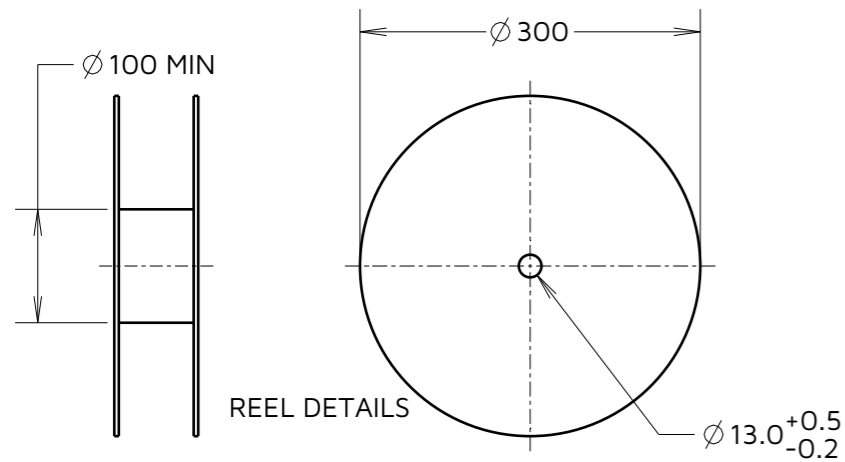
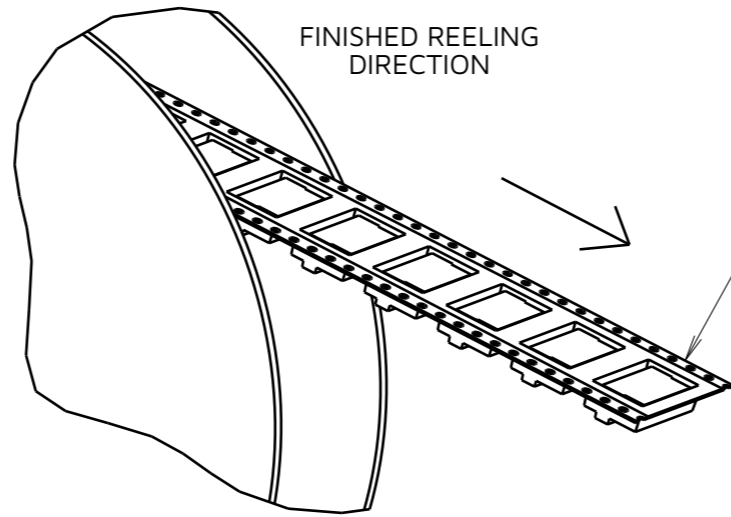
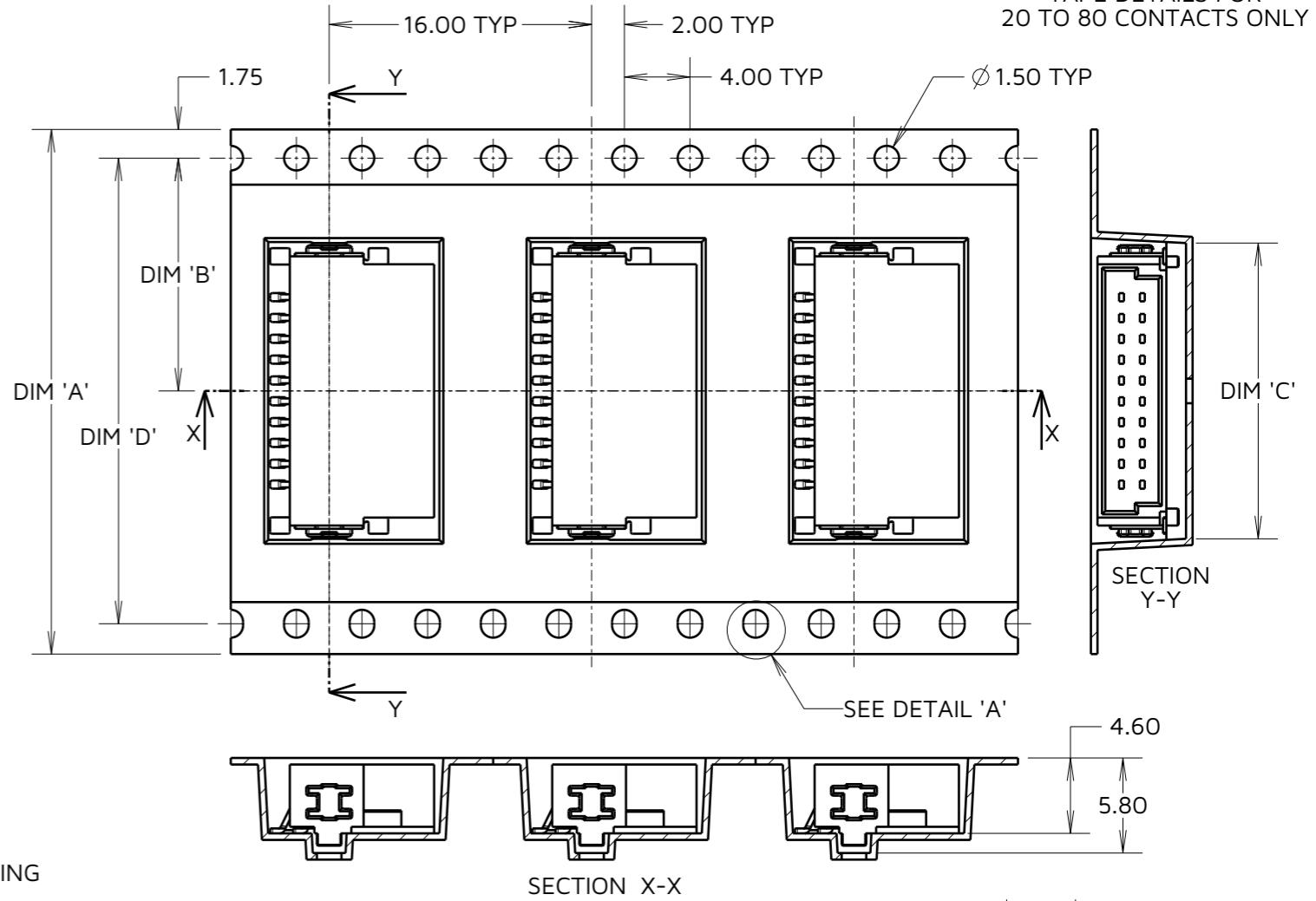
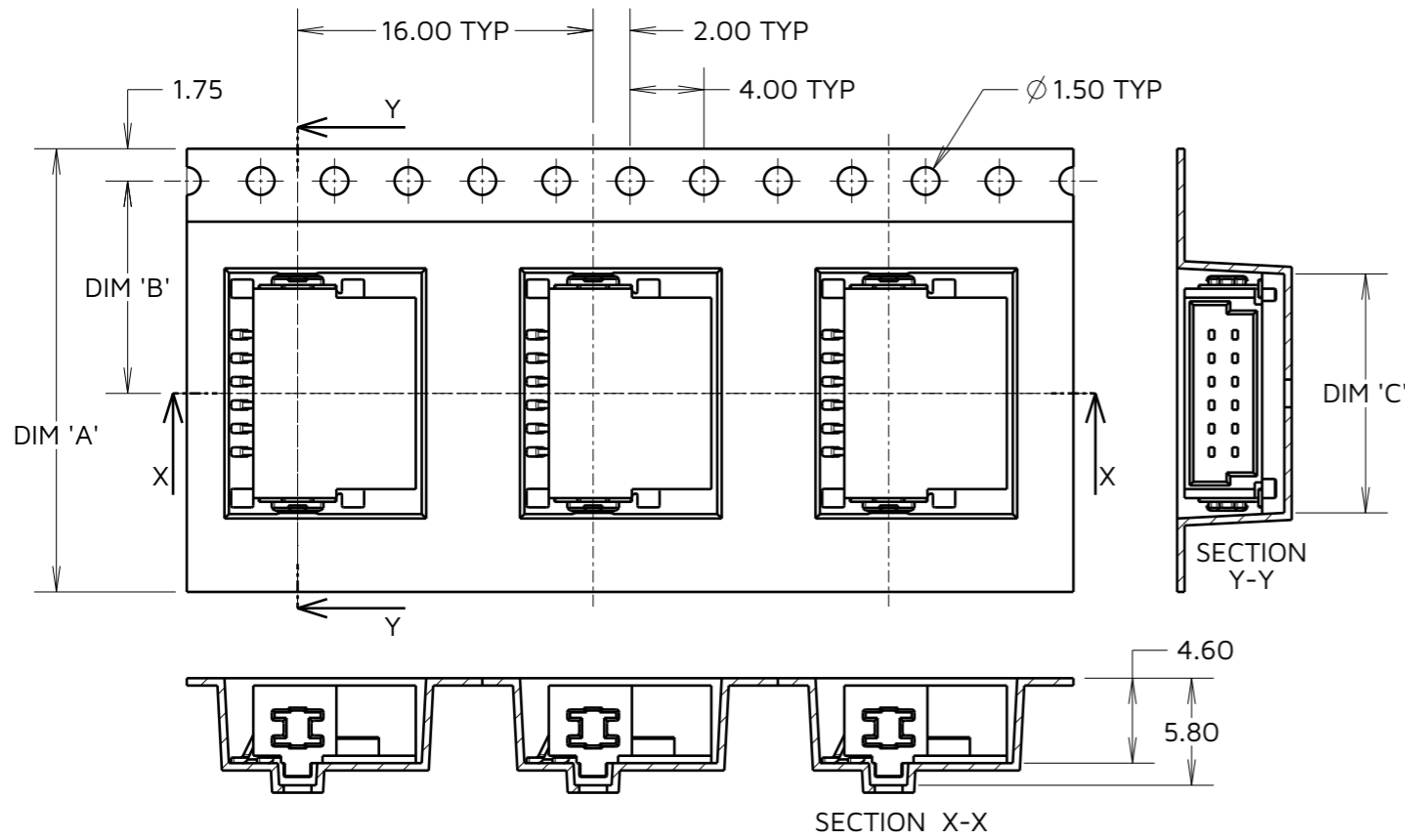
NOT TO SCALE

THIRD ANGLE PROJECTION

ALL DIMENSIONS IN mm

TAPE DETAILS FOR
12 & 16 CONTACTS ONLY

TAPE DETAILS FOR
20 TO 80 CONTACTS ONLY



ORDER CODE:
M55-710XX42R
TOTAL No. OF CONTACTS:
12, 16, 20, 26,
32, 40, 50, 68, 80

PART No.	DIMENSION				PACK QTY
	DIM 'A' ±0.30	DIM 'B'	DIM 'C' ±0.15	DIM 'D'	
M55-7101242R	24.00	11.50	12.90	N/A	600
M55-7101642R	32.00	14.20	18.00	28.40	
M55-7102042R	44.00	20.20	21.79	40.40	
M55-7102642R	56.00	26.20	37.03	52.40	
M55-7103242R	72.00	34.20	48.46	68.40	
M55-7104042R			56.08		
M55-7105042R					
M55-7106842R					
M55-7108042R					

MGP	7	19.04.23	32452
NAME	ISS.	DATE	CN/CO
APPROVED: MGP			
CHECKED: RTP			
DRAWN: M.PERREN			
ASSEMBLY DRG:			

- NOTES:
1. PRODUCT IS TAPE AND REELED IN GENERAL ACCORDANCE WITH EIA-481 (ELECTRICAL INDUSTRIES ASSOCIATION).
2. FOR CONNECTOR DETAILS AND SPECIFICATIONS, SEE SHEET 3.

HARWIN

www.harwin.com

TOLERANCES
X. = ±1mm
X.X = ±0.50mm
X.XX = ±0.20mm
X.XXX = ±0.01mm
ANGLES = ±5°
UNLESS STATED

THIS DRAWING AND ANY INFORMATION OR DESCRIPTIVE MATTER SET OUT HEREON ARE CONFIDENTIAL AND COPYRIGHT PROPERTY OF THE HARWIN GROUP AND MUST NOT BE DISCLOSED, LOANED, COPIED OR USED FOR MANUFACTURING, TENDERING OR FOR ANY OTHER PURPOSE WITHOUT THEIR WRITTEN PERMISSION.

MATERIAL:
SEE SHEET 3

TITLE:
1.27mm PITCH HORIZONTAL MALE CONNECTOR

DRAWING NUMBER:
M55-710XX42R