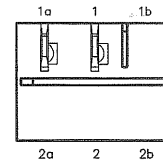
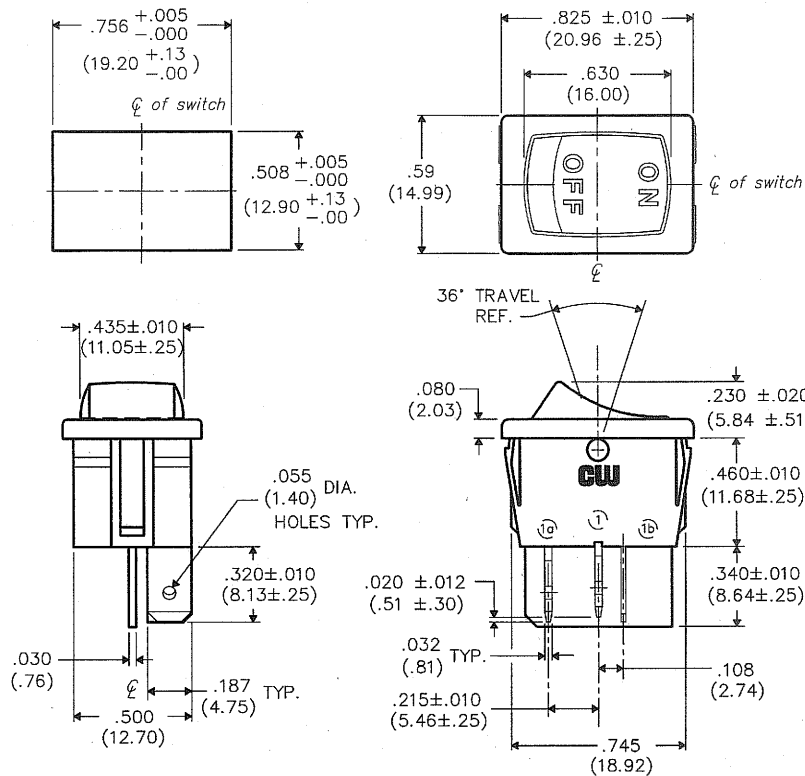


**PANEL PIERCING**



**BOTTOM VIEW  
(RELOCATED)**

**MATERIAL:**

ROCKER KNOB- Nylon 6/6, Color- Red

HOUSING- Nylon 6/6, Color- Black

MOVING CONTACT & TERMINALS- Copper Alloy/Micro-Finish

**RATING: UL/CSA**

8A. 125VAC 4A. 250VAC

3A. 277VAC

THIS INFORMATION IS CONFIDENTIAL AND PROPRIETARY TO CW INDUSTRIES INCORPORATED AND ITS AFFILIATES. IT MAY NOT BE DISCLOSED TO ANYONE OTHER THAN CW INDUSTRIES PERSONNEL, WITHOUT WRITTEN AUTHORIZATION FROM CW INDUSTRIES INCORPORATED, SOUTHAMPTON, PENNSYLVANIA USA.

1	2	3	4	5	6	7	8	9	10
---	---	---	---	---	---	---	---	---	----

B-FORMAT 2002	<b>REVISIONS</b>	0	
		RELEASED.	
		DCW 2-24-2012	

PDF Made	<b>cw INDUSTRIES</b> Southampton, Pa. 18966	Title: ON - OFF SWITCH ASSEMBLY (POP IN) S.P.- S.T.
	<b>TOLERANCES UNLESS OTHERWISE SPECIFIED</b>	
	2 Place Decimal ±.010 METRIC	
	3 Place Decimal ±.005 1 Place Dec. ±.25mm	
Angles ..... ±1° 2 Place Dec. ±.13mm		
Made for: CW IND.	Division: SWITCH	
Drawn by: DGW 2-24-2012	Dwg. No.	
Checked by: G. Guld 2-24-12		
Approval: G. Guld 2-24-12		GRSV-4011-0137

**MASTER**