



LCD133-070CTL1NCNTTR1.0

7" WUXGA

In-Cell Touch

1200\*1920

[www.lincolntechsolutions.com](http://www.lincolntechsolutions.com)

©2021 All rights reserved.

Rev.1.4

## Table of Contents

Revision History .....	3
Document Revision .....	3
Hardware Revision.....	3
General Specifications.....	4
Block Diagram.....	5
Pin Out-LCD.....	6
Absolute Max Ratings - LCD.....	8
Absolute Max Ratings – PCAP - In Cell Touch .....	8
Electrical Characteristics - LCD.....	8
Electrical Characteristics – PCAP - In Cell Touch .....	9
Backlight Specifications .....	10
Timing Specifications - LCD.....	11
Timing Specifications – PCAP .....	11
Optical Characteristics .....	13
Packaging.....	17
Quality & Inspection Criteria .....	18
Terminologies:.....	18
Inspection Conditions.....	22
Acceptance Criteria Table:.....	23
Appendix 1: Drawing .....	25

## Revision History

### Document Revision

Date	Version #	Description
1/24/2020	R1.0	Preliminary Release
1/29/2020	R1.1	Updated Temp Specs
4/27/2020	R1.2	Updated pinout
12/17/2020	R1.3	High Resolution Drawing addition, packaging added, backlight power chart added
2/3/2020	R1.4	Temperature typo corrected from -10 to -20 on page 8. Uniformity updated to 5 points. Backlight description added.

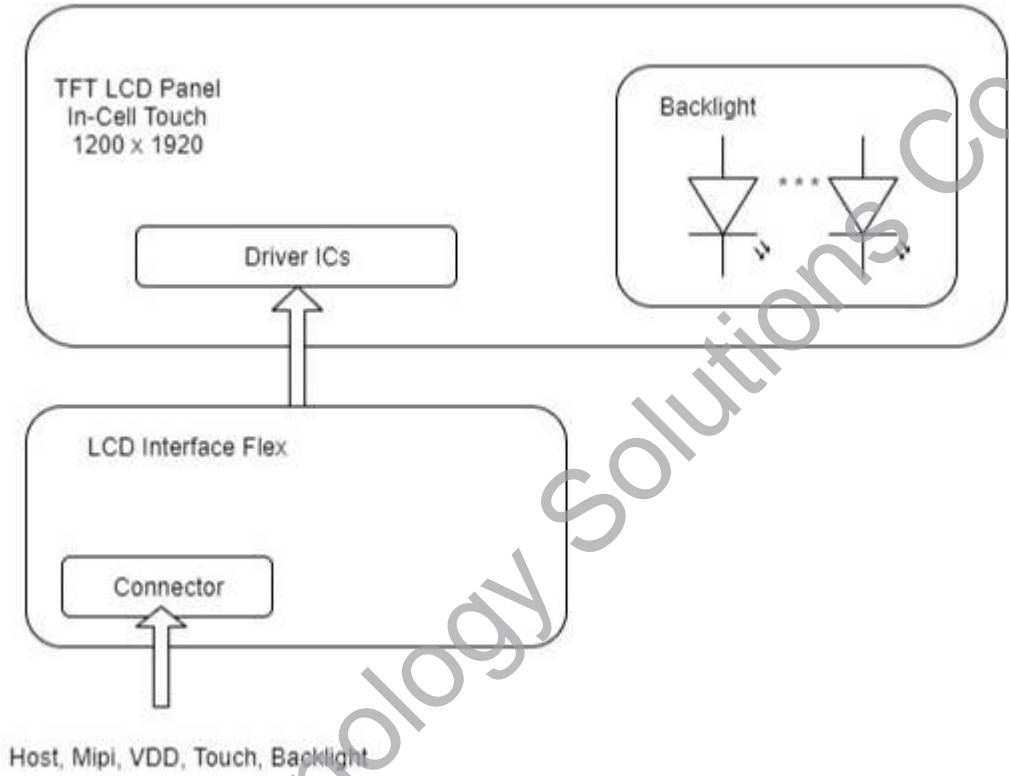
### Hardware Revision

Date	Version #	Description
12/23/2019	R0.1	Preliminary Release
1/24/2020	R1.0	Production

## General Specifications

Item	Specification	Unit
Outline Dimensions	108.52(W) X 171.70(L) X 3.505(H)	mm
Display Size	7.02	inches
Active Area	94.5 X 151.2	mm
Pixel Pitch	0.07875 X 0.07875	mm
Number of Dots	1200 X 1920	-
LCD Type	ADS 10 bit (8bit + 2bit FRC)	-
Backlight Type	LED White	-
Viewing Direction	Free	-
Touch Panel	Capacitive Touch (In-Cell) – FT7250	-
Luminance	600	cd/m <sup>2</sup>
Interface	MIPI	-
Surface Treatment	Generic cover glass	-
Operating	-20 to +70	°C

# Block Diagram



## Pin Out-LCD

The interface connector is a 40 pin Zif with 0.5mm pitch. It accepts an FFC of 0.3mm thickness and gold-plated contacts.

An example of the part mounted on the LCD flex is, Hirose FH28-40S-0.5SH(05)

Number	Pin Name	I/O	Description
1	NC	-	No connection – Must not connect
2	IOVCC	P	Power supply for system (1.8V)
3	IOVCC	P	Power supply for system (1.8V)
4	GND	P	Ground
5	LCD_RSTN	I	LCD reset signal, Active Low
6	NC	-	No connection
7	GND	P	Ground
8	MIPI_ON	I	MIPI Negative data inputs
9	MIPI_OP	I	MIPI Positive data inputs
10	GND	P	Power ground
11	MIPI_1N	I	MIPI Negative data inputs
12	MIPI_1P	I	MIPI Positive data inputs
13	GND	P	Power ground
14	MIPI_CKN	I	MIPI Negative clock inputs
15	MIPI_CKP	I	MIPI Positive clock inputs
16	GND	P	Power ground
17	MIPI_2N	I	MIPI Negative data inputs
18	MIPI_2P	I	MIPI Positive data inputs
19	GND	P	Power ground

20	MIPI_3N	I	MIPI Negative data inputs
21	MIPI_3P	I	MIPI Positive data inputs
22	GND	P	Power ground
23	TP_SCL	I	TP I2C Clock 1.8V
24	TP_SDA	I/O	TP I2C Data 1.8V
25	GND	P	Power ground
26	TE	O	Tear output
27	PWMO	O	PWM control signal for LED driver (CABC)
28	TP_INTN	O	Touch Interrupt 1.8V, Active Low
29	TP_RSTN	I	TP reset signal 1.8V, Active Low
30	GND	P	Power ground
31	LED-	P	LED Cathode
32	LED-	P	LED Cathode
33	NC	-	No connection
34	VSN	P	Analog supply negative voltage (-5~-6V)
35	VSN	P	Analog supply negative voltage (-5~-6V)
36	NC	-	No connection
37	VSP	P	Analog supply positive voltage (5~6V)
38	VSP	P	Analog supply positive voltage (5~6V)
39	LED+	P	LED Anode
40	LED+	P	LED Anode

## Absolute Max Ratings - LCD

Item	Symbol	Value	Unit
Power Supply Voltage for Logic	IOVCC	-0.3 - 4.5	V
Power for Analog Negative	VSN	0 ~ -6.6	V
Power for Analog Positive	VSP	0 ~ +6.6	V
Operating Temperature	Topr	-20 to 70	°C
Storage Temperature	Tstg	-30 to 80	°C

## Absolute Max Ratings – PCAP - In Cell Touch

Item	Symbol	Value	Unit
Power Supply Voltage for Logic	VCC	-0.3 – 3.47	V
Signal IO	VCC IO	-0.3 – 3.47	V

## Electrical Characteristics - LCD

Item	Symbol	Min	Typ	Max	Unit	Test Condition
Operating Voltage	IOVCC	1.65	1.8	1.95	V	-
Voltage for Analog Negative	VSN	-6.5	-5.5	-4.5	V	-
Voltage for Analog Positive	VSP	4.5	5.5	6.5	V	-
Supply Current	IDD(IOVCC)	-	-	50	mA	Ta = 25 °C

Supply Current	IDD(VSN)	-	-	75	mA	Ta = 25 °C
Supply Current	IDD(VSP)	-	-	75	mA	Ta = 25 °C
Input Voltage	Vih	0.7IOVCC	-	IOVCC	V	-
	Vil	0	-	0.3IOVCC	V	-
Input Leakage Current	IiL	-1.0	-	1.0	μA	Vin = IOVCC

## Electrical Characteristics – PCAP - In Cell Touch

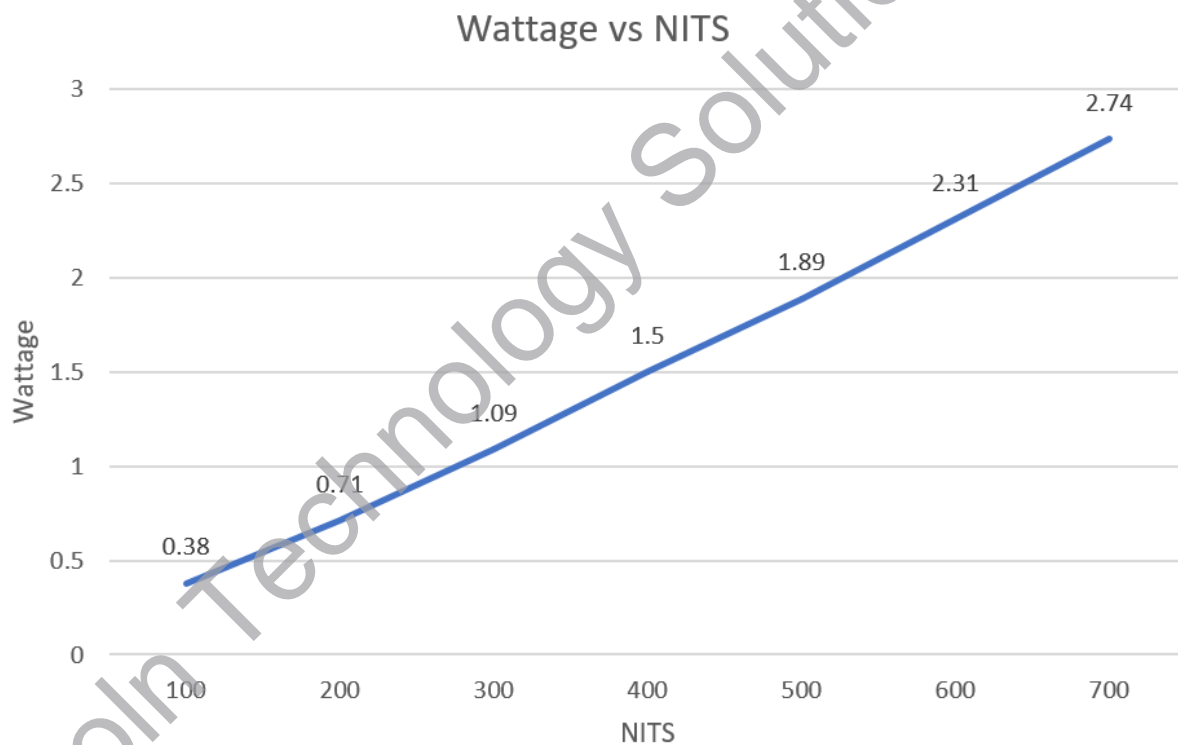
Item	Symbol	Min	Typ	Max	Unit	Test Condition
Operating Voltage	VCC	1.65	1.8*	3.3	V	-
Operating Voltage IO	VCC_IO	1.8	1.8*	3.3	V	-
Supply Current	IDD(VCC)	-	8	14.5	mA	Ta = 25 °C
Input Voltage	Vih	0.7VCC_IO	-	VCC_IO	V	-
	Vil	GND	-	0.3VCC_IO	V	-

\*IOVCC powers the PCAP circuitry which is powered at 1.8V

## Backlight Specifications

Typical drive current is suggested as 80mA. It may be possible to drive the individual LEDs beyond its typical of 20mA (per LED) if thermals are mitigated in the integration of the LCD. Wattage vs NITS is provided for reference to show the linearity of NITS.

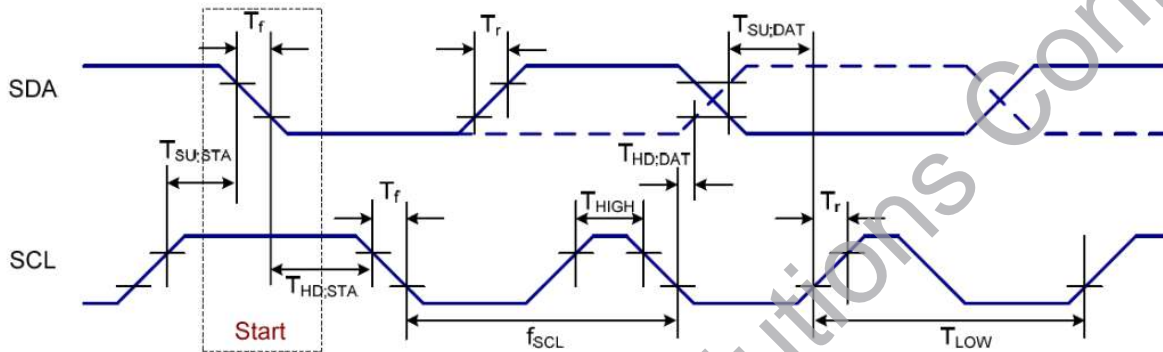
Item	Symbol	Min	Typ	Max	Unit	Test Condition
Supply Voltage	Vf	-	28.0	-	V	If = 80mA
Supply Current	If	-	80	-	mA	NITS = 600
Backlight Color	White					



## Timing Specifications - LCD

Refer to Focal Tech FT7250

## Timing Specifications – PCAP



Symbol	Parameter	Min	Typ	Max	Unit
$f_{SCL}$	SCL clock frequency	10	-	400	kHz
$T_{LOW}$	SCL clock LOW period	1.2	-	-	us
$T_{HIGH}$	SCL clock HIGH period	0.6	-	-	us
$T_{SU;DATA}$	Data set-up time	250	-	-	ns
$T_{HD;DATA}$	Data hold time	0	-	0.9	us
$T_r$	SCL and SDA rise time	20	-	300	ns
$T_f$	SCL and SDA fall time	20	-	300	ns
$T_f$	SDA fall time for read out	20	-	1000	ns
$C_b$	Capacitive load represented by each bus line	-	-	400	pF
$T_{SU;STA}$	Setup time for a repeated START condition	0.6	-	-	us

www.lincolntechsolutions.com

©2021 All rights reserved.

Rev.1.4

Symbol	Parameter	Min	Typ	Max	Unit
$T_{HD;STA}$	START condition hold time	0.6	-	-	us
$T_{SU;STO}$	Setup time for STOP condition	0.6	-	-	us
$T_{SW}$	Tolerable spike width on bus	-	-	50	ns
$T_{BUF}$	BUS free time between a STOP and START condition	4.7	-	-	us

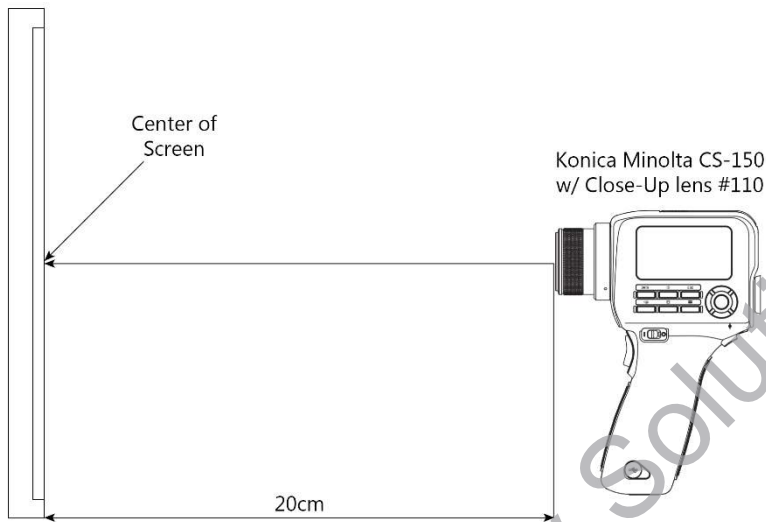
## Optical Characteristics

All measurements taken after minimum runtime of 25 minutes.

Item	Symbol	Conditions	Specification			Unit	Note	
			Min	Typ	Max			
Response Time	Tr Tf	Ta = 25°C	-	25	-	ms	(1)(4)	
Contrast Ratio	CR	Normal Viewing Angle	1200	-	-	-	(1)(3)(5)	
Viewing Angle	Hor.	X-	CR>10	70	80	-	Deg	(3)(5)
		X+		70	80	-	Deg	
	Ver.	Y+		70	80	-	Deg	
		Y-		70	80	-	Deg	
Chromaticity	Red	Rx	Ta = 25 °C	-	.6583	-	-	
		Ry		-	.3433	-	-	
	Green	Gx		-	.29	-	-	
		Gy		-	.6362	-	-	
	Blue	Bx		-	.1517	-	-	
		By		-	.0876	-	-	
	White	Wx		-	.2911	-	-	
		Wy		-	.3231	-	-	
Luminance	L	Ta = 25 °C	-	600	-	cd/m2	(1)	
Color Gamut Ratio NTSC			-	75	-	%		
Uniformity	U		75	80	-	%	(2)	

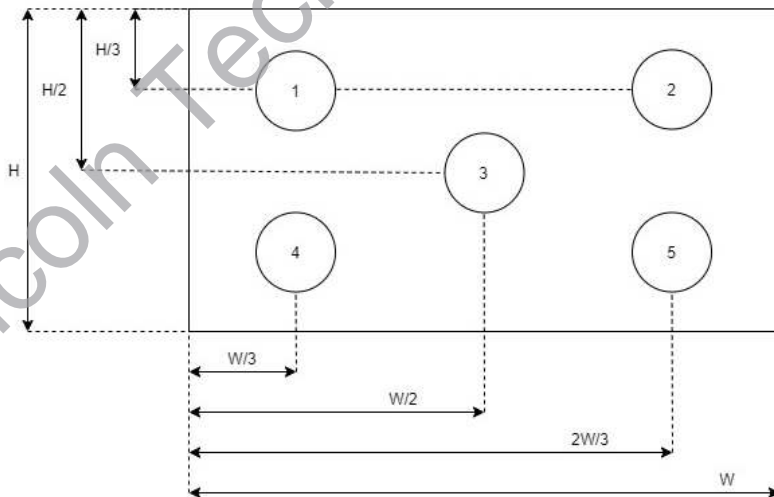
**Note 1: Measurement setup**

The LCD module should be stabilized at a given temperature for 25 minutes to avoid abrupt temperature change during measurement. After temperature saturation measurement should be executed.



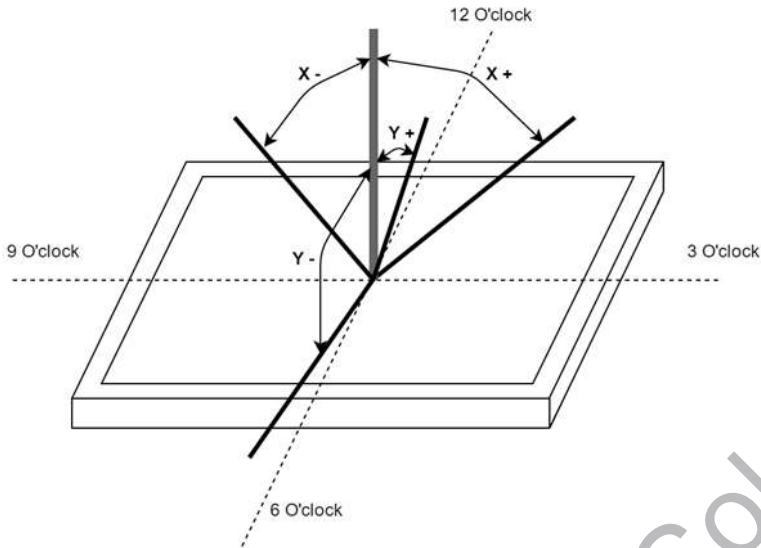
**Note 2: Brightness Uniformity**

Brightness uniformity = (Minimum Luminance of 5 points / Max Luminance of 5 points) \* 100



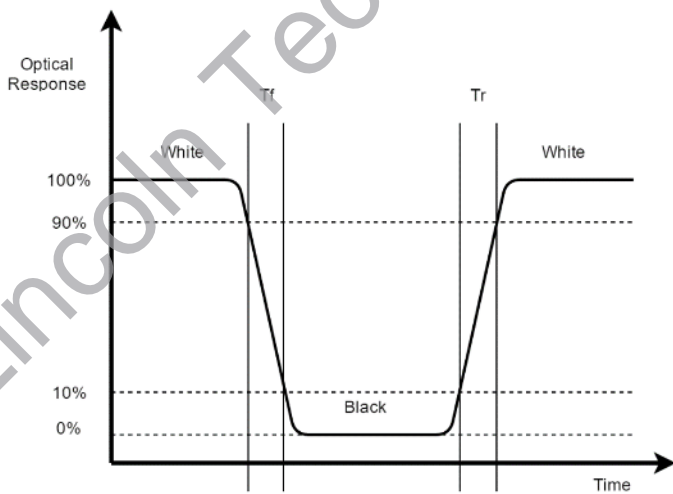
**Note 3: Viewing Angle**

Definition of viewing angle for Y+/- and X+/- is as follows.



**Note 4: Response Time**

Definition of response time as follows below.



**Note 5: Contrast Ratio**

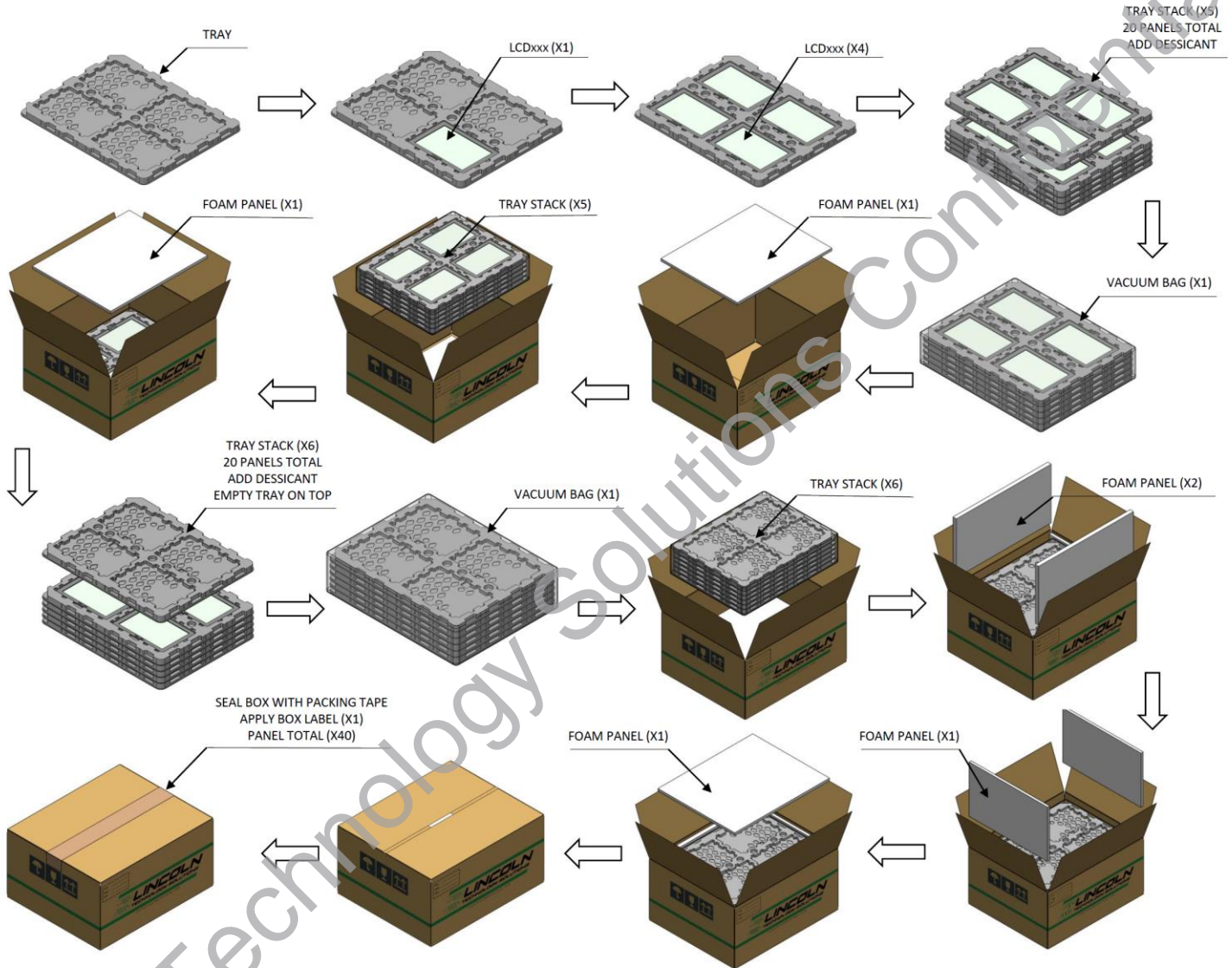
Definition of Contrast Ratio is as follows.

Contrast measurements shall be made at a viewing angle of 0° at the center of the surface.

$$\text{CR} = \frac{\text{Luminance when displaying White}}{\text{Luminance when displaying Black}}$$

Lincoln Technology Solutions Confidential

# Packaging

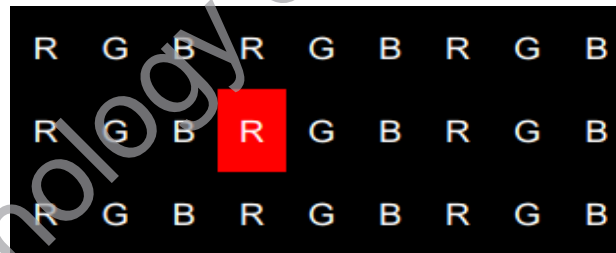
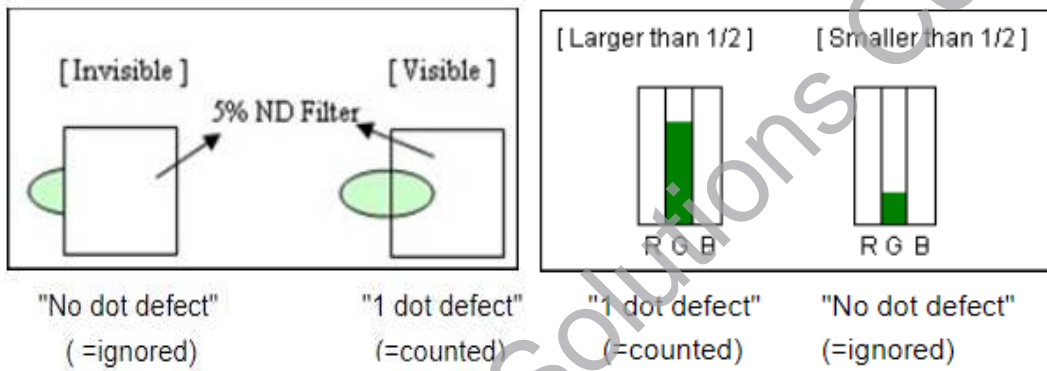


## Quality & Inspection Criteria

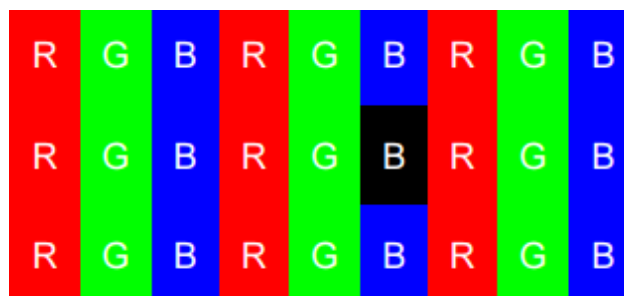
### Terminologies:

**LCD:** Liquid Crystal Display; Each pixel contains three dots of R, G, and B (sub-pixel).

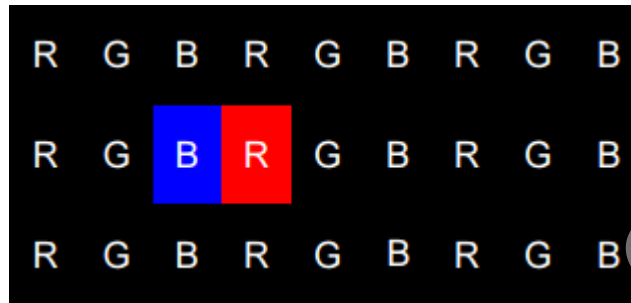
**Bright Dot:** 1 sub-pixel is a dot. Defects should be larger than 1/2 of a sub-pixel. Dots that are not visible through a 5% ND Filter or smaller than 1/2 of sub-pixel size will not be counted as a dot defect.



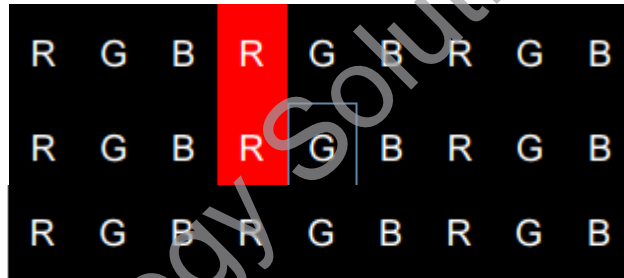
**Dark Dot:** Any single sub-pixel that does not light up in a white screen or another non-black screen is called a dark dot.



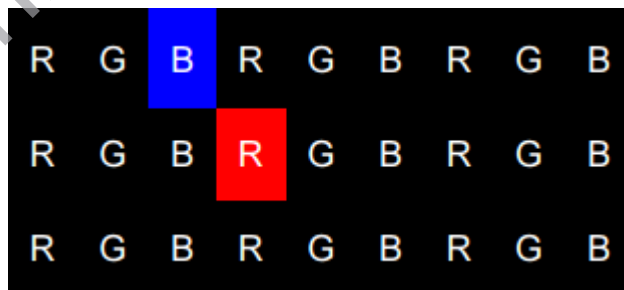
**Two adjacent dots (horizontal direction):** Use the bright dot illustration as an example to demonstrate two horizontal consecutive dots.



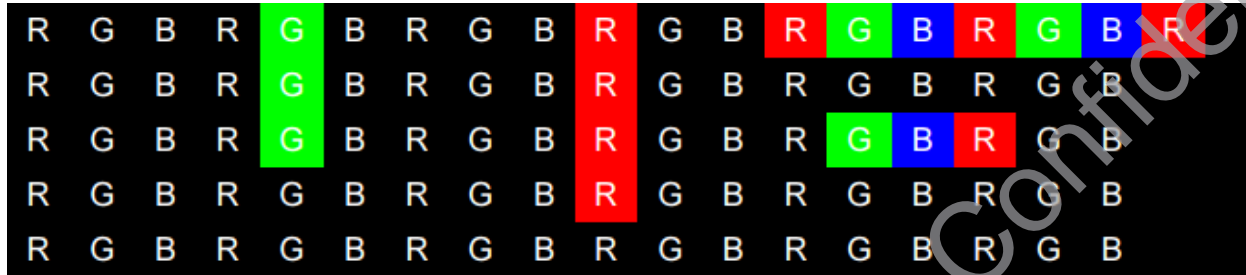
**Two adjacent dots (vertical direction):** Use the bright spot illustration as an example to demonstrate two vertical consecutive dots.



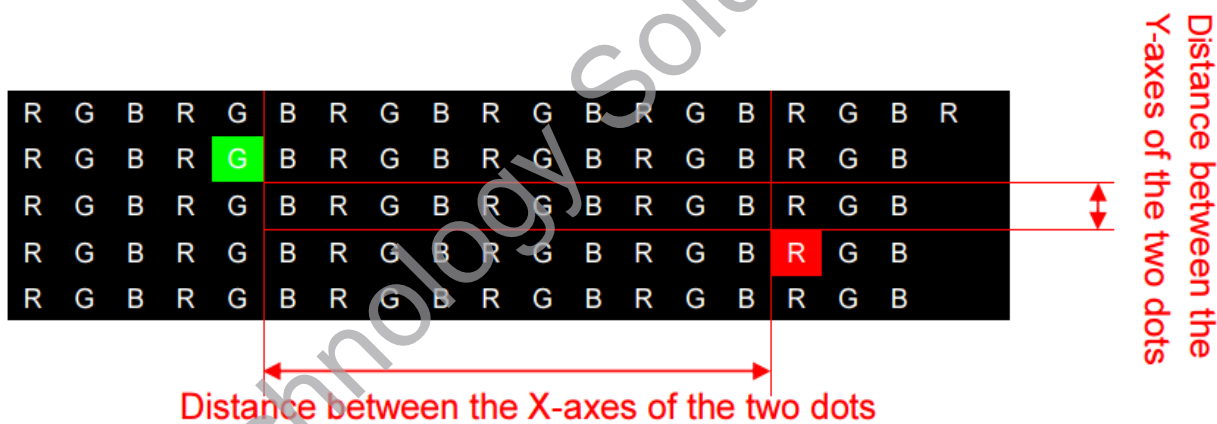
**Two adjacent dots (bevel direction):** Use the bright spot illustration as an example to demonstrate two consecutive dots in the bevel direction.



**Three or more adjacent dots (horizontal):** Use the bright spot illustration as an example to demonstrate three or more consecutive horizontal and vertical dots.



**Illustration of spacing between two dots:** (Distance is the relative distance between the X-axes of the two dots or the relative distance between the Y-axes of the two dots, whichever is larger)



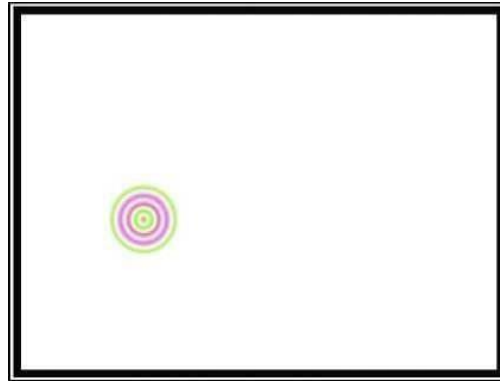
**Functional Test**

The LCD display testing program should display the following screens in order: all red, all green, all blue, all white, all gray, all black.

**Inspection Requirements**

After booting the system (single illumination), there are no non-display, unlit backlight, dark backlight, blinking, or other abnormal signs, and there are no bright lines, dark lines, or bright rims/leakage of light close to the LCD bezel.

### Newton's Ring



Under high temperature and high humidity conditions, uneven deformations caused by heat in different layers of the LCD module will result in the display of an all-white screen. However, this condition can be recovered when temperature is resumed under normal circumstances. A specific determination can be conducted according to the operating conditions and storage conditions defined in the product's technical specifications. Any exception will be negotiated and mutually agreed by both parties. (Ripples are not permitted at fixed locations. For ripples at non-fixed locations, they are OK if they disappear within two seconds.)

### LCD blaze

Uneven internal LCD installation, surface deformation of the LCD polarizer, internal structural interference of the LCD module, damaged LCD backlight plates, and other factors may cause partial fading of color on the LCD display. When observed from a certain incident angle (upper 10°, lower 3°, 40° on both sides), they will appear as white cicatrices, typically about the size of a grain of rice. In serious cases, they accumulate in large patches or stripes, appear in different degrees under various colors (red, blue, green, black, gray, white), and are especially obvious under an all-gray screen. Blazes with diameters  $\geq 0.5\text{mm}$  are not allowed: for those with diameters under 0.5 mm, 2 are acceptable if the space between them is  $\geq 15\text{mm}$ . Card chromatic aberration ratio versus ND Filter:  $1.0 + 0.3 \text{ standard} = 5\% \text{ ND Filer}$  (see definition of Mura).

### Mura

Mura refers to the unevenness and irregularity that is visible in the image. It is difficult for visual inspection to recognize the non-uniform brightness or mura. Mura detection is subjective and therefore doesn't have pass/fail criteria. There are several precautions to take which can avoid mura. Avoid high ambient temperatures around the module, frame warpage and high temperature operation over long periods of time. Utilize screen savers to avoid mura.

## Inspection Conditions

Inspection distance should be  $35\text{cm} \pm 5\text{cm}$  with a FujiFilm ND-LCD 5% filter approximately 5cm from the backlight surface.

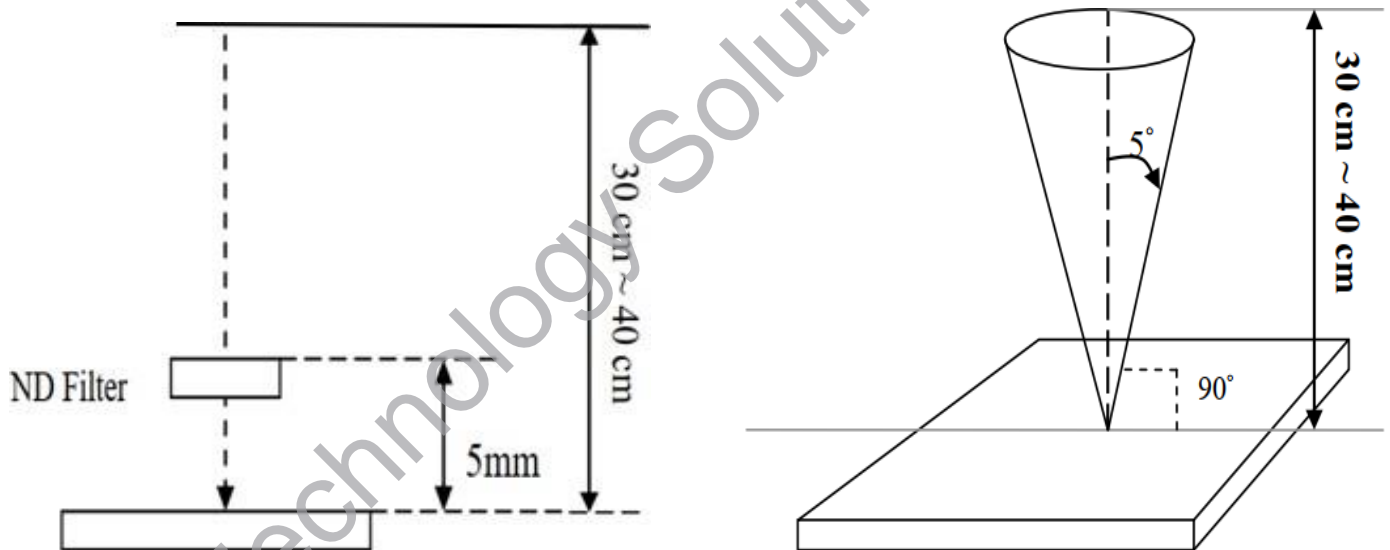
Viewing angle:  $90^\circ \pm 5^\circ$ .

Room temperature:  $23 \pm 2^\circ\text{C}$

Humidity:  $60 \pm 10\%$

Inspection Ambient Illumination: 300-700 LUX

Viewing Distance: 30-40 CM



## Acceptance Criteria Table:

There should be no corrosion or cracking, or an uneven coating layer on LCD display surface, and there should be no sign of coagulation, flaking, cracking, or wear. The definition of minor defects and acceptance criteria are shown in the following table:

Item	Size	Unit	Acceptance qty.
Unfelt scratch visible with backlight off.	$W < 0.05$	mm	Ignore
	$W > .05$ and $< .10$ $L > .3$ and $< 3.0$	mm	4
	$W > .10$ or $L > 3.0$	mm	none
	Visible with backlight on		none
Felt scratch	None allowed		
Dent visible with backlight off	$D < .2$	mm	Ignore
	$D > .2$ and $< .5$	mm	5
	Spacing between defects must be $> 30\text{mm}$		
	$D > .5$	mm	none
	Visible with backlight on		none
Bubble visible with backlight off	$D < .2$	mm	Ignore
	$D > .2$ and $< .5$	mm	5
	$D > .5$	mm	none
	Visible with backlight on		none
	$W < .05$		Ignore

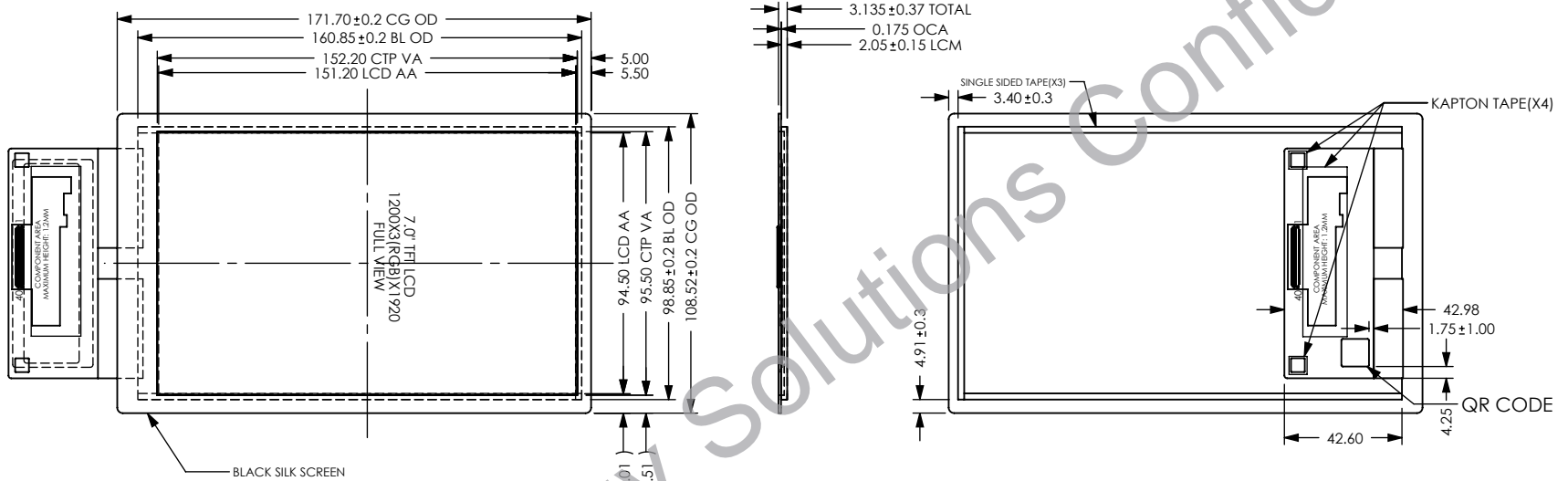
Item	Size	Unit	Acceptance qty.
Foreign material (line shape) visible with backlight on		mm	
	W > .05 and < .10 L > .3 and < 2.0	mm	4
	W > .10 or L > 2.0	mm	none
Foreign material (dot shape) visible with backlight on	D < .2	mm	Ignore
	D > .2 and < .5	mm	5
	D > .5	mm	none
Bright dot defect(lit)	1 dot	-	4
	2 adjacent dots	-	0
Dark dot defect (not lit)	1 dot	-	5
	2 adjacent dots	-	2
	3 adjacent dots	-	0

Appendix 1: Drawing

Lincoln Technology Solutions Confidential

GENERAL TOLERANCE TABLE ( $\pm$ MM)	
$L \leq 20$	0.1
$20 < L \leq 50$	0.2
$50 < L \leq 200$	0.25
$100 < L \leq 200$	0.3
$200 < L$	0.5

ZONE	REV.	DESCRIPTION	DATE	APPROVED
	A	INITIAL ISSUE	1/24/2020	JK
B8	B	ADDED LCD PINOUT TABLE	12/18/2020	JK



B

LCD PINOUT TABLE

PIN	DEFINITION	PIN	DEFINITION	PIN	DEFINITION	PIN	DEFINITION
1	NC	11	MIPI_1N	21	MIPI_3P	31	LEDK
2	IOVCC	12	MIPI_1P	22	GND	32	LEDK
3	IOVCC	13	GND	23	TP_SCL	33	NC
4	GND	14	MIPI_CK_N	24	TP_SDA	34	VSN
5	LCD_RSTN	15	MIPI_CK_P	25	GND	35	VSN
6	NC	16	GND	26	TE	36	NC
7	GND	17	MIPI_2N	27	PWMO	37	VSP
8	MIPI_0N	18	MIPI_2P	28	TP_INT	38	VSP
9	MIPI_0P	19	GND	29	TP_RST	39	LEDA
10	GND	20	MIPI_3N	30	GND	40	LEDA

SCALE: 1:2.5 SHEET 1 OF 1

DO NOT SCALE DRAWING

DRAWN BY: DAT DATE: 12/18/2020

CHECKED BY: JK DATE: 12/18/2020

MATERIAL: N/A

FINISH: N/A

COMMENTS: ALL DIMENSIONS ARE IN MILLIMETERS.



DESCRIPTION: 7" DAY BRIGHT

PART NO.: LCD133-070CTL1NCNTR1.0

REV. B

THE INFORMATION CONTAINED IN THIS DRAWING IS THE SOLE PROPERTY OF LINCOLN TECHNOLOGY SOLUTIONS (LTS) AND SHALL NOT BE REDISTRIBUTED. ANY REPRODUCTION IN PART OR AS A WHOLE WITHOUT THE WRITTEN PERMISSION OF LTS IS PROHIBITED.