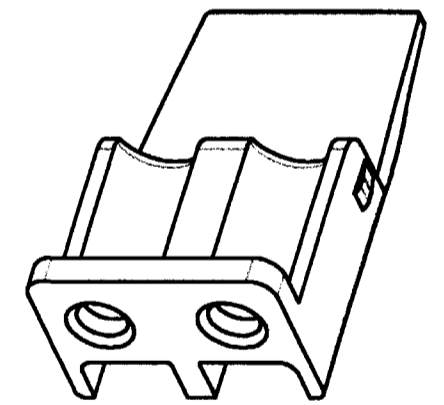
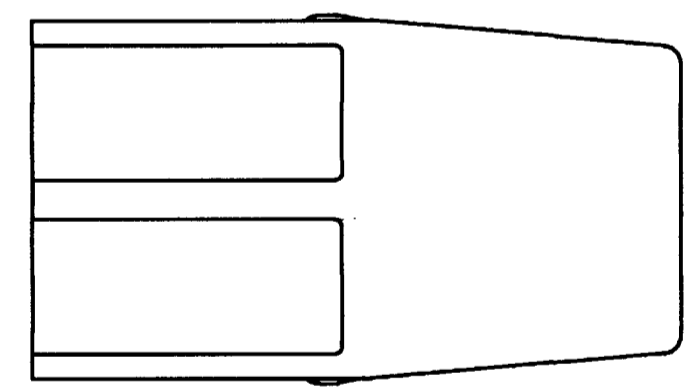
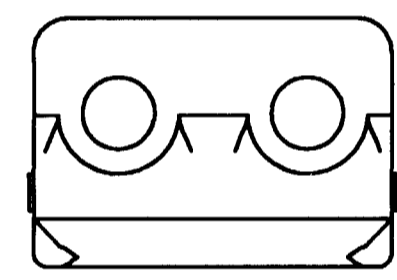
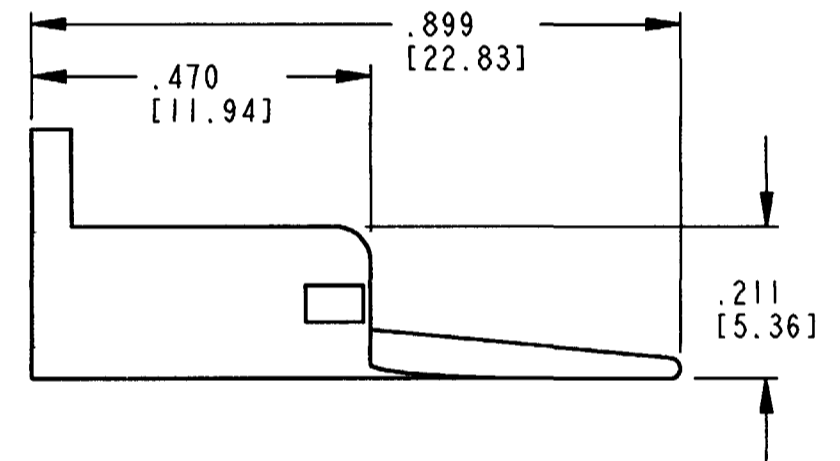
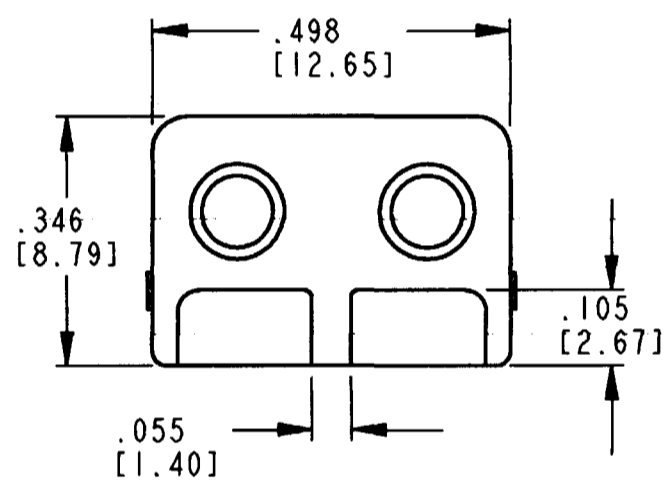
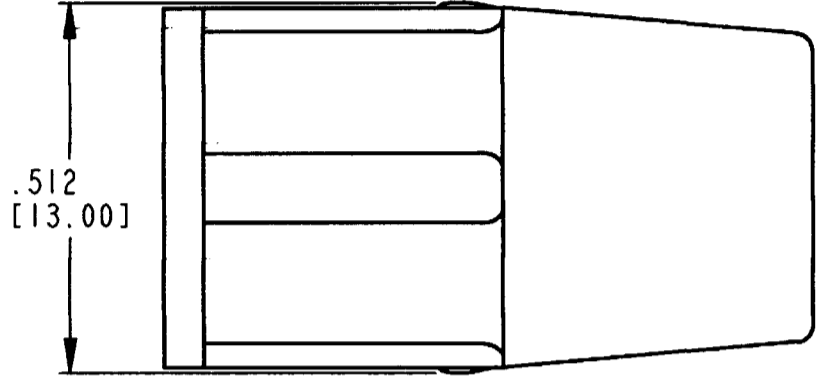


REV	NC	WP-2S
-----	----	-------

REVISIONS			
SYM	DESCRIPTION	DATE	APPROVED
NC	NEW RELEASE PER E.O. P15586	3-31-98	RDR



SCALE 3.0

- NOTES: 1. DIMENSIONS ARE IN INCHES [MM].
2. DIMENSION TOLERANCE:  $\pm .015$  [ .38 ].
3. THIS PART MATES WITH DTP06-2S PLUG.
4. COLOR: ORANGE.

SIGNATURE & DATE	
DR	V. TOMSA MAR-18-98.
CHK	D. Meyer 3/31/98
PE	Richard P. ... 11R-31-78
APPD	R. Ried 3/31/98
SCALE	4:1
WT	

WEDGE LOCK  
FOR 2 CONT. PLUG  
HOUSING  
DTP SERIES

ENVELOPE

CP EP045	MATL. CODE
<b>The Deutch Company</b> DEUTSCH I.P.D. 3850 INDUSTRIAL AVE. HEMET, CALIF. 92545	
<b>B</b>	<b>WP-2S</b>
DWG SIZE	CODE 11139 SHEET   OF