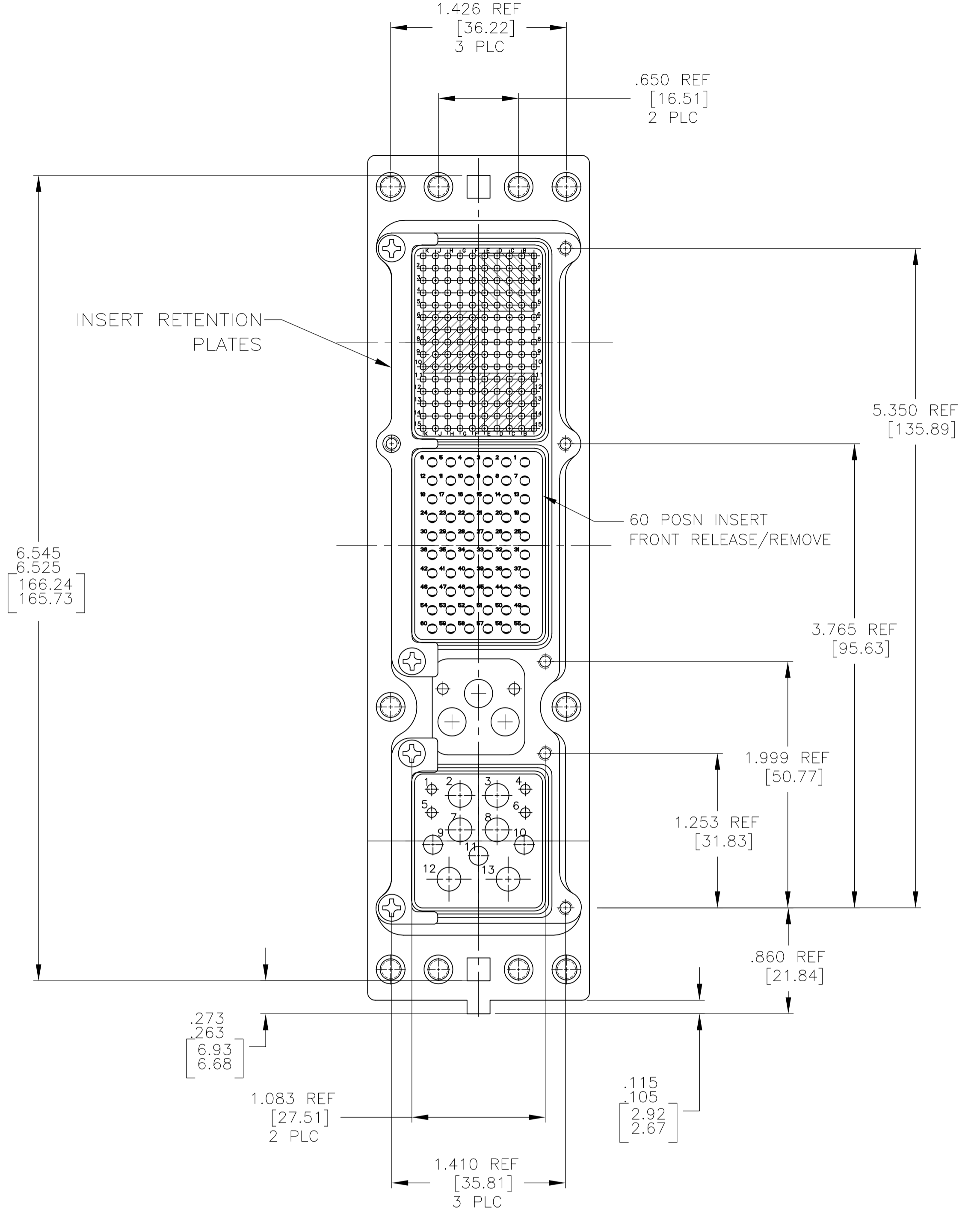
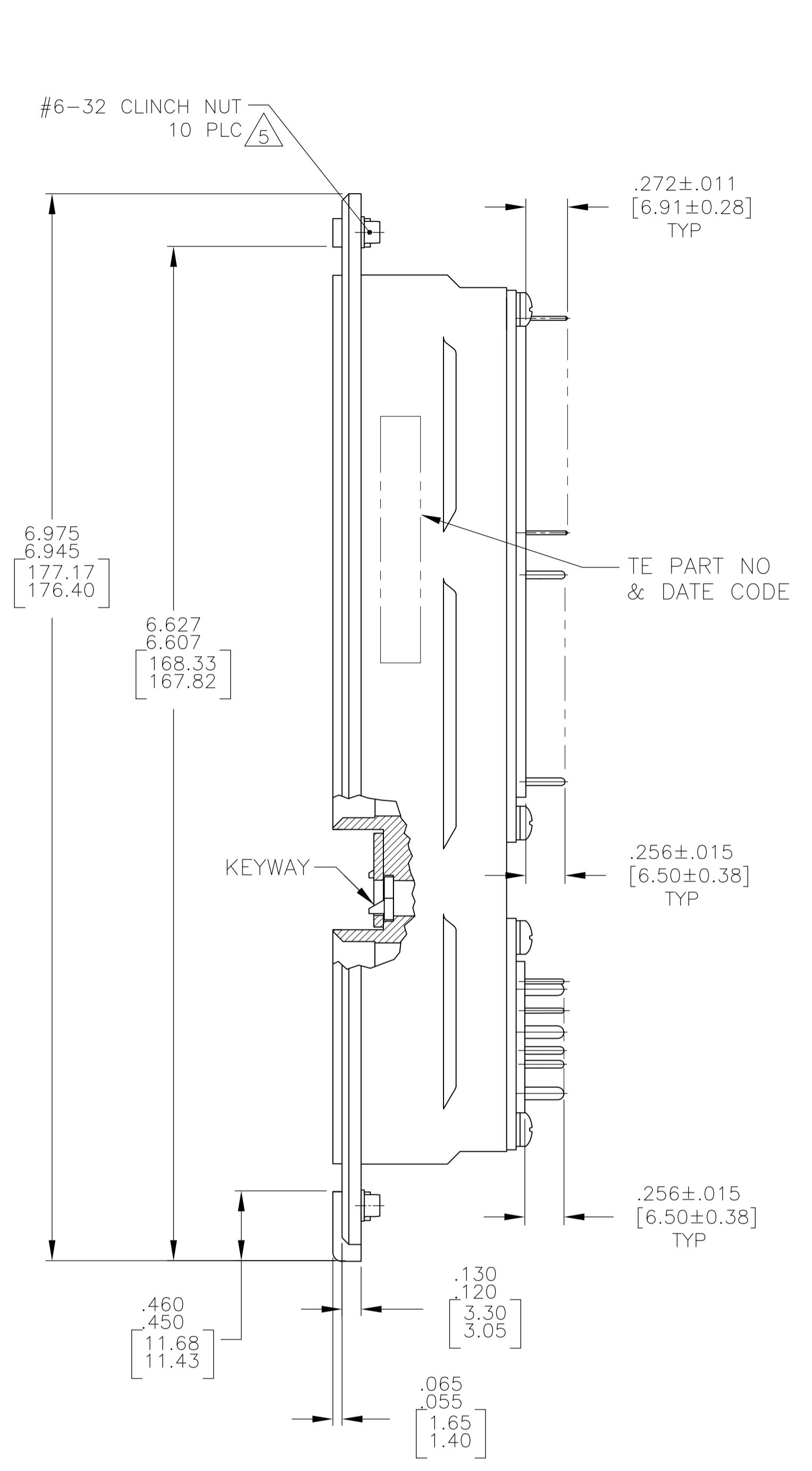
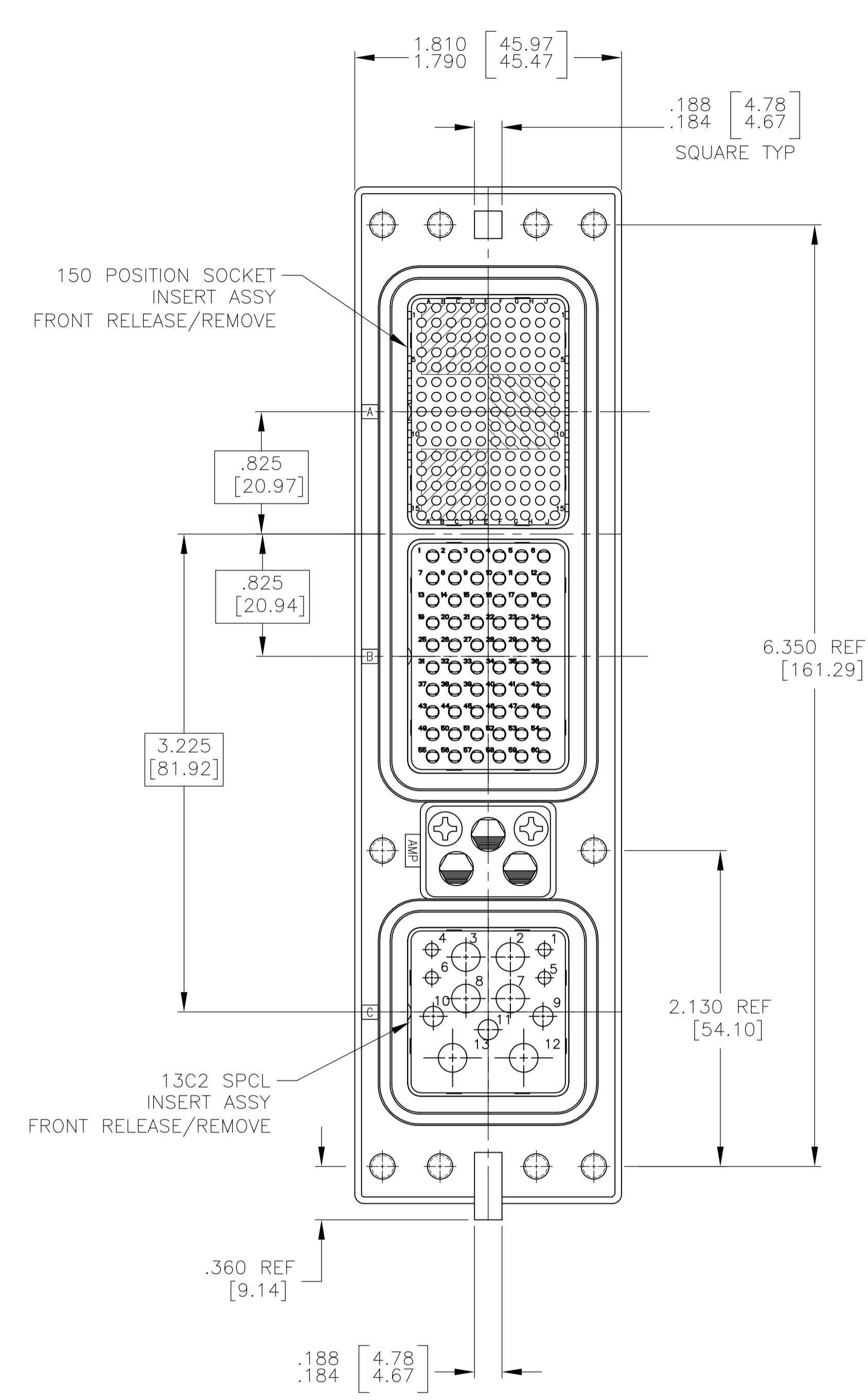


REVISONS		DATE	DWN	APVD
P	LTR	DESCRIPTION		
B	REV PER ECO-10-003904		24FEB10	PY KT



2101457-1 SHOWN

- CONNECTOR DIMENSIONS ARE PER ARINC 600 SPECIFICATION.
 - CONNECTOR IS SUPPLIED WITH A DUST COVER INSTALLED; NOT SHOWN.
 - KEYING SHOWN IN POSITION "01" FOR ILLUSTRATION ONLY. CONNECTORS SHIPPED WITH KEYING INSTALLED IN POSITION PER TABLE. FOR POSITION "00" KEYING HARDWARE SHIPPED UNASSEMBLED.
 - CONTACTS NOT SHOWN IN FRONT & REAR VIEWS FOR CLARITY.
- 5 STEEL CLINCH NUTS ELLIPTICALLY DEFORMED COATED WITH A DRY MOLY LUBE FILM.
- 6 CONTACTS INSTALLED IN SHADED AREAS PER SHEET 2
- 7 ALL CONTACTS INSTALLED.

COMPONENT	MATERIAL	FINISH
SHELL	DIE CAST ALUMINUM PER ASTM-B-85	ELECTROLESS NICKEL PER MIL-C-26074
INSERT RETENTION PLATES	ALUMINUM ALLOY PER ASTM-B-209	CHROMATE PER MIL-DTL-5541
SCREWS AND LOCKWASHERS	STEEL OR STAINLESS STEEL	CHROMATE OVER ZINC PASSIVATED
POLARIZING KEYS	ZINC ALLOY PER ASTM-B-86	-
POLARIZING KEY RETAINING PLATE	ALUMINUM ALLOY PER ASTM-B-209	BLUE ANODIZED PER MIL-A-8625
INSERTS	THERMOSET OR THERMOPLASTIC PPS PER MIL-M-24519	-

KEYING POSITION	CONTACTS INCLUDED	PART NUMBER
"00"	MODULE A 211431-4 (SZ 22 SOCKET CONTACT; QTY=89) MODULE B 1-448138-2 (SZ 20 POSTED PIN CONTACT; QTY=34) MODULE C 1-448140-8 (SZ 12 POSTED PIN CONTACT; QTY=5) 1-448139-4 (SZ 16 POSTED PIN CONTACT; QTY=3)	6 2101457-2
"00"	MODULE A 211431-4 (SZ 22 SOCKET CONTACT; QTY=150) MODULE B 1-448138-2 (SZ 20 POSTED PIN CONTACT; QTY=60) MODULE C 1-448140-8 (SZ 12 POSTED PIN CONTACT; QTY=6) 1-448139-4 (SZ 16 POSTED PIN CONTACT; QTY=3) 1-448138-2 (SZ 20 POSTED PIN CONTACT; QTY=4)	7 2101457-1

THIS DRAWING IS A CONTROLLED DOCUMENT.

DIMENSIONS: INCHES [mm]

TOLERANCES UNLESS OTHERWISE SPECIFIED:
 0 PLC ± -
 1 PLC ± -
 2 PLC ± -
 3 PLC ± -
 4 PLC ± -
 ANGLES ± -

MATERIAL SEE TABLE FINISH SEE TABLE

DWN C.C.THOMAS 6-23-09
 CHK K.THACKSTON 6-23-09
 APVD K.THACKSTON 6-23-09

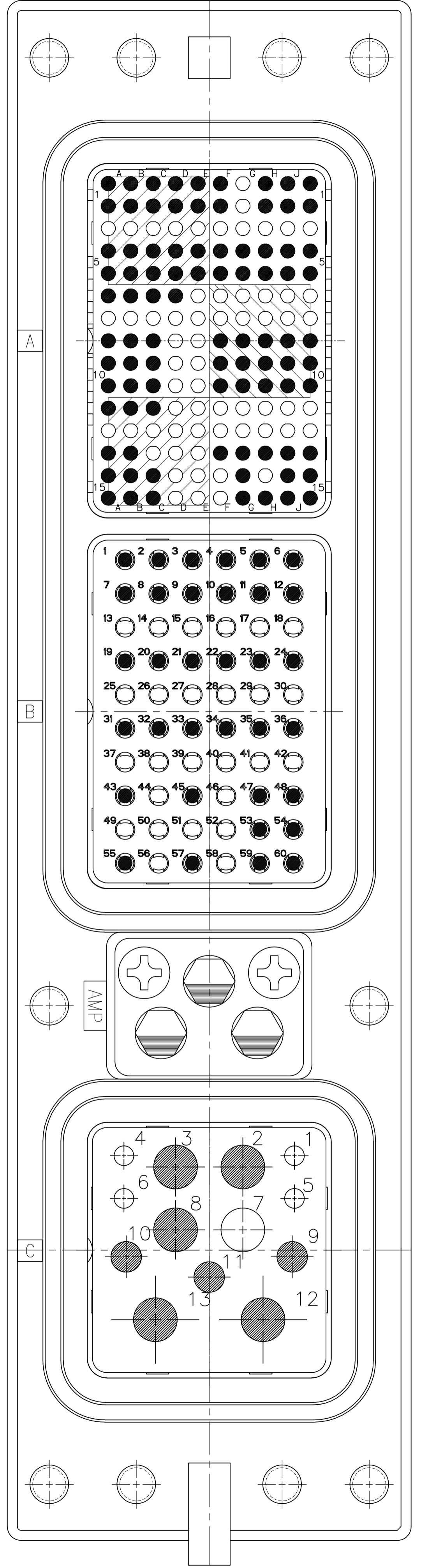
Tyco Electronics Corporation
 Harrisburg, Pa 17105-3608

RCPT ASSY, SIZE 2, ARINC 600 (150/60/13C2 SPCL)

SIZE A1 CAGE CODE 00779 DRAWING NO. 2101457

CUSTOMER DRAWING SCALE 3:2 SHEET 1 OF 2 REV B

LOC		DIST		REVISIONS			
P	LTR	DESCRIPTION	DATE	DNW	APVD		
-	-	SEE SHEET 1	-	-	-	-	-



2101457-2 SHOWN

THIS DRAWING IS A CONTROLLED DOCUMENT.		DNW C.C.THOMAS 6-23-09	Tyco Electronics Corporation Harrisburg, Pa 17105-3608	
DIMENSIONS: INCHES [mm]		CHK K.THACKSTON 6-23-09	NAME RCPT ASSY, SIZE 2, ARINC 600 (150/60/13C2 SPCL)	
TOLERANCES UNLESS OTHERWISE SPECIFIED:		APVD K.THACKSTON 6-23-09	RESTRICTED TO	
0. PLC ± -		APPLICATION SPEC		
1. PLC ± -		SIZE		
2. PLC ± -		CAGE CODE		
3. PLC ± -		DRAWING NO		
4. PLC ± -		WEIGHT		
ANGLES ± -		A1 00779 C=2101457		
MATERIAL SEE TABLE	FINISH SEE TABLE	CUSTOMER DRAWING		SCALE 3:2 SHEET 2 OF 2 REV B