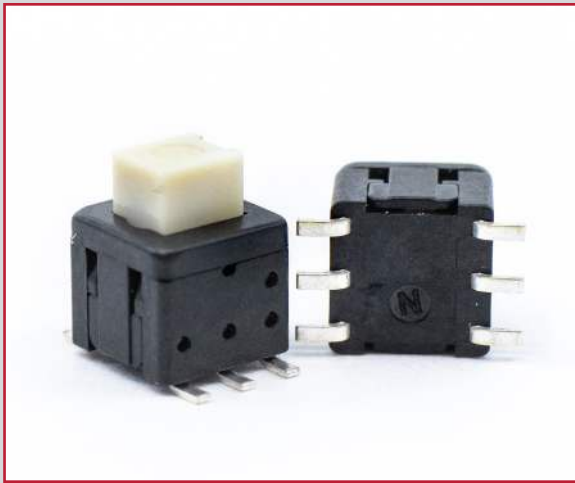
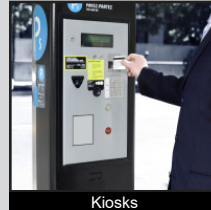


# TL2233 SERIES PUSHBUTTON SWITCH

ANTI-VANDAL SWITCHES  
 DETECTOR SWITCHES  
 DIP SWITCHES  
 KEYLOCK SWITCHES  
 NAVIGATION SWITCHES  
**PUSHBUTTON SWITCHES**  
 ROCKER SWITCHES  
 ROTARY SWITCHES  
 SLIDE SWITCHES  
 SNAP ACTION SWITCHES  
 TACTILE SWITCHES  
 TOGGLE SWITCHES  
 CAP OPTIONS



## APPLICATIONS / MARKETS



**RoHS**

## SPECIFICATIONS

**Electrical Rating:** 100mA @ 30VDC  
**Contact Arrangement:** DPDT  
**Electrical Life:** 10,000 Cycles  
**Contact Resistance:** 100mΩ Max. initial  
**Insulation Resistance:** 100MΩ Min. @ 100VDC  
**Dielectric Strength:** 250VAC for 1 Minute  
**Travel:** 1.90mm  
**Actuation Force:** 250 gf ± 80 gf  
**Operating Temperature:** -10°C to 60°C

## FEATURES & BENEFITS

- Surface mount design
- Long electrical life
- Momentary function
- Wave solderable

## PART NUMBER CONFIGURATOR

**Series**  
      
 TL2233

**Function**  
   
 OA - Momentary

*Specifications subject to change without notice 8.18.2021*



**E-SWITCH®**

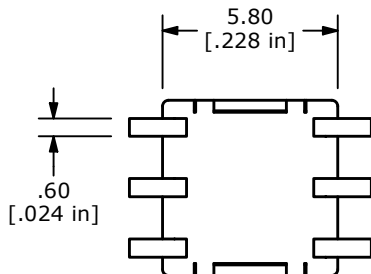
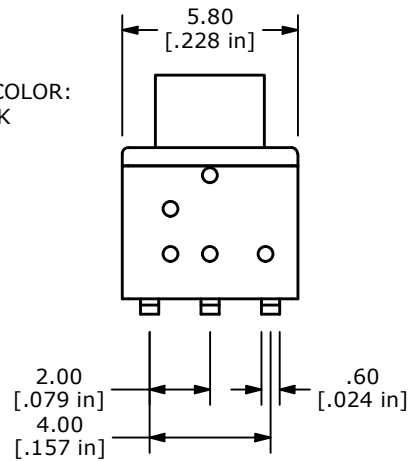
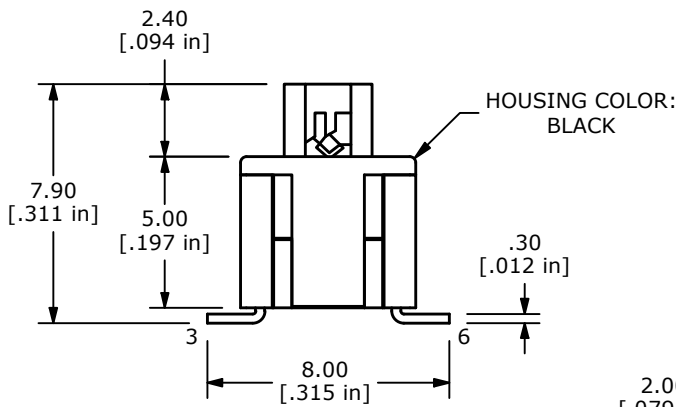
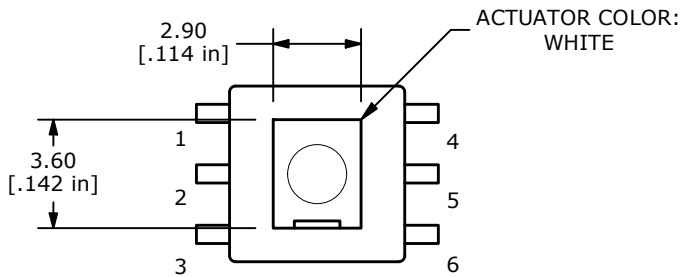
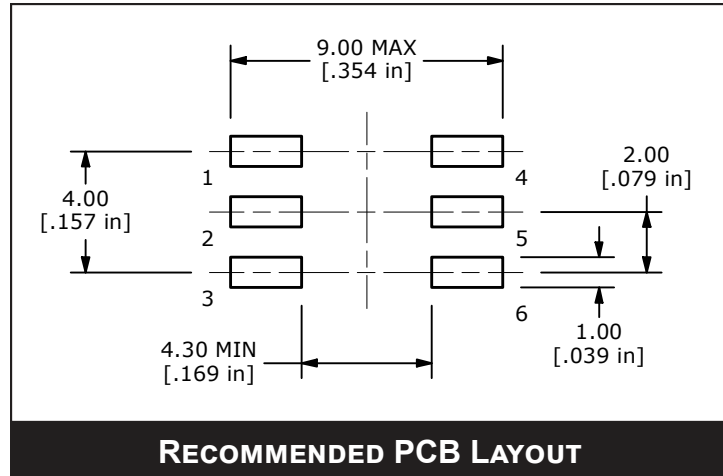
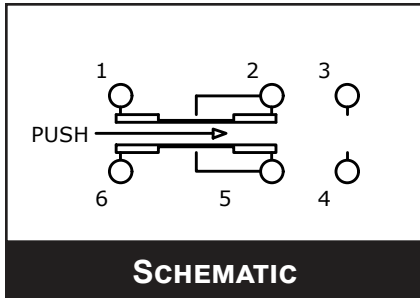
www.e-switch.com

800.867.2717

1

# TL2233 SERIES PUSHBUTTON SWITCH

## BODY DIMENSIONS





# TL2233 SERIES PUSHBUTTON SWITCH

## RECOMMENDED SOLDER PROCESS

Most contamination problems can be prevented by exercising care during the cleaning and soldering process. Care should be taken not to immerse or spray unsealed switches during flux removal. Contact E-Switch for specific soldering recommendations and specifications not shown. Generalized soldering procedures are outlined below.

### “TYPICAL” SMT REFLOW (Pb and Pb-Free)

Profile Feature	Sn-Pb Eutectic Assembly	Pb-Free Assembly
Average Ramp-Up Rate (T <sub>smax</sub> to T <sub>p</sub> )	3 °C/second max.	3 °C/second max.
<b>Preheat</b>		
-Temperature Min (T <sub>smin</sub> )	100 °C	150 °C
-Temperature Max (T <sub>smax</sub> )	150 °C	200 °C
-Time (t <sub>smin</sub> to t <sub>smax</sub> )	60-120 seconds	60-180 seconds
Time Maintained above:		
-Temperature (T <sub>L</sub> )	183 °C	217 °C
-Time (t <sub>L</sub> )	60-150 seconds	60-150 seconds
Time within 5 °C of actual Peak Temperature (t <sub>p</sub> )	10-30 seconds	20-40 seconds
Ramp-Down Rate	6 °C/second max.	6 °C/second max.
Time 25 °C to Peak Temperature	6 minutes max.	8 minutes max.

*Note 1: All temperatures refer to topside of the package, measured on the package surface.*

