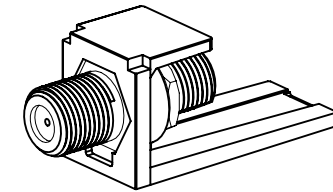
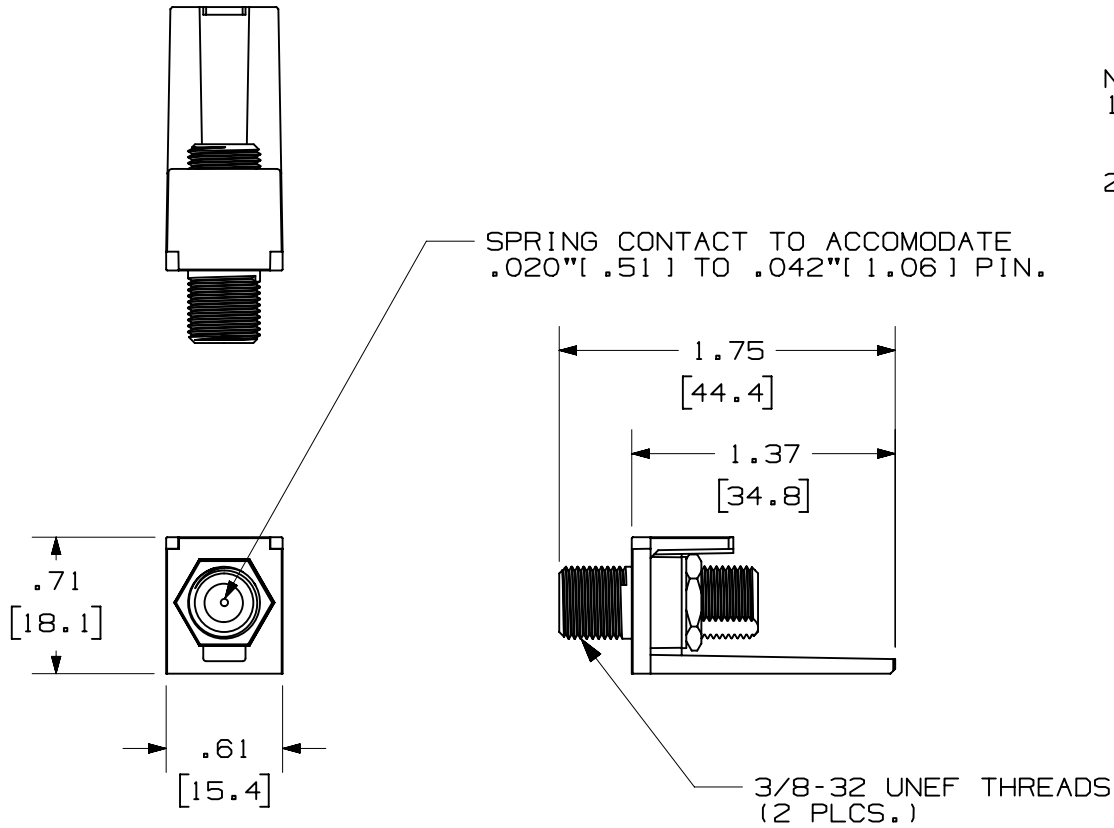


THIS COPY IS PROVIDED ON A RESTRICTED BASIS AND IS NOT TO BE USED IN ANY WAY DETRIMENTAL TO THE INTERESTS OF PANDUIT CORP.

PANDUIT P/N	WEIGHT
CMF**	.17 LB/10 PCS (78 g/10 PCS)

NOTES:

- SEE CURRENT CATALOG FOR ADDITIONAL PART SUFFIXES TO INDICATE COLOR AND OR PACKAGE QUANTITY.
- DIMENSIONS IN PARENTHESES ARE IN METRIC.



PART NUMBER		CMF**	
TITLE			
MINI-COM 3GHz F-TYPE COUPLER MODULE			
CUSTOMER DRAWING			
ITEM REVISION NAME		M01557AA/01	
DATASET FILE NAME		M01557AA_DC04/01A	
UNLESS OTHERWISE SPECIFIED, DIMENSIONAL TOLERANCES ARE: IN [mm]			MATERIAL: MODULE BASE: ABS COUPLER: NICKEL PLATED BRASS
$.x \pm .03$ [0.8] $.xxx \pm .010$ [0.3] ANGLES \pm			
THIRD ANGLE PROJECTION			DRAWING NUMBER: 01557-04
DRAWN BY	DATE	CHK	SCALE
JSP	3-16-04	JCO	NONE
SHT 1 OF 1			SIZE A

REV	DATE	BY	CHK	APR	DESCRIPTION	ECN
2	1-20-17	MDJR	NAGL	AMY	B. UPDATED DRAWING WITH NEW MODEL.	01557-04
1	6/10/14	JSP	REFR	MMR	A. REVISED DRAWING TITLE BLOCK.	01557-04
R	3-16-06	JSP	JCO	JCO	RELEASED TO PRODUCTION	01557-04

D10100DA/14