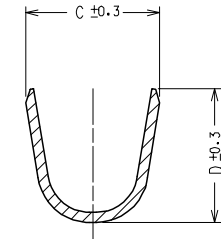
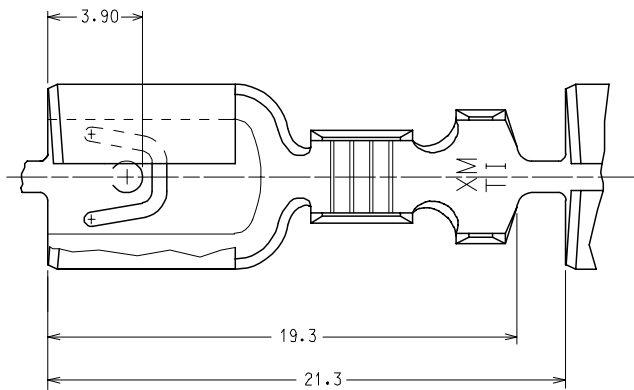


SECTION A - A



SECTION B - B



CODICE P/N	FINITURA PLATING	MATERIALE MATERIAL	SEZ. RAME WIRE RANGE	Ø ISOLANTE INS. RANGE	DIMENSIONI / DIMENSION							CONFEZIONAMENTO PACKING QUANTITY
					A	B	C	D	E	F	G	
94513 - 0100	greggio/plain	ottone brass	0.5 - 1.0	2.0 - 3.3	3.0	3.0	4.5	4.5	4.2	2.4	8.3	21.000 pezzi/pcs.
94513 - 0101	stagnato/tin		1.0 - 2.5	2.7 - 4.3	3.8	4.0	5.5	5.5	4.2	2.5	8.5	18.000 pezzi/pcs.
94513 - 0200	greggio/plain	alpacca german silver	0.5 - 1.0	2.0 - 3.3	3.0	3.0	4.5	4.5	4.2	2.4	8.3	21.000 pezzi/pcs.
94513 - 0201	stagnato/tin		1.0 - 2.5	2.7 - 4.3	3.8	4.0	5.5	5.5	4.2	2.5	8.5	18.000 pezzi/pcs.
94513 - 0130	greggio/plain	alpacca german silver	0.5 - 1.0	2.0 - 3.3	3.0	3.0	4.5	4.5	4.2	2.4	8.3	21.000 pezzi/pcs.
94513 - 0230			1.0 - 2.5	2.7 - 4.3	3.8	4.0	5.5	5.5	4.2	2.5	8.5	18.000 pezzi/pcs.
94513 - 0111	nichelato nickel	acciaio steel	0.5 - 1.0	2.0 - 3.3	3.0	3.0	4.5	4.5	4.2	2.4	8.3	21.000 pezzi/pcs.
94513 - 0211			1.0 - 2.5	2.7 - 4.3	3.8	4.0	5.5	5.5	4.2	2.5	8.5	18.000 pezzi/pcs.

-SPECIFICA DI RIFERIMENTO : PS 94513

IMPIEGATO CON HOUSING 94504-0100

-REFERENCE SPECIFICATION : PS 94513

TO BE USED WITH HOUSING P/N 94504-0100

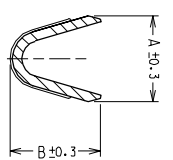
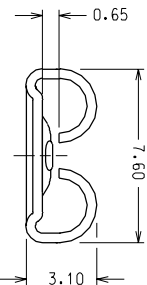
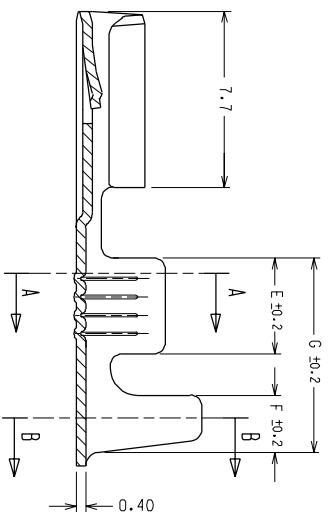
-CONFEZIONE STANDARD : 3 BOBINE x SCATOLA (ved. tab.)

-STANDARD PACKING QUANTITY : 3 REELS x BOX (see chart)

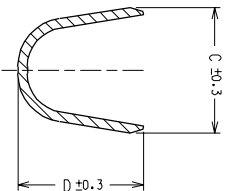
Std.Descr.: LIF FEM TERM [material] [plating] [wire range]

e.g.: LIF FEM TERM GERMAN SILVER UNPL 1.0-2.5

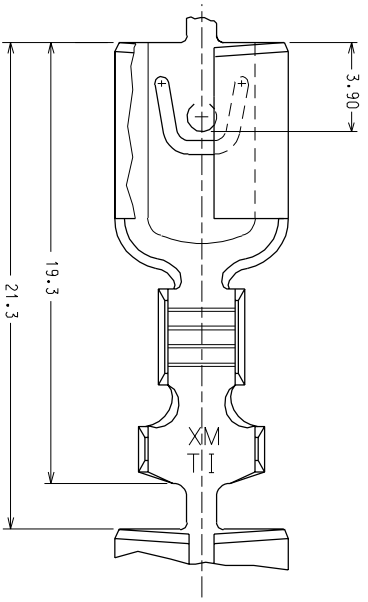
ENTER DESCRIPTION EC NO: Z2005-0082 DRAWN:FGOTTARD 2004/12/02 CHKD:RSANDANO 2004/12/02 APPR:GZUIN 2004/12/09	QUALITY SYMBOLS ▽=0 ▽C=0	GENERAL TOLERANCES (UNLESS SPECIFIED)		DIMENSION STYLE MM ONLY		SCALE 5:1	DESIGN UNITS METRIC	FIRST ANGLE PROJECTION		
			mm	INCH	DRAWN BY LSANTESS	DATE 1991/11/18	TITLE QIK KONNECT RECEPTACLE FOR 6.3 X 0.8 TABS -LIF-			
		4 PLACES	± ---	± ---	CHECKED BY	DATE				
		3 PLACES	± ---	± ---	APPROVED BY MPREVIAT		DATE 1991/11/18	MOLEX INCORPORATED		
2 PLACES	± 0.1	± ---	MATERIAL NO.		DOCUMENT NO. SD-94513-001	SHEET NO. 1 OF 1				
1 PLACE	± 0.2	± ---	DRAFT WHERE APPLICABLE MUST REMAIN WITHIN DIMENSIONS		SIZE A3	THIS DRAWING CONTAINS INFORMATION THAT IS PROPRIETARY TO MOLEX INCORPORATED AND SHOULD NOT BE USED WITHOUT WRITTEN PERMISSION				
ANGULAR ± 3 °										



SECTION A - A

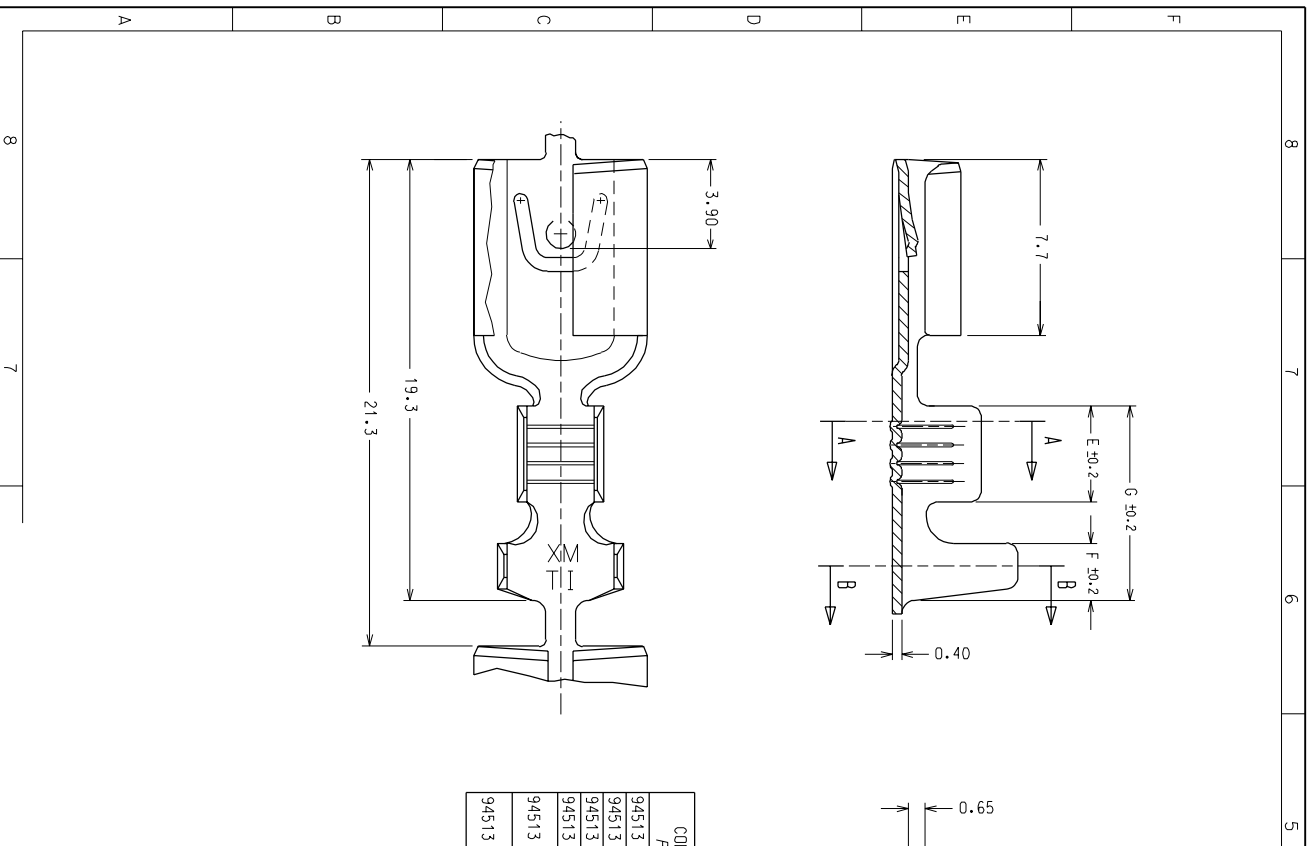


SECTION B - B



CODICE P/N	FINITURA PLATING	MATERIALE	SEZ. RANGE WIRE RANGE	Ø ISOLANTE INS. RANGE	DIMENSIONI / DIMENSION							CONFEZIONAMENTO PACKING QUANTITY
					A	B	C	D	E	F	G	
94513 - 0100	gr eggio/pldn	ottone	0.5 - 1.0	2.0 - 3.3	3.0	3.0	4.5	4.5	4.2	2.4	8.3	21.000 pezzi/pcs.
94513 - 0101	stagnato/th	brass	1.0 - 2.5	2.7 - 4.3	3.8	4.0	5.5	5.5	4.2	2.5	8.5	18.000 pezzi/pcs.
94513 - 0200	gr eggio/pldn	ottone	1.0 - 2.5	2.7 - 4.3	3.8	4.0	5.5	5.5	4.2	2.5	8.5	18.000 pezzi/pcs.
94513 - 0201	stagnato/th	brass	1.0 - 2.5	2.7 - 4.3	3.8	4.0	5.5	5.5	4.2	2.5	8.5	18.000 pezzi/pcs.
94513 - 0130	gr eggio/pldn	dipoccd german silver	0.5 - 1.0	2.0 - 3.3	3.0	3.0	4.5	4.5	4.2	2.4	8.3	21.000 pezzi/pcs.
94513 - 0230	gr eggio/pldn	ottone	1.0 - 2.5	2.7 - 4.3	3.8	4.0	5.5	5.5	4.2	2.5	8.5	18.000 pezzi/pcs.

-SPECIFICA DI RIFERIMENTO : PS 94513
 -REFERENCE SPECIFICATION : PS 94513
 -CONFEZIONE STANDARD : 3 BOBINE x SCATOLA (ved. tab.)
 -STANDARD PACKING QUANTITY : 3 REELS x BOX (see chart)



A3	ECN Z7-014 24-07-97 mod. spessore G.F.
A2	ECN Z5-006 09-01-95 Agg.rif. PS 94513 S.L.
A1	ECN Z3-127 27-09-93 Agg.art.in alpacco G.F.
A	EMESSO DISEGNO 18-11-91 S. L.
LTR	REVISIONS
	DESIGN DIMENSION (PRIMARY) □ IN
	EQUIVALENT DIMENSION (SECONDARY) □ IN.
	DIMENSIONS SHOWN (METRIC) INCH
	UNLESS OTHERWISE SPECIFIED TOLERANCES ANGLES ± 3°
	3 PLACE ±
	2 PLACE ±
	1 PLACE ± 0.20
	DESIGN DIMENSION (PRIMARY) □ IN
	EQUIVALENT DIMENSION (SECONDARY) □ IN.
	DRAWN BY L. SOTTOSO
	CHECK'D BY
	APP'D BY M. Previcchio
	SCALE 5 : 1
	CAD FILE: 94513005
	THIS DRAWING CONTAINS INFORMATION THAT IS PROPRIETARY TO MOLEX INC AND SHOULD NOT BE USED WITHOUT WRITTEN PERMISSION
	TITLE CARPORDA FEMMINA PER MASCHIO 6.3 x 0.8 -LIF- DK KONECT RECEPTACLE FOR 6.3 x 0.8 TABS -LIF-
	REVISE ONLY ON CAD SYSTEM
	SH. REV.
	SHEET NO./DATE 1/1 18-11-91
	MOLEX INCORPORATED
	PART NO. SEE CHART
	DWG NO. SD 94513-0XXX
	SIZE M B