



Silicone protection cap for Twin pushbutton, high, clear

product brand name	SIRIUS ACT
product designation	Silicone protective cap
design of the product	for twin pushbuttons, raised
product type designation	3SU1
<b>General technical data</b>	
protection class IP	IP66, IP67
degree of protection NEMA rating	1, 2, 3, 3R, 4, 4X, 12
<b>Ambient conditions</b>	
<ul style="list-style-type: none"> <li>ambient temperature during operation</li> <li>ambient temperature during storage</li> </ul>	-25 ... +70 °C -40 ... +80 °C
<b>Installation/ mounting/ dimensions</b>	
height	60 mm
width	32.1 mm
depth	25.9 mm
<b>Accessories</b>	
material of accessory	Plastic
color of accessory	clear
<b>Certificates/ approvals</b>	
General Product Approval	Declaration of Conformity



[Miscellaneous](#)

[Miscellaneous](#)

Declaration of Conformity	Test Certificates	Marine / Shipping			
	<a href="#">Type Test Certificates/Test Report</a>				
Marine / Shipping	other				



Further information

Information- and Downloadcenter (Catalogs, Brochures,...)

<https://www.siemens.com/ic10>

Industry Mall (Online ordering system)

<https://mall.industry.siemens.com/mall/en/en/Catalog/product?mlfb=3SU1900-0DH70-0AA0>

Cax online generator

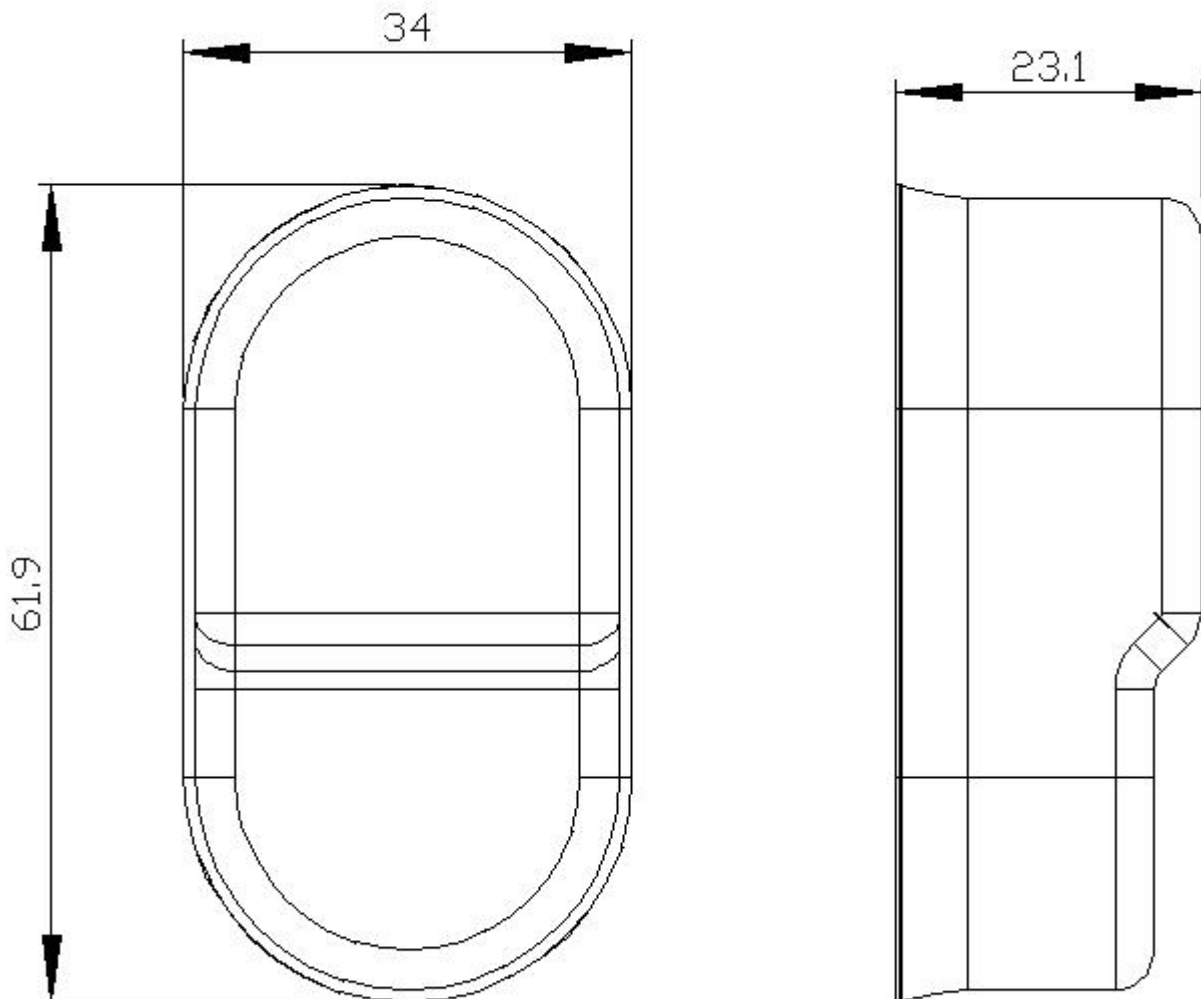
<http://support.automation.siemens.com/WW/CAXorder/default.aspx?lang=en&mlfb=3SU1900-0DH70-0AA0>

Service&Support (Manuals, Certificates, Characteristics, FAQs,...)

<https://support.industry.siemens.com/cs/ww/en/ps/3SU1900-0DH70-0AA0>

Image database (product images, 2D dimension drawings, 3D models, device circuit diagrams, EPLAN macros, ...)

[http://www.automation.siemens.com/bilddb/cax\\_de.aspx?mlfb=3SU1900-0DH70-0AA0&lang=en](http://www.automation.siemens.com/bilddb/cax_de.aspx?mlfb=3SU1900-0DH70-0AA0&lang=en)



last modified:

10/22/2020