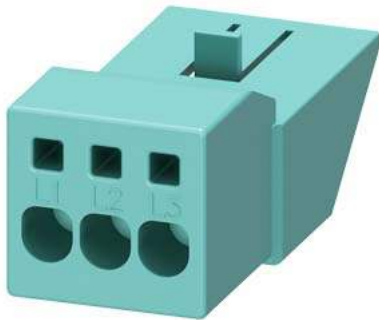


Terminal block Device infeed



<b>product brand name</b>	SIRIUS	
<b>product designation</b>	Terminal block	
<b>design of the product</b>	for power outlet	
<b>General technical data</b>		
<b>size of the circuit-breaker</b>	S00, S0	
insulation voltage with degree of pollution 3 at AC rated value	500 V	
<b>certificate of suitability</b>	CE / UL / CSA / CCC	
<b>Substance Prohibition (Date)</b>	03/01/2017	
<b>ampacity maximum</b>	32 A	
<b>Ambient conditions</b>		
<b>ambient temperature</b>		
• during operation	-20 ... +60 °C	
• during storage	-50 ... +80 °C	
<b>Safety related data</b>		
<b>protection class IP on the front according to IEC 60529</b>	IP20	
<b>touch protection on the front according to IEC 60529</b>	finger-safe, for vertical contact from the front	
<b>Installation/ mounting/ dimensions</b>		
<b>height</b>	25 mm	
<b>width</b>	26 mm	
<b>depth</b>	60 mm	
<b>Connections/ Terminals</b>		
type of electrical connection for main current circuit	spring-loaded terminals	
<b>type of connectable conductor cross-sections</b>		
• for main contacts		
— solid	1x (1 ... 10 mm <sup>2</sup> )	
— stranded	1x (1 ... 10 mm <sup>2</sup> )	
— finely stranded with core end processing	1x (1 ... 6 mm <sup>2</sup> )	
• for AWG cables for main contacts	1x (18 ... 8)	
<b>connectable conductor cross-section for main contacts</b>		
• solid or stranded	1 ... 10 mm <sup>2</sup>	
• stranded	1 ... 10 mm <sup>2</sup>	
• finely stranded with core end processing	1 ... 6 mm <sup>2</sup>	
AWG number as coded connectable conductor cross section for main contacts	18 ... 8	
<b>Approvals Certificates</b>		
<b>General Product Approval</b>	<b>Declaration of Conformity</b>	<b>Test Certificates</b>

[Confirmation](#)



[Type Test Certificates/Test Report](#)

Marine / Shipping

other

Environment



[Confirmation](#)



[Environmental Confirmations](#)

#### Further information

Siemens has decided to exit the Russian market (see here).

<https://press.siemens.com/global/en/pressrelease/siemens-wind-down-russian-business>

Siemens is working on the renewal of the current EAC certificates.

Please contact your local Siemens office on the status of validity of the EAC certification if you intend to import or offer to supply these products to an EAC relevant market (other than the sanctioned EAEU member states Russia or Belarus).

Information on the packaging

<https://support.industry.siemens.com/cs/ww/en/view/109813875>

Information- and Downloadcenter (Catalogs, Brochures,...)

<https://www.siemens.com/ic10>

Industry Mall (Online ordering system)

<https://mall.industry.siemens.com/mall/en/en/Catalog/product?mlfb=3RV2917-5FA00>

Cax online generator

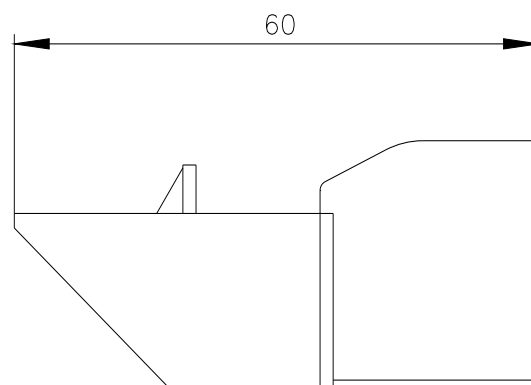
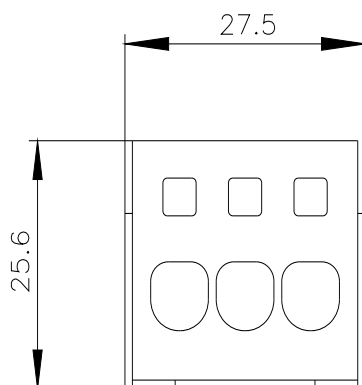
<http://support.automation.siemens.com/WW/CAXorder/default.aspx?lang=en&mlfb=3RV2917-5FA00>

Service&Support (Manuals, Certificates, Characteristics, FAQs,...)

<https://support.industry.siemens.com/cs/ww/en/ps/3RV2917-5FA00>

Image database (product images, 2D dimension drawings, 3D models, device circuit diagrams, EPLAN macros, ...)

[http://www.automation.siemens.com/bilddb/cax\\_de.aspx?mlfb=3RV2917-5FA00&lang=en](http://www.automation.siemens.com/bilddb/cax_de.aspx?mlfb=3RV2917-5FA00&lang=en)



last modified:

12/15/2020