



# LP-1001TS

## Reed Switch Chain



### Electrical Characteristics (of unmodified Reed Switch)

@ 25°C

|                        |        |     |
|------------------------|--------|-----|
| Contact form           |        | A   |
| Contact material       |        | Ru  |
| Contact rating max.    | W / VA | 10  |
| Switching voltage max. | VDC    | 180 |
|                        | VAC    | 130 |
| Switching current max. | A      | 0.7 |
| Carry current max.     | A      | 1   |
| Breakdown voltage min. | VDC    | 200 |

### Magnetical Characteristics (of unmodified Reed Switch)

@ 25°C

|                          |      |         |
|--------------------------|------|---------|
| Pull in range available  | AT   | 15 - 20 |
| Drop out min.            | AT   | 4       |
| Test coil                | TC   | 010     |
| Test equipment tolerance | ± AT | 2       |

### Environmental Characteristics

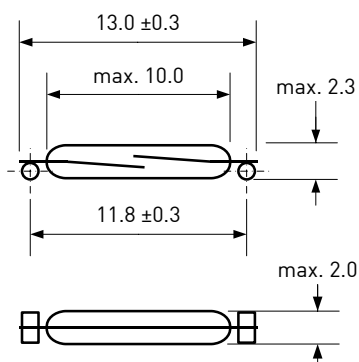
|   |    |      |
|---|----|------|
| Operating temperature max.                | °C | +125 |
| Vibration (50-2000 Hz)                    | g  | 20   |
| Shock (1/2 sin 11 ms)                     | g  | 50   |
| Soldering temperature max. (max. 10 sec.) | °C | +300 |

### Life Expectancy (of single Reed Switch)

| Resistive load | Voltage  | Current | Operations          |
|----------------|----------|---------|---------------------|
|                | 0.02 VDC | 0.01 A  | 2 x 10 <sup>9</sup> |
|                | 10 VDC   | 0.01 A  | 5 x 10 <sup>7</sup> |

### Material information

|               |  |
|---------------|--|
| PCB           | 03020490 50 5 PCB 260.4x8.4x1.6                        |
| Resistors     | SMD R0805 1 kOhm ±1%, 50pcs (49 front, 1 reverse side) |
| Reed Switches | PMC-1001TS 15-20 AT, 50 pcs                            |



Product image serves as example only.

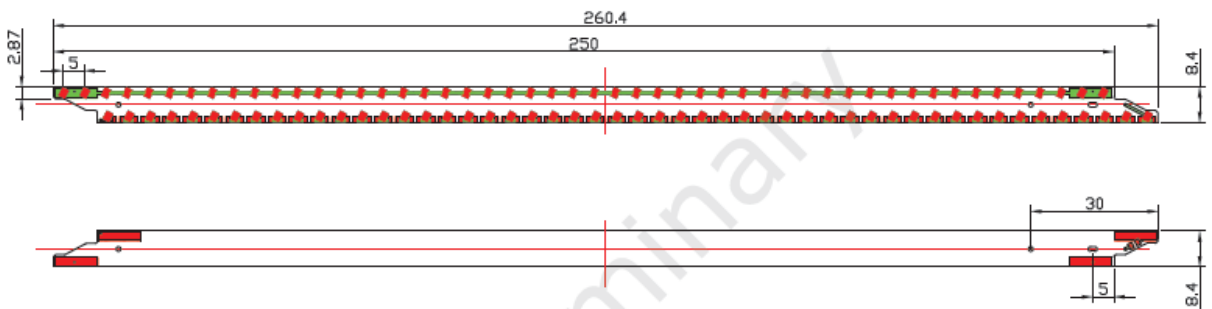


# LP-1001TS

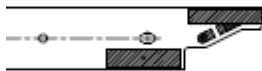
## Reed Switch Chain



### Dimensions in mm



### Reverse side



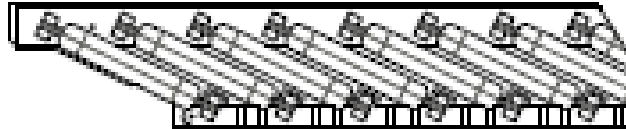


# LP-1001TS

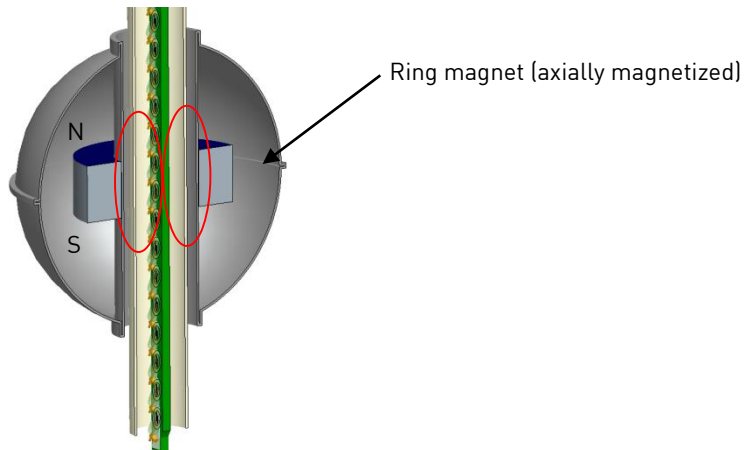
## Reed Switch Chain



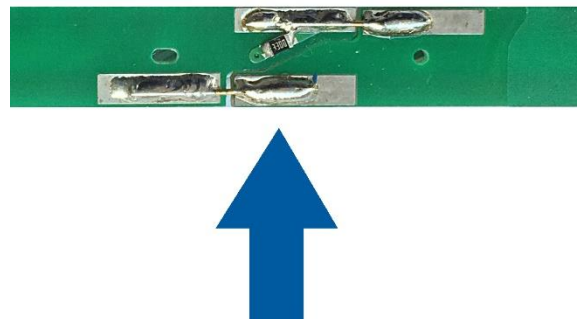
Schematic diagram



Example of activation



Example of contact and combination of PCBs



**Recommended inside diameter of tube: 8.4 mm**