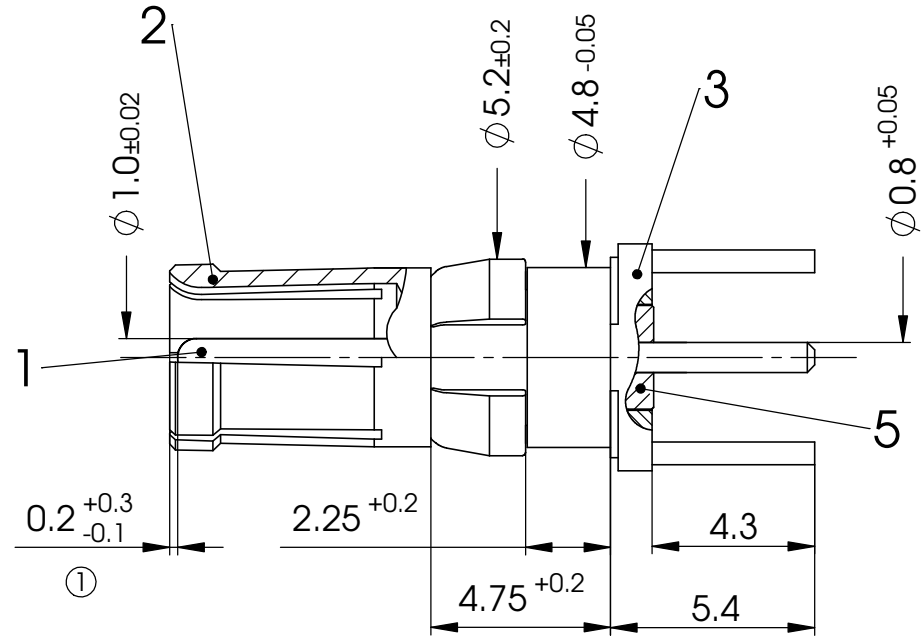
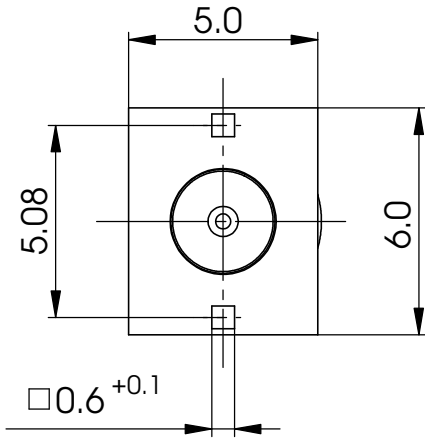
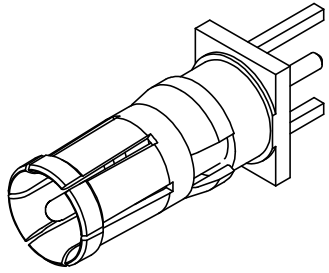
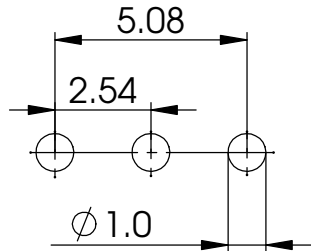


COMMENT:
 ALL RIGHTS ARE RESERVED BY US FOR THIS DRAWING. WITHOUT OUR PRIOR CONSENT,
 IT MAY NEITHER BE DUPLICATED NOR MADE AVAILABLE TO A THIRD PARTY,
 AND IT ALSO MAY NOT BE IMPROPERLY USED BY THE RECEIVER, OR A THIRD PARTY.



PCB-Layout



IMPEDANCE		50 Ohm	<i>COAXIAL CONTACT</i>		SCALE	CABLE	
FOR		D-SUB			5:1		
DIMENSIONS IN MM			DRAWN	03-05-2006	NAME		
MATERIAL + FINISH SEE EXTRA SHEET			CHECKED	10-05-2006	msteinbrueck		
UNLESS OTHERWISE SPECIFIED DIMENSIONS FOR REFERENCE ONLY			 www.fctgroup.com			PART NO.	REV.
1	10-05-2006	11331				FME010S	1
REV.	DATE	INDEX	ORIGINAL: DIN A4-DRAWING AS A FILE			REPLACEMENT FOR:	PAGE: 1/1