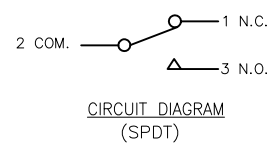
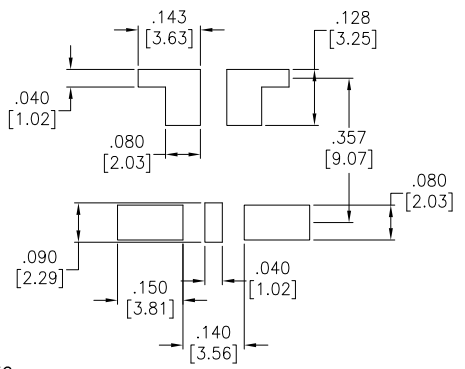
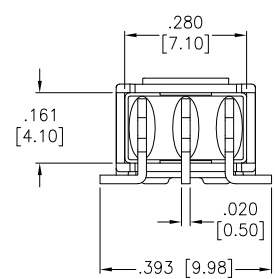
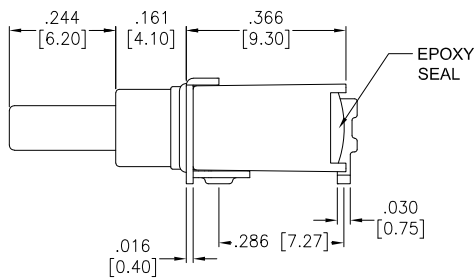
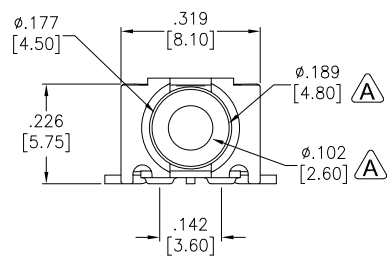
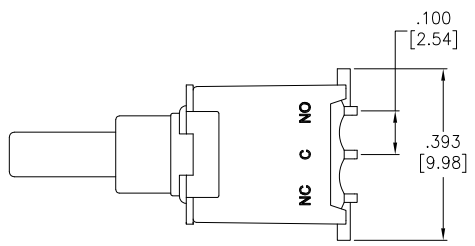


6	5	4	3	2	1
APPROVED: _____			Rev	AWO #	Description
DATE: _____ TITLE: _____			-		RELEASED
					Date
					9/22/21
					Appr



BUTTON POSITION		
FUNCTION	ON	MOM
TERMINALS	2-1	2-3

SPECIFICATIONS:
 Material:
 Case: PA9T, Rated UL94V-0
 Plunger: FR52, Rated UL94V-0
 Bushing: PA9T, Rated UL94V-0
 Movable Contact: Copper Alloy, Gold over Nickel under plate.
 Terminal: Copper Alloy, Gold over Nickel under plate.
 Electrical:
 Rating: 0.4A max @ 20V AC or DC
 Contact resistance: 20 mΩ max
 Insulation resistance: 1,000 Mohms min
 Dielectric withstanding voltage: 1,500V RMS @Sea level
 Life: 30,000 cycles at full load
 Temperature Rating:
 Operating temperature: -30°C to +85°C
 Environmental:
 Sealed IP67 Rated
 Lead free, RoHS compliant



UNLESS OTHERWISE SPECIFIED ALL DIMENSIONS ARE INCHES [MM]. TOLERANCES: EXCEPT AS NOTED		
INCHES	HOLES	
.X ± .10	ØX ± .10	
.XX ± .020	ØXX ± .015	
.XXX ± .015	ØXXX ± .010	
DRAWN	WX	9/22/21
CHECKED	RC	9/22/21
APPROVED		
THIS DRAWING CONTAINS INFORMATION THAT IS PROPRIETARY AND SHOULD NOT BE USED WITHOUT PRIOR WRITTEN PERMISSION FROM ADAM TECH		

ADAM TECH 909 Rahway Avenue, Union, NJ 07083
 Phone: 908-687-5000
 Fax: 908-687-5710

TITLE	SEALED SUB-MINIATURE PUSH BUTTON SWITCH, SPDT, ON-MOM, GOLD PLATED, R/A, SMT	
SIZE	PART NO.	REV.
X	SW-PB9-ABA1RE-7	-
REF:	SCALE: NTS	SHEET 1 OF 1