

CUSTOMER PRINT

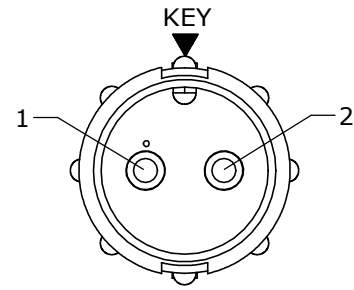
PART NUMBER: 8382-XPG-5XX

- NOTES:**  
 1. ALL PARTS TO BE BULK PACKED  
 2. CONTACTS TO BE INSERTED INTO CONNECTOR  
 3. ALL DIMENSIONS ARE REFERENCE ONLY EXCEPT WHEN NOTED WITH TOLERANCE

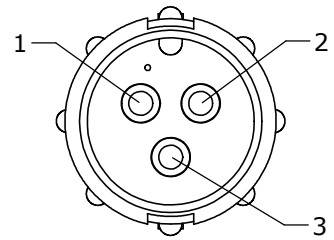
ASSY P/N	GROMMET SIZE
8382-XPG-513	.148 GROMMET I.D. FOR CABLE OD .13-.15 [3.3-3.8mm]
8382-XPG-516	.176 GROMMET I.D. FOR CABLE OD .16-.18 [4.1-4.6mm]
8382-XPG-519	.206 GROMMET I.D. FOR CABLE OD .19-.21 [4.8-5.3mm]
8382-XPG-522	.245 GROMMET I.D. FOR CABLE OD .22-.25 [5.6-6.4mm]
8382-XPG-526	.265 GROMMET I.D. FOR CABLE OD .25-.27 [6.4-6.7mm]
8382-XPG-528	.280 GROMMET I.D. FOR CABLE OD .265-.285 [6.7-7.2mm]

KIT P/N	NO. OF CONTACTS
8382-2PG-5XX	(2)-#16
8382-3PG-5XX	(3)-#16
8382-4PG-5XX	(4)-#16
8382-5PG-5XX	(5)-#16

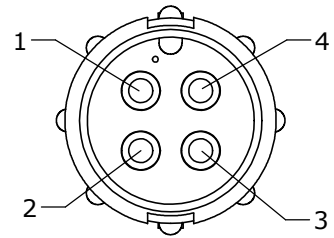
GROMMET SIZE  
 NO. OF CONTACT



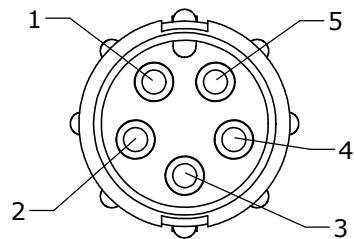
**FACE VIEW**  
8382-2PG-5XX



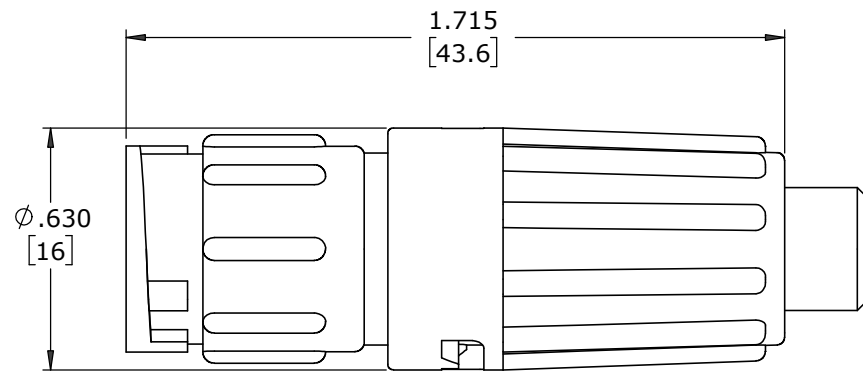
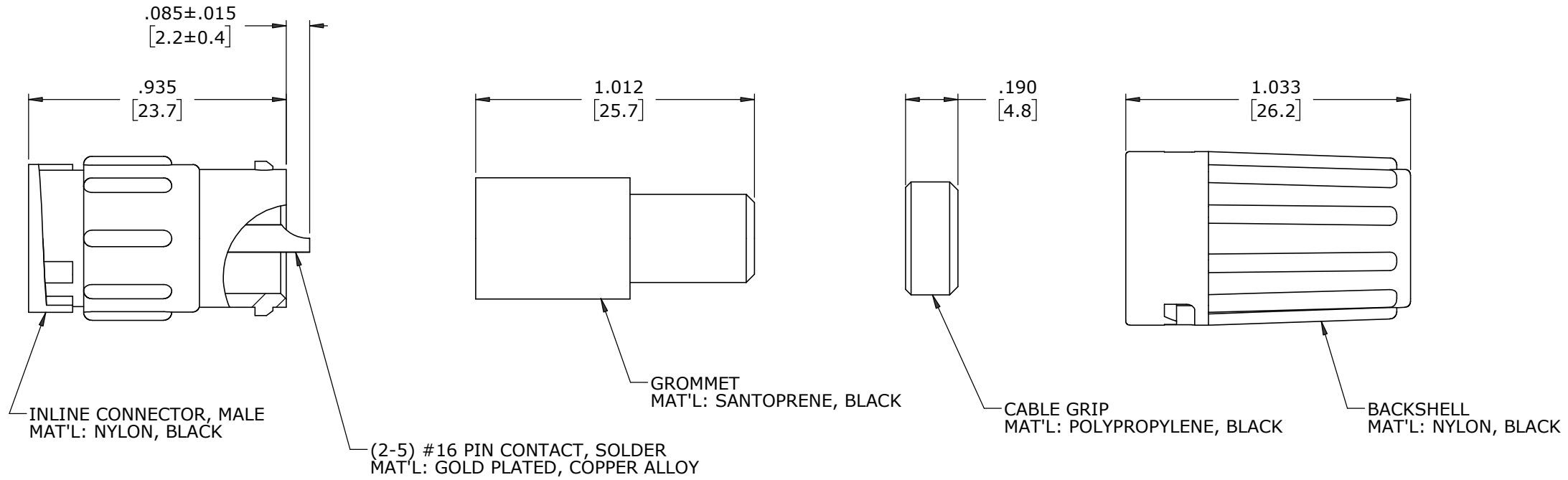
**FACE VIEW**  
8382-3PG-5XX



**FACE VIEW**  
8382-4PG-5XX



**FACE VIEW**  
8382-5PG-5XX



**SHOWN ASSEMBLED KIT**  
FOR CUSTOMER REFERENCE ONLY

DIMENSIONS IN BRACKETS [ ] ARE IN MILLIMETERS

**CUSTOMER APPROVAL**

THIS DOCUMENT CONTAINS CONFIDENTIAL INFORMATION PROPRIETARY TO CONXALL CORPORATION. ANY REPRODUCTION, DISCLOSURE, OR USE OF THIS DOCUMENT /INFORMATION IS EXPRESSLY PROHIBITED UNLESS AUTHORIZED IN WRITING BY CONXALL CORPORATION.

APPROVED BY: \_\_\_\_\_  
 DATE: \_\_\_\_\_

B	MA	02-22-21	UPDATED MANUFACTURING DRAWING PER ECR 9544
A	AN	04-09-19	DRAWING CREATED PER DOR 19-E149SL #5
REV.	INIT.	DATE	DESCRIPTION
AN		04-09-19	
ALL INFORMATION ILLUSTRATED IS THE PROPERTY OF "CONXALL CORPORATION". UNAUTHORIZED DUPLICATION OR DISTRIBUTION OF THIS DOCUMENT IS PROHIBITED.			601 E. WILDWOOD VILLA PARK, IL 60181
ALL UNITS ARE IN FEET, INCHES, FRACTION OF INCHES AND DECIMALS.			
APPROVED BY:		TITLE: CABLE TO CABLE CONN. ASSY (2-5) #16 PIN, SOLDER, LONG BACKSHELL MINI-CON-X	
SCALE: NTS		CUSTOMER: STANDARD PRODUCT	
FILE:	DIRECTORY:	PART NUMBER:	REV
8382-XPG-5XX	SLW	8382-XPG-5XX	B

**RoHS COMPLIANT**