

MATERIALS AND FINISHES

BODY: BRASS
 PLATED TRI-M3

CONTACT: PHOSPHOR BRONZE
 PLATED SILVER

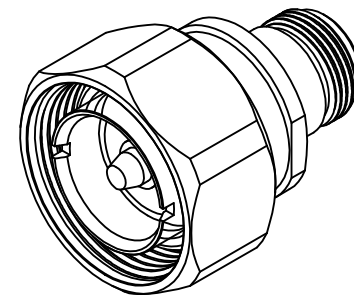
CONTACT PIN: BRASS
 PLATED SILVER

COUPLING NUT: BRASS
 PLATED NICKEL

PERFORMANCE REQUIREMENTS:

FREQUENCY RANGE: DC-3000MHZ
 TEMPERATURE RANGE: -40-+85°C
 IMPEDANCE: 50 OHM
 WITHSTANDING VOLTAGE(AC): 2500V @0.5mA
 VSWR: ≤1.05(0-1000MHZ);
 ≤1.06(1000-2200MHZ); ≤1.10(2200-3000MHZ)
 PIM3(2x20W):≤-160dBC @900MHZ AND 1800MHZ
 PIM7(2x20W):≤-160dBC @2100MHZ
 WATER-PROOF: IP68 WHEN MATED

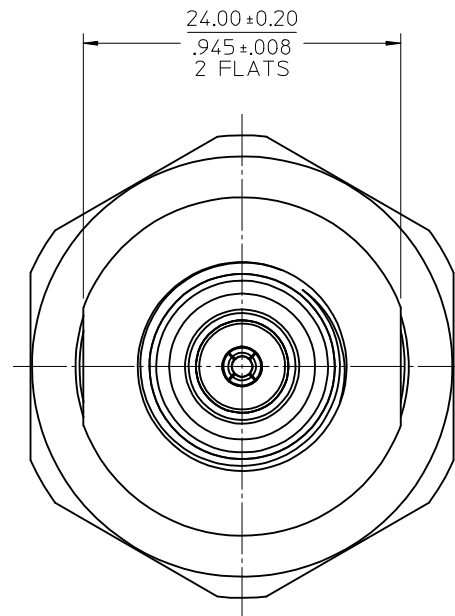
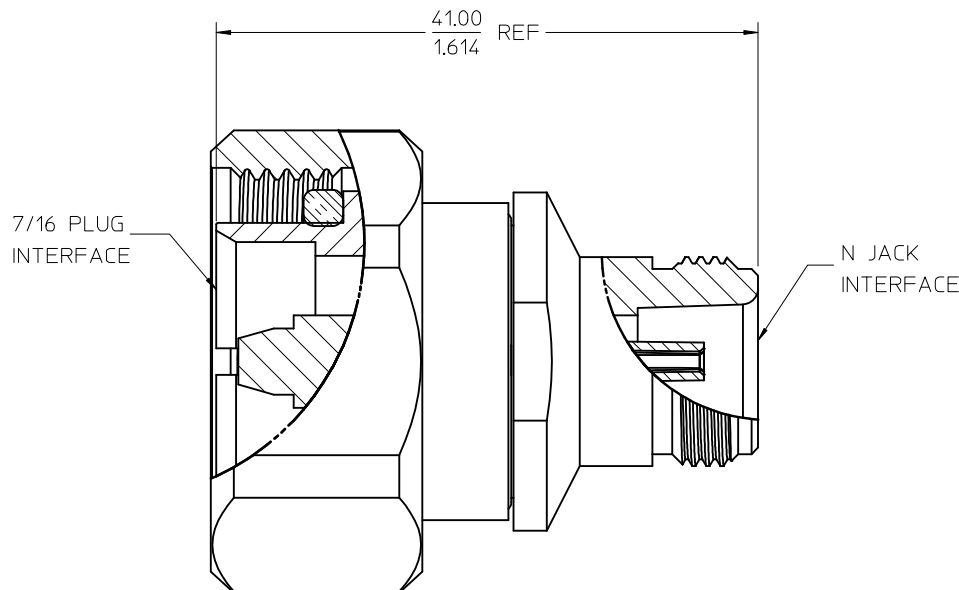
NOTE: WHEN SHIPPED
 WITH POLYETHYLENE DUST
 CAPS ON CONNECTORS



INSULATOR: TEFLON

O-RING: SILICON RUBBER

DUST CAP: PE



73386-7401	ACOME BOX
73386-7400	NEUTRAL BOX
PART NO.	PACKAGING

IEC 60169-16	INTERFACE (N PORT)
IEC 60169-4	INTERFACE (7/16 PORT)
SPECIFICATION	DESCRIPTION

CHG: ADD NEW PN. 73386-7401 EC NO: URF2014-0484 DRAWN: YHUANG11 2014/02/18 CHKD: APPR: SRZHAO 2014/03/18	QUALITY SYMBOLS ▽=0 ▽=0 ▽=0	GENERAL TOLERANCES (UNLESS SPECIFIED)		DIMENSION STYLE MM/IN	SCALE METRIC	THIRD ANGLE PROJECTION		
		4 PLACES ± --- ± --- 3 PLACES ± --- ± --- 2 PLACES ± --- ± --- 1 PLACE ± --- ± --- 0 PLACE ± --- ± ---		DRAWN BY YHUANG11	DATE 2013/10/31		TITLE ADAPTOR, 50 OHM 7/16 PLUG TO N JACK	
		ANGULAR ± 2 °		CHECKED BY MXU11	DATE 2013/10/31		APPROVED BY SRZHAO	DATE 2014/01/20
		DRAFT WHERE APPLICABLE MUST REMAIN WITHIN DIMENSIONS		MATERIAL NO. SEE TABLE	DOCUMENT NO. SD-73386-740			