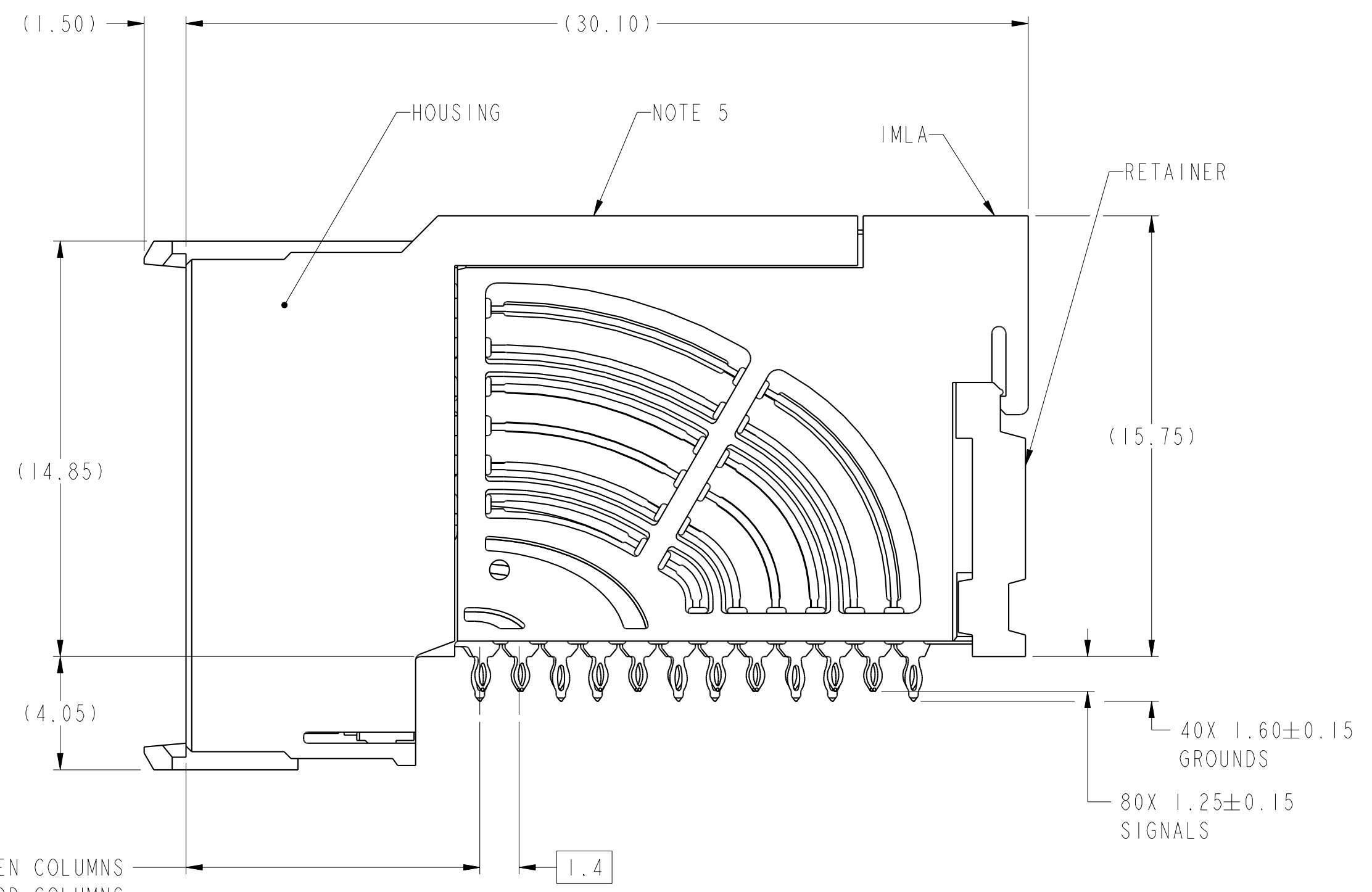
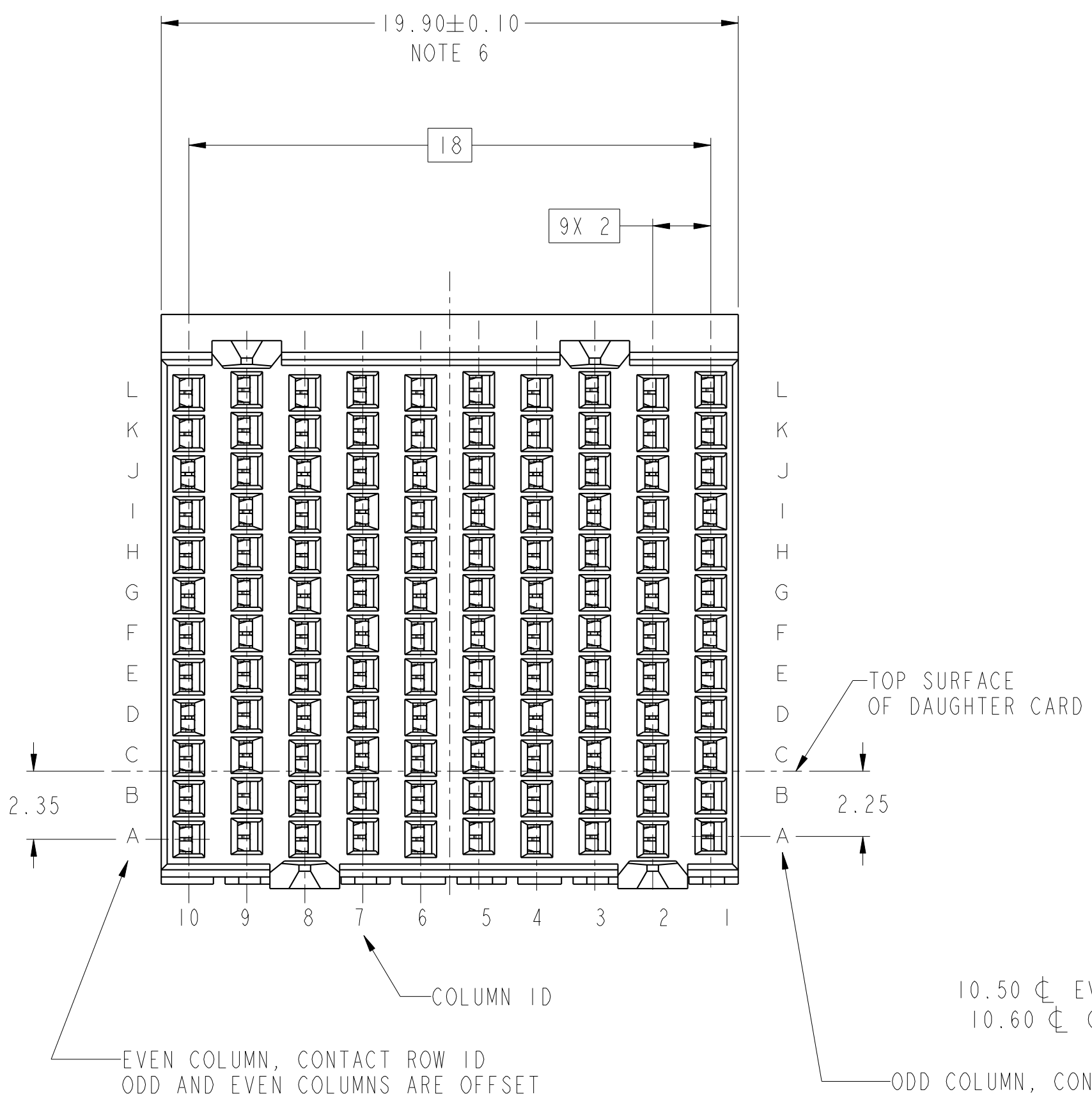


PRODUCT NUMBER
SEE SHEET 3



Amphenol
FCi

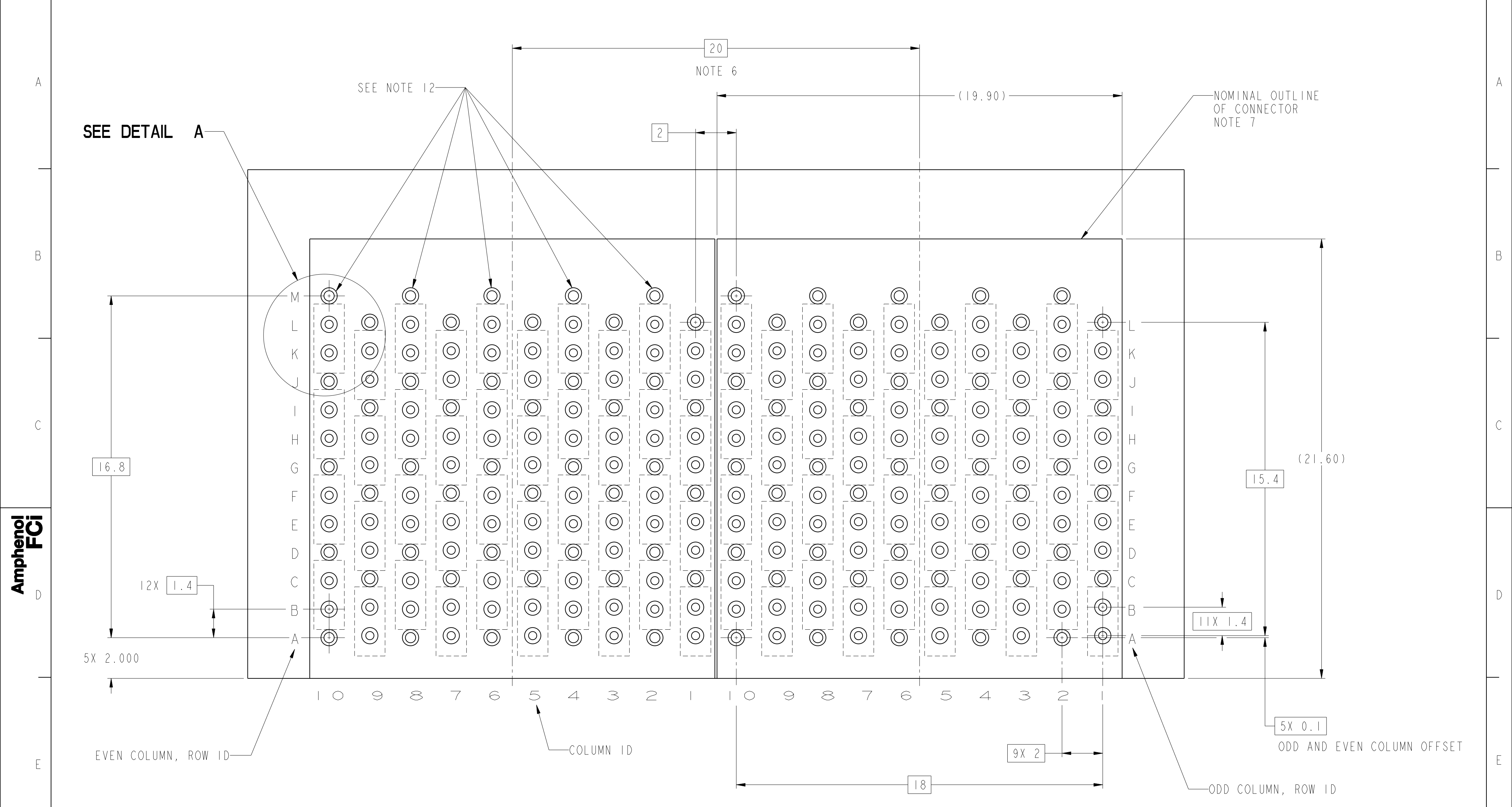
© 2016 APCI

spec ref	---	dr	Terry Luo	2019/11/13	projection	MM	size	A2	scale	1:1	
tolerance std	ASME Y14.5M	eng	Terry Luo	2020/09/04	chr	-	ecn no	ELX-DG-38252-1	rel level	Released	
TOLERANCES UNLESS OTHERWISE SPECIFIED		appr	Heaven Cen	2020/09/17	product family	AirMax VSE	rel level	Released			
surface	linear	0.X	±.3	Amphenol FCi	title		AIRMAX VSE R.A. RECEPTACLE	dwg no	10148773	rev	B
		0.XX	±.10		ASS'Y, 4 PAIR, 120 POS, 10 IMLA, 20MM, GXT4		cat. no.	-	Product - Customer Drw	sheet 1 of 3	
	angular	0°	±°								

PDS: Rev :B

STATUS:Released

Printed: Sep 18, 2020



**RECOMMENDED PCB LAYOUT
 FOR DIFFERENTIAL APPLICATIONS
 COMPONENT SIDE
 (TWO ADJACENT FOOTPRINTS SHOWN)
 NOTES 6,8,& 11**

Amphenol FCI

© 2016 APCI

F

spec ref	---	dr	Terry Luo	2019/11/13	projection	MM	size	A2	scale	1:1	
tolerance std	ASME Y14.5M	eng	Terry Luo	2020/09/04			ecn no	ELX-DG-38252-1			
TOLERANCES UNLESS OTHERWISE SPECIFIED		chr	-	appr			Heaven Cen	2020/09/17	product family	AirMax VSE	rel level
surface	✓	linear	0.X	±.3		AIRMAX VSE R.A. RECEPTACLE ASS'Y, 4 PAIR, 120 POS, 10 IMLA, 20MM, GXT	rev no	10148773			
			0.XX	±.10			cat. no.	-	Product - Customer Drw	sheet 2 of 3	
		angular	0°	±°							

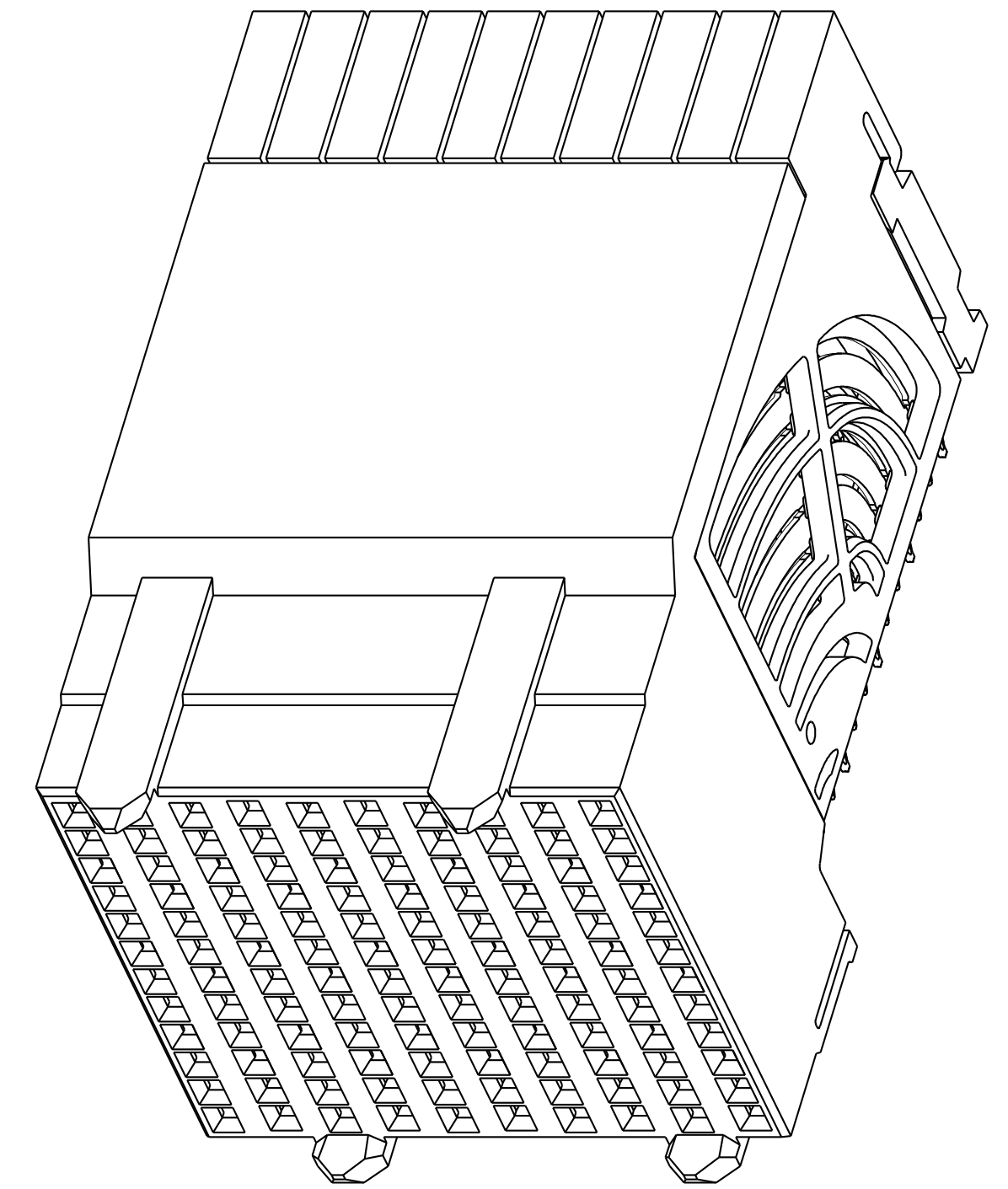
PDS: Rev :B

STATUS:Released

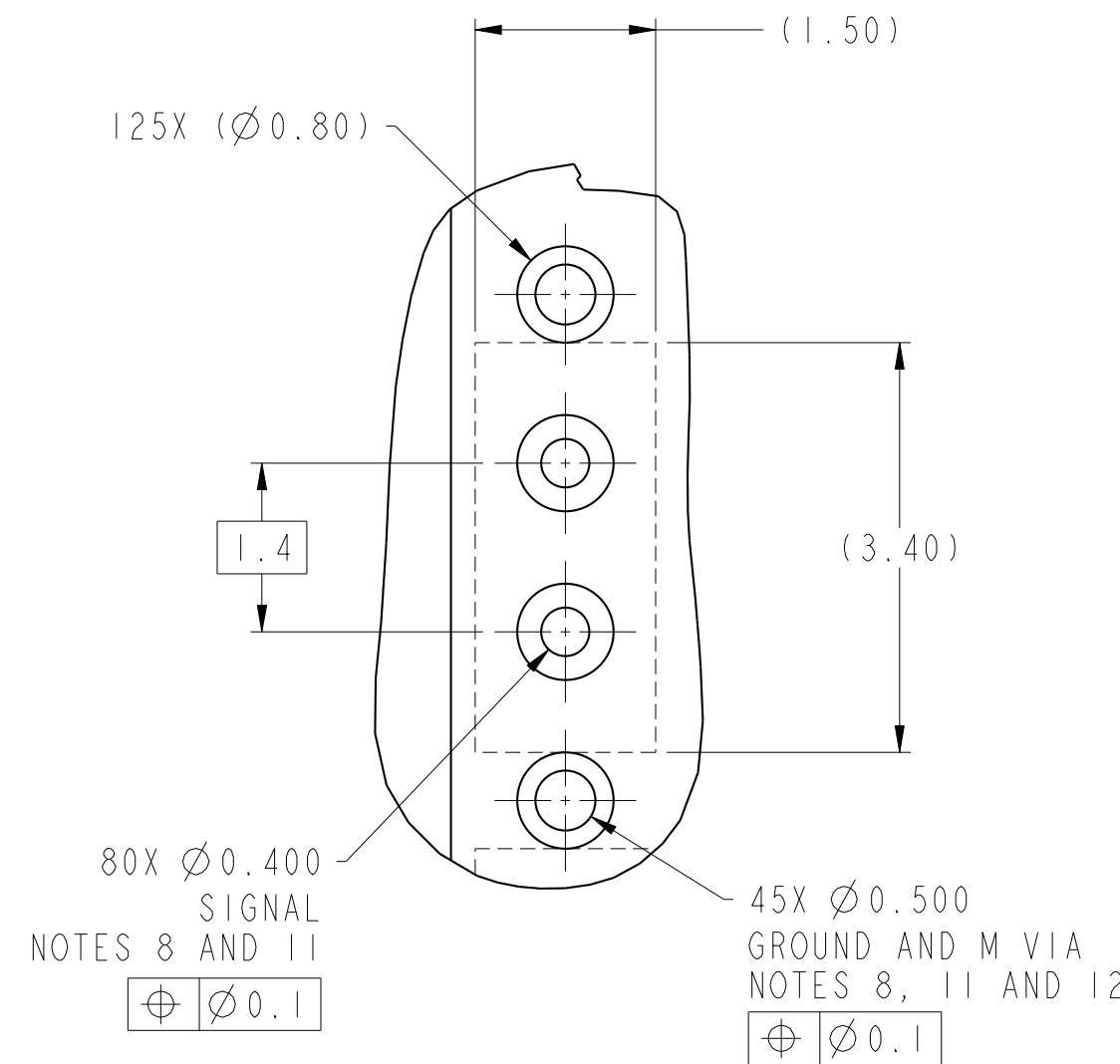
Printed: Sep 18, 2020

PRODUCT NUMBER	PRESS-FIT TAIL PLATING TYPE
10148773-101	TIN/LEAD ALLOY OVER NICKEL
10148773-101LF	TIN OVER NICKEL (LEAD FREE)

- 1 - CONNECTOR MATERIALS:
HOUSING: HIGH TEMP THERMOPLASTIC, NATURAL, UL94-V0
IMLA PLASTIC: HIGH TEMP THERMOPLASTIC, BLACK, UL94-V0
CONTACT: COPPER ALLOY
ORGANIZER: HIGH TEMP THERMOPLASTIC, WHITE, UL94-V0
- 2 - CONTACT PLATING:
SEPARABLE INTERFACE:
PERFORMANCE-BASED PLATING, QUALIFIED TO MEET THE REQUIREMENTS OF FCI PRODUCT SPECIFICATION GS-12-0956 INCLUDING TELCORDIA GR-1217-CORE (NOVEMBER 1995) CENTRAL OFFICE TEST SEQUENCE
- PRESS-FIT TAILS: SEE TABLE
- 3 - PRODUCT SPECIFICATION: GS-12-0956
- 4 - APPLICATION SPECIFICATION: GS-20-0305.
- 5 - PRODUCT MARKING, (PART NUMBER & LOT CODE), ON THIS SURFACE.
- 6 - THE MINIMUM CENTERLINE SPACING BETWEEN ADJACENT MODULES IS 20.0 MM.
- 7 - CONNECTOR OUTLINE MAY BE SCREEN PRINTED ONTO CUSTOMER PCB TO BE USED AS A GUIDE FOR MANUAL CONNECTOR PLACEMENT.
- 8 - REFER TO CUSTOMER DRAWING 10104444 FOR INFORMATION ON PCB HOLE DIAMETERS AND PLATING OPTIONS
- 9 - LEAD FREE PRODUCT MEETS THE EUROPEAN UNION DIRECTIVES & OTHER COUNTRY REGULATIONS AS DESCRIBED IN GS-22-008
- 10 - PACKAGING MEETS GS-14-920 LEAD FREE LABELING SPECIFICATION.
- 11 - GROUND CONTACTS (C,F,I AND L IN ODD COLUMNS AND A,D,G AND J, EVEN COLUMNS) REQUIRE (Ø0.500) FINISHED HOLES. SIGNAL LOCATIONS REQUIRE (Ø0.400) FINISHED HOLES.
- 12 - THESE OUTER VIAS (M) ARE OPTIONAL. WHILE NO CONNECTOR EONS ARE PRESSED INTO THESE HOLES, WE RECOMMEND (Ø 0.500) FINISHED HOLES AT THESE LOCATIONS TO PROVIDE GROUND SYMMETRY THROUGH THE PCB



10148773-101 OR -101LF



DETAIL A
SCALE 16:1

spec ref	---	dr	Terry Luo	2019/11/13	projection	MM	size	A2	scale	4:1																
tolerance std	ASME Y14.5M	eng	Terry Luo	2020/09/04			ecn no	ELX-DG-38252-1																		
TOLERANCES UNLESS OTHERWISE SPECIFIED		chr	-	appr			Heaven Cen	2020/09/17	product family	rel level	Released															
surface	<table border="1"> <tr> <td>linear</td> <td>0.X</td> <td>±.3</td> </tr> <tr> <td></td> <td>0.XX</td> <td>±.10</td> </tr> <tr> <td></td> <td>0.XXX</td> <td>±.050</td> </tr> <tr> <td>angular</td> <td>0°</td> <td>±°</td> </tr> </table>	linear	0.X	±.3		0.XX	±.10		0.XXX	±.050	angular	0°	±°			AIRMAX VSE R.A. RECEPTACLE ASS'Y, 4 PAIR, 120 POS, 10 IMLA, 20MM, GXT		<table border="1"> <tr> <td>title</td> <td>10148773</td> </tr> <tr> <td>cat. no.</td> <td>Product - Customer Drw</td> </tr> </table>	title	10148773	cat. no.	Product - Customer Drw	<table border="1"> <tr> <td>rev</td> <td>B</td> </tr> </table>	rev	B	sheet 3 of 3
linear	0.X	±.3																								
	0.XX	±.10																								
	0.XXX	±.050																								
angular	0°	±°																								
title	10148773																									
cat. no.	Product - Customer Drw																									
rev	B																									