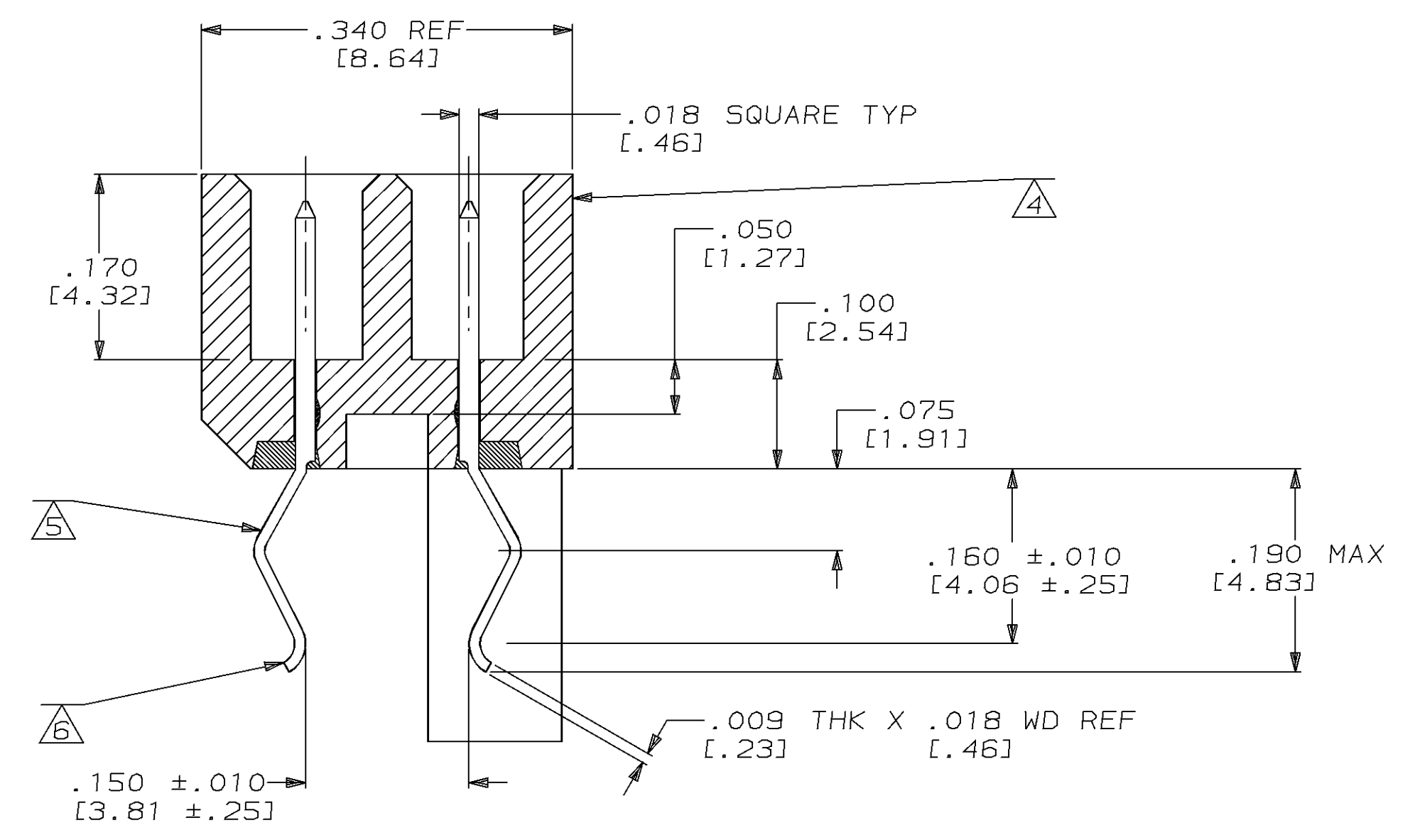
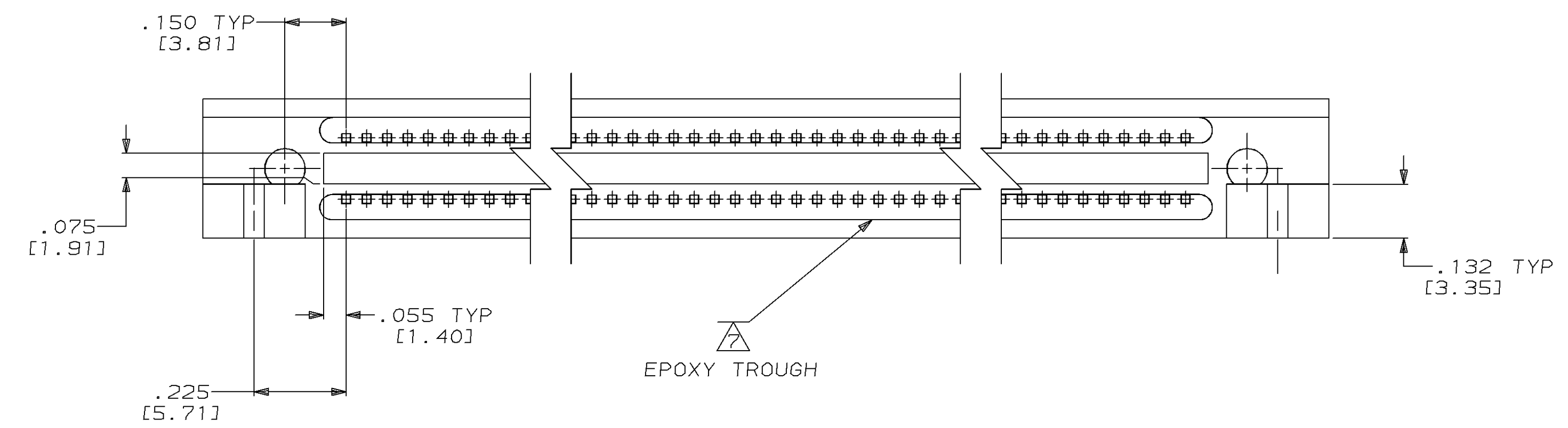
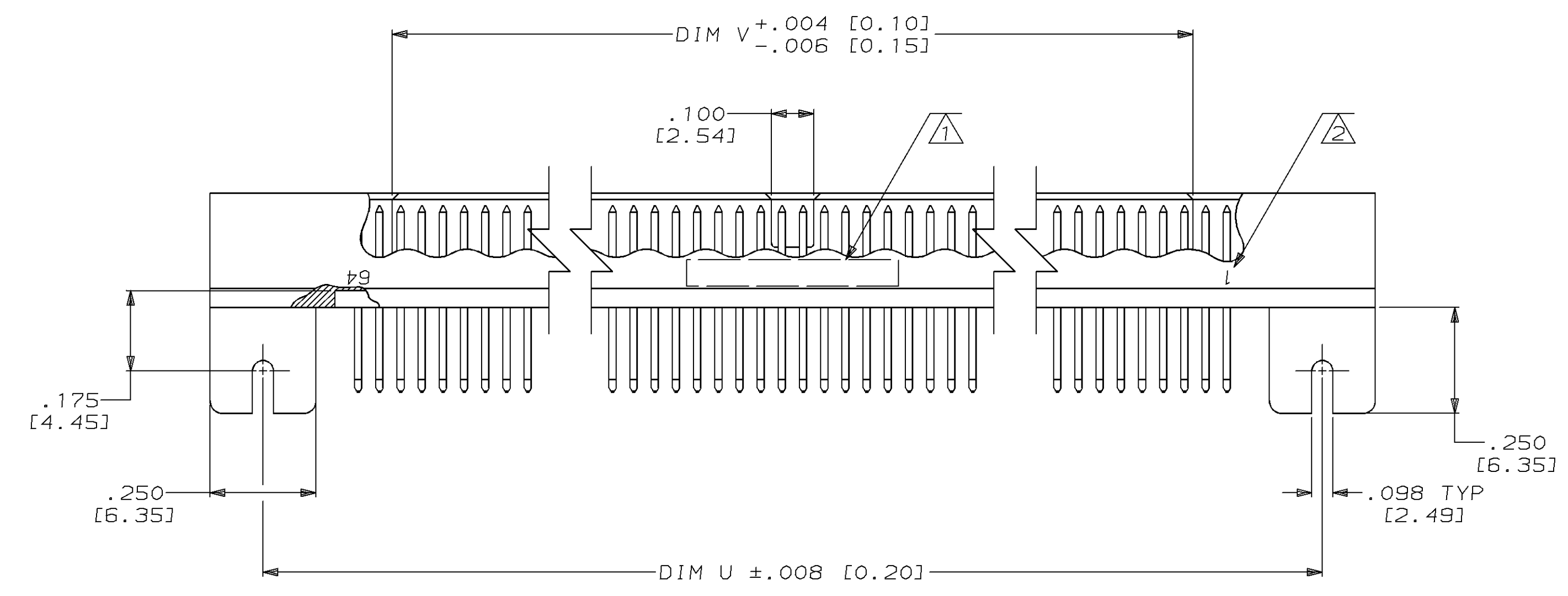
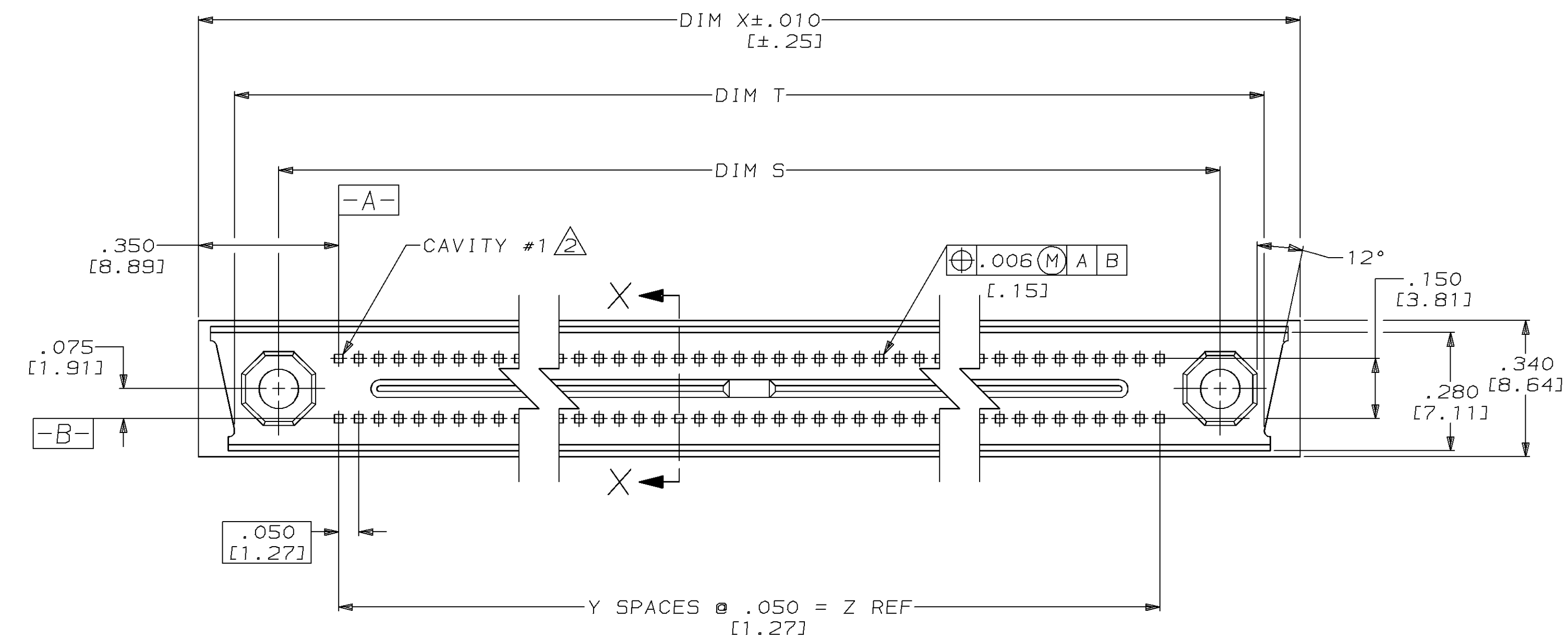
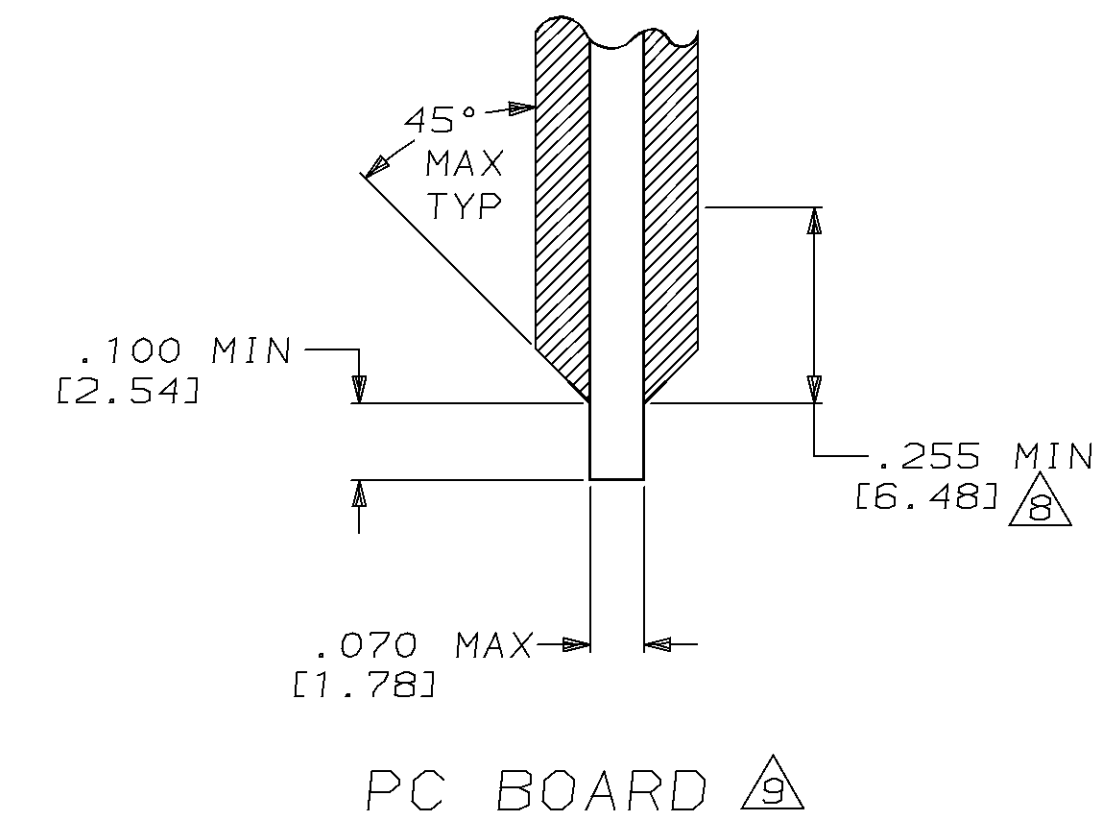


PROJ	LOC	DIST	P	F	ZONE	LTR	DESCRIPTION	DATE	APPD
5327	DF	F0							
			✓		G		REV & REDWN PER DF-5332	A. G.	1-92
			✓		H		REV PER 0600-1388-93	TA	5-4-94



SECTION X-X
SCALE 8:1



- △ AMP, PART NUMBER & DATE CODE MARKED THIS SIDE ONLY.
- △ NUMBERS INDICATING END POSITIONS MARKED THIS SIDE 1 AND 64, OPPOSITE SIDE 64 AND 1.
- 3. MEET ALL APPLICABLE REQUIREMENTS OF MIL-C-55302.
- △ HOUSING MATERIAL: LIQUID CRYSTAL POLYMER PER MIL-M-24519, GLCP-30F; COLOR: GRAY.
- △ CONTACT MATERIAL: BRASS.
- △ CONTACT FINISH: .000050 GOLD IN CONTACT AREA, NICKEL UNDERPLATE ALL OVER, TAILS DIPPED BY AMP FOR SOLDERING.
- △ EPOXY ADDED TO BOTTOM WHERE CONTACT TAILS EXIT FROM THE HOUSING. EPOXY SHALL BE SUB-SURFACE BETWEEN CONTACT ROWS WHERE PCB INTERFACES.
- △ THE POINT WHERE THE CONNECTOR EARS INTERFACES THE P.C. BD. THE BOARD SHALL BE NO THICKER THAN THE CORE FITTING INTO THE CONNECTOR SLOT.
- △ EXTREME CARE AND CAUTION MUST BE TAKEN WHEN INSERTING P.C. BD. ON CONTACT TAILS.

7303050CN794706-2	3.150 [80.01]	63	3.850 [97.79]	2.990 [75.95]	3.600 [91.44]	3.670 [93.22]	3.450 [87.63]	128	534664-1
CUSTOMER PART NUMBER	DIM Z	DIM Y	DIM X	DIM V	DIM U	DIM T	DIM S	NUMBER OF CONTACTS	PART NUMBER
DO NOT SCALE PRINT. UNLESS SPECIFIED DIMENSIONS IN INCHES [mm] TOLERANCES ON:					DR 2-20-91 T. SHUEY		AMP AMP Incorporated Harrisburg, PA 17105-3608 NAME ASSEMBLY, PIN HEADER, MINI-BOX, SHROUDED, CARD EXTENDER		
2 PLC DEC ±					CHK 12-31-91 D. GUTTER				
3 PLC DEC ± .005 (0.13)					APPD 12-31-91 D. GUTTER				
ANGLES ± 0° 30'					APPD 12-31-91 D. GUTTER		PRODUCT SPEC -		
MATERIAL					△△		APPLICATION SPEC -		
FINISH					△		SIZE D 00779		
							DRAWING NO 534664		
							SCALE 4:1		
							SHEET 1 OF 1		