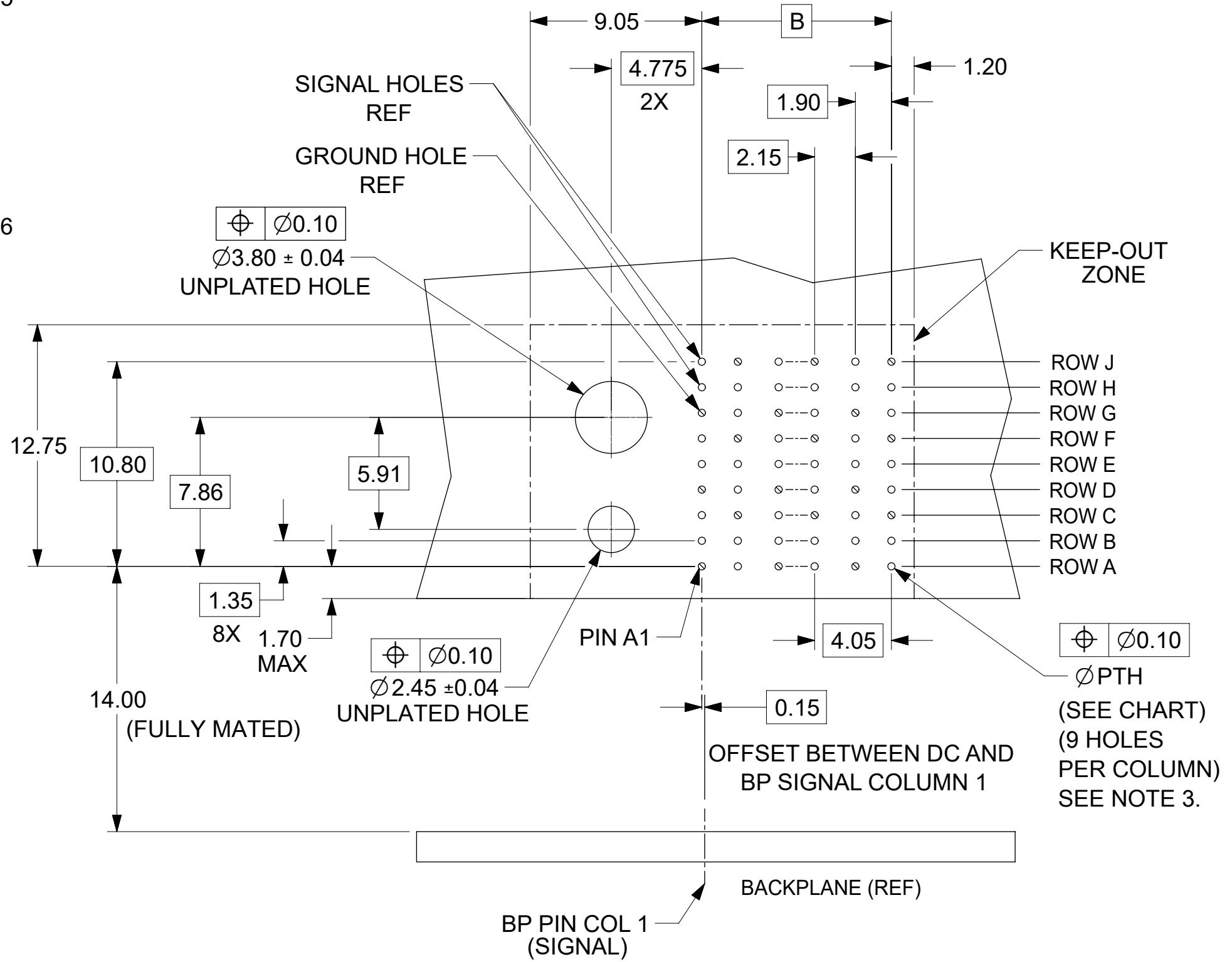
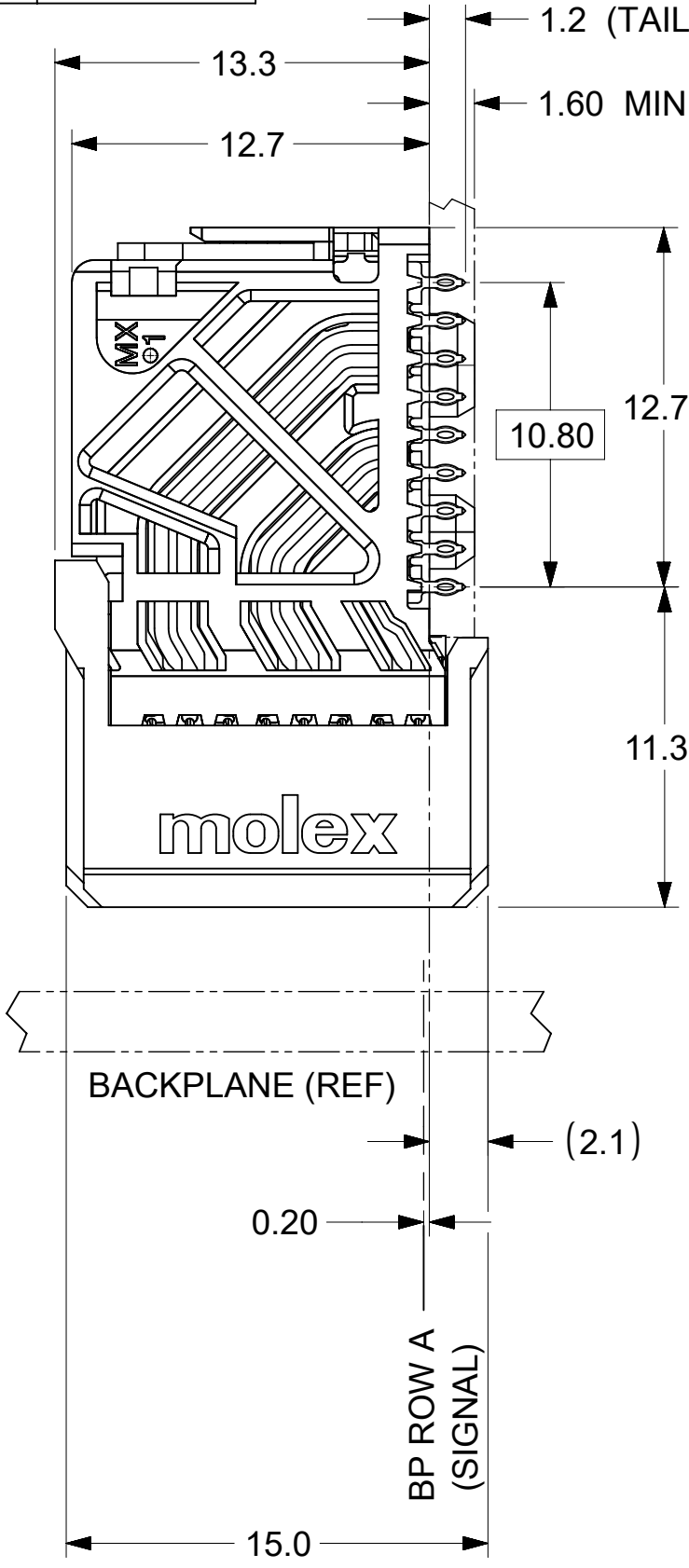
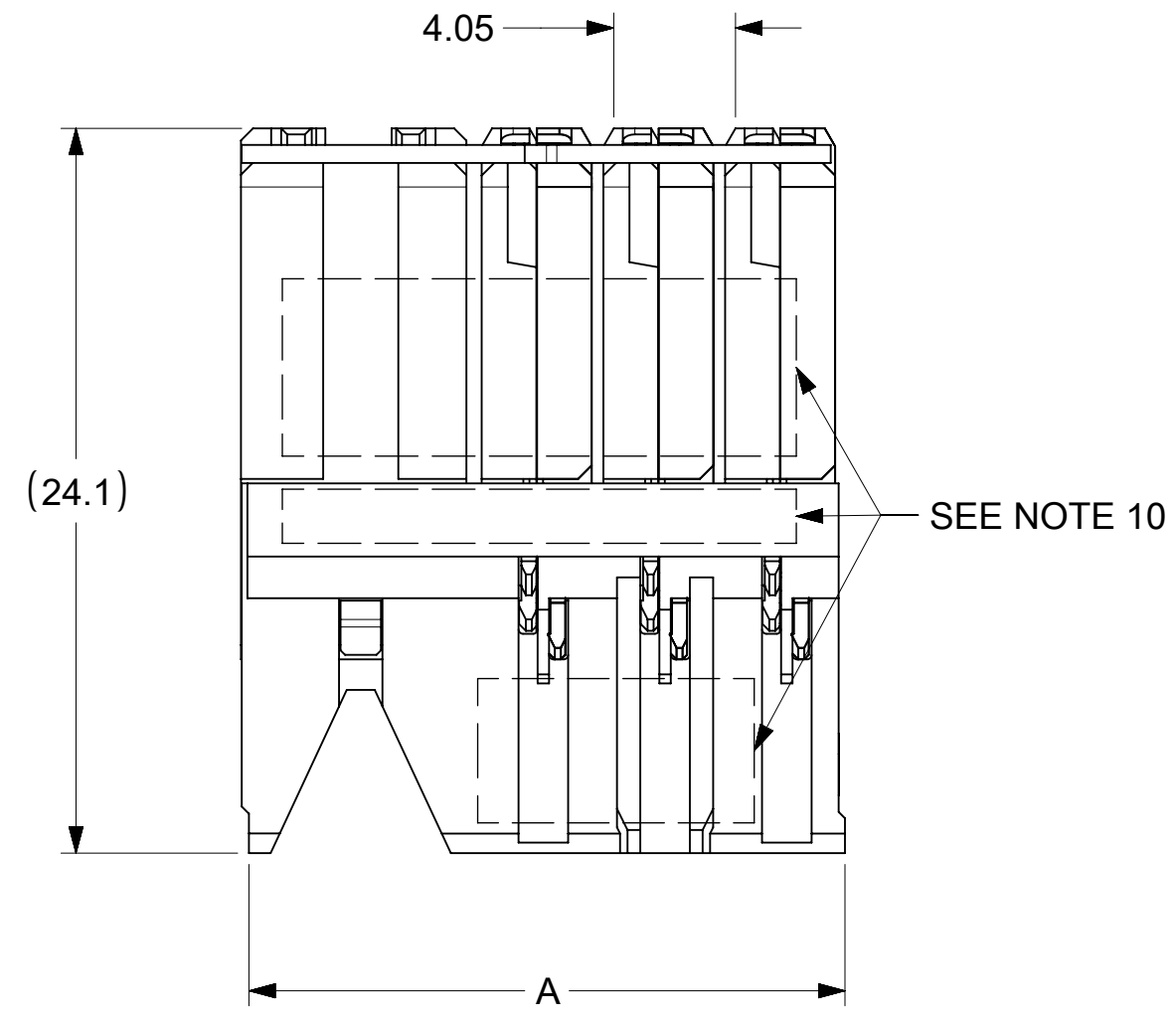
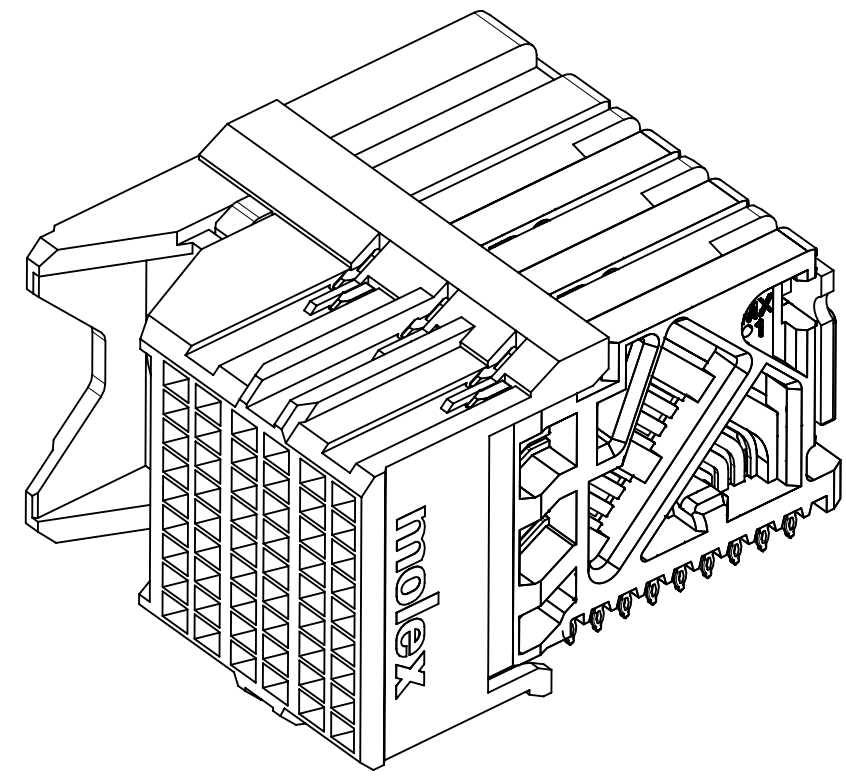


MATERIAL NUMBER	# OF COLUMNS	# OF DIFF PAIR	DIM "A" MAX	DIM "B"	PTH ϕ
76860-3006	6	18	20.25	10.00	0.46 \pm 0.05
76860-3036	6	18	20.25	10.00	0.39 \pm 0.05
76860-3008	8	24	24.30	14.05	0.46 \pm 0.05
76860-3038	8	24	24.30	14.05	0.39 \pm 0.05

76860 - *0**

MODULE & TAIL PLATING TYPE
3 = LEFT GUIDED, LEAD-FREE

OF COLUMNS
06 = 6 COL 0.46 PTH
36 = 6 COL 0.39 PTH
08 = 8 COL 0.46 PTH
38 = 8 COL 0.39 PTH



NOTES:

- MATERIALS: HOUSING - LIQUID CRYSTAL POLYMER (LCP), GLASS-FILLED, UL94V-0
TERMINALS - HIGH PERFORMANCE COPPER ALLOY
- FINISH: 30 μ IN MIN GOLD IN CONTACT AREA. SELECTIVE TIN ON PCB TAILS. NICKEL OVERALL.
- REFER TO MOLEX PRODUCT SPEC PS-76060-999 FOR PERFORMANCE SPECIFICATIONS AND ADDITIONAL PCB INFORMATION.
- EACH SIGNAL WAFER CONTAINS 2 COLUMNS OF TERMINALS.
- PRODUCT IS PACKAGED PER PK-70873-591.
- THIS PART CONFORMS TO CLASS B REQUIREMENTS OF COSMETIC SPEC PS-45499-002.
- REFER TO MOLEX SALES DRAWING SD-76855-002 FOR THE MATING HEADERS.
- WHEN USING MOLEX SUPPLIED #2-32 SCREW 73726-4000 (4.31mm \pm 0.38 THREADABLE SCREW LENGTH), THE MAXIMUM BOARD THICKNESS IS 2.4mm.
- REFER TO MOLEX ROUTING GUIDE AS-76850-990 FOR ADDITIONAL PCB LAYOUT AND ROUTING RECOMMENDATIONS.
- MARKING: LOCATED APPROXIMATELY AS SHOWN. PART NUMBER AND DATE CODE.

DAUGHTERCARD HOLE PATTERN
(CONNECTOR SIDE)

THIS DRAWING CONTAINS INFORMATION THAT IS PROPRIETARY TO MOLEX ELECTRONIC TECHNOLOGIES, LLC AND SHOULD NOT BE USED WITHOUT WRITTEN PERMISSION											
DIMENSION UNITS		SCALE		CURRENT REV DESC: REMASTERED TO NX							
mm		NTS									
GENERAL TOLERANCES (UNLESS SPECIFIED)				 IMPACT DAUGHTERCARD 3 PAIR ORTHOGONAL GUIDE LEFT SALES DWG PRODUCT CUSTOMER DRAWING							
ANGULAR TOL \pm 0.5°											
4 PLACES		±									
3 PLACES		±									
2 PLACES		± 0.15									
1 PLACE		± 0.25		EC NO: 705090				2021/12/03			
0 PLACES		±		DRWN: YOGEEB				2022/01/31			
				CHK'D: DYARAS				2022/05/13			
				APPR: LZENG							
				INITIAL REVISION:							
				DRWN: JLAURX				2010/01/11			
				APPR: JBINGHAM				2010/01/14			
DRAFT WHERE APPLICABLE MUST REMAIN WITHIN DIMENSIONS				THIRD ANGLE PROJECTION		DRAWING		SERIES		DOCUMENT NUMBER	
				C-SIZE		76860		SD-76860-002		DOC TYPE DOC PART REVISION	
				MATERIAL NUMBER				CUSTOMER		SHEET NUMBER	
				SEE TABLE				GENERAL MARKET		1 OF 1	