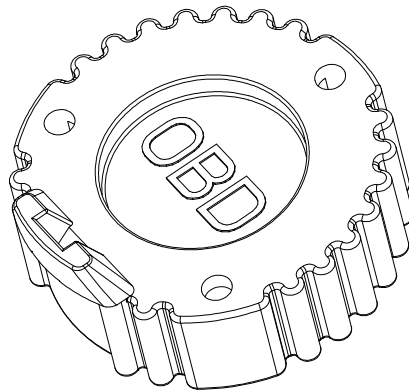
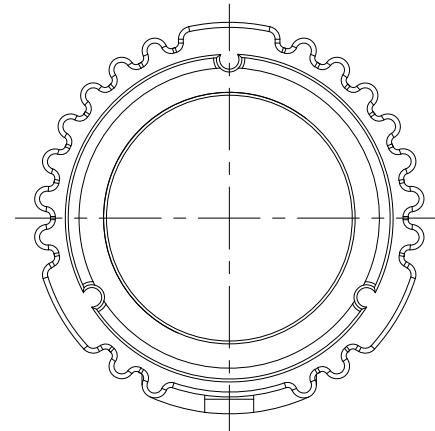
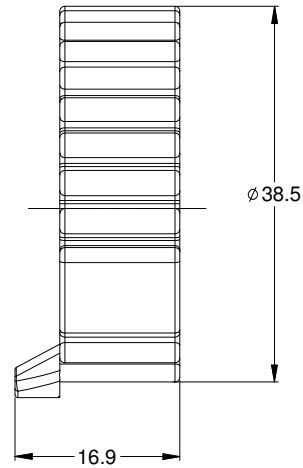
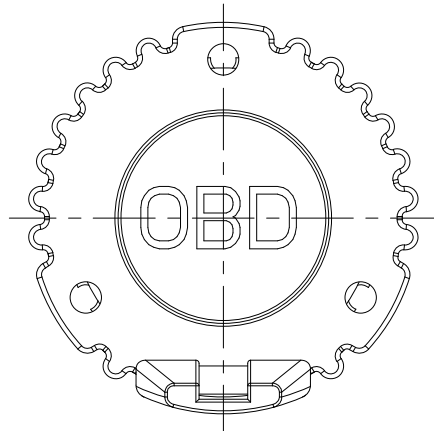


REVISIONS					
REV	ECO	DESCRIPTION	DATE	BY	APPR
A3	-	RELEASE CUSTOMER DRAWING	22FEB14	JARRY	
A4	-	ADDED COLOR CHART & GREEN COLOR DWG NO. -OBD** WAS -OBDBK	23SEP14	JAH	



NOTES: UNLESS OTHERWISE SPECIFIED

- MATERIAL: THERMOPLASTIC; COLOR: OBD**
A. -OBDBK = BLACK
B. -OBDGN = GREEN
- COMPATIBLE WITH ALL 9 POSITION AHD SERIES RECEPTACLES.
- RoHS COMPLIANT.
- ALL DIMENSIONS ARE FOR REFERENCE USE ONLY.

AHDC16-9-OBD**		DESCRIPTION		ITEM
QUANTITY	PART NUMBER	MATERIALS LIST		
UNLESS OTHERWISE SPECIFIED 1) All dimensions are in metric(mm). 2) Tolerances are as follows: 1 PL DEC ±0.30 Fractions ±1/64 2 PL DEC ±0.15 Angles ±1° 3 PL DEC ±0.08		SIGNATURES	DATE	<h1>Amphenol</h1> <p>Sine Systems - www.amphenol-sine.com 44724 Morley Drive Clinton Township, MI 48036</p>
DRAWN: JARRY		22FEB14	CHECKED:	
ENGINEER:			APPROVAL:	
CUSTOMER:				
MATERIAL SPECIFICATIONS:		THIS DRAWING IS SUPPLIED FOR INFORMATION ONLY. DESIGN FEATURES, SPECIFICATIONS AND PERFORMANCE DATA SHOWN HEREON ARE THE PROPERTY OF THE AMPHENOL CORPORATION. NO RIGHTS OF REPRODUCTION ARE IMPLIED. ALL DIMENSIONS ARE SUBJECT TO NORMAL MANUFACTURING VARIATIONS.		
PROCESS SPECIFICATIONS:		SIZE	TYPE	DWG NO.
NEXT ASSY:		B	C-	AHDC-16-9-OBD**
		SCALE:	NONE	REVISION: A4
		SHEET 1 OF 1		

TITLE: RECEPTACLE CAP,9 POSITION,OBD,AHD
DWG NO.: AHDC-16-9-OBD**
REV: A4
SH: 1
OF: 1