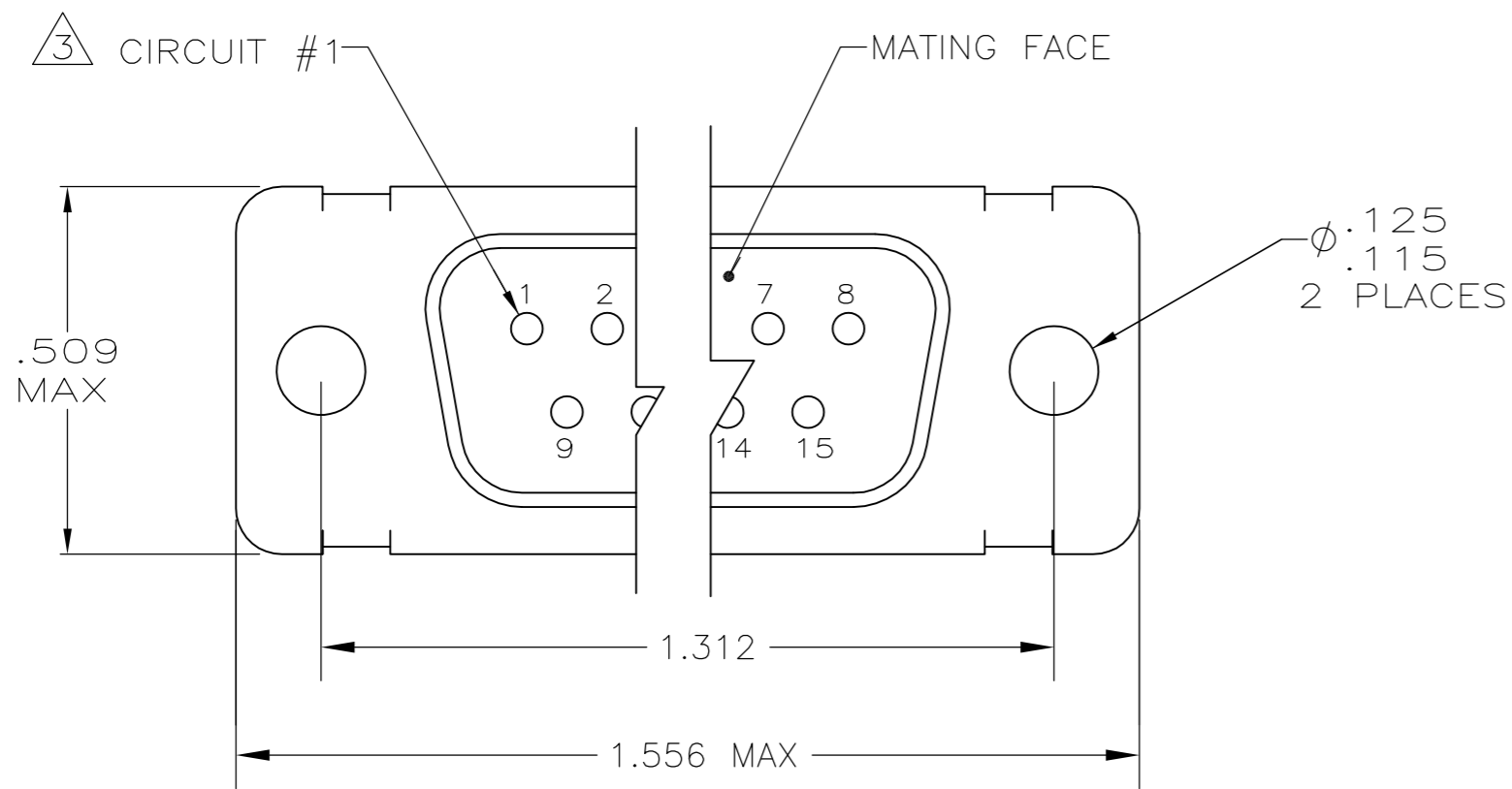
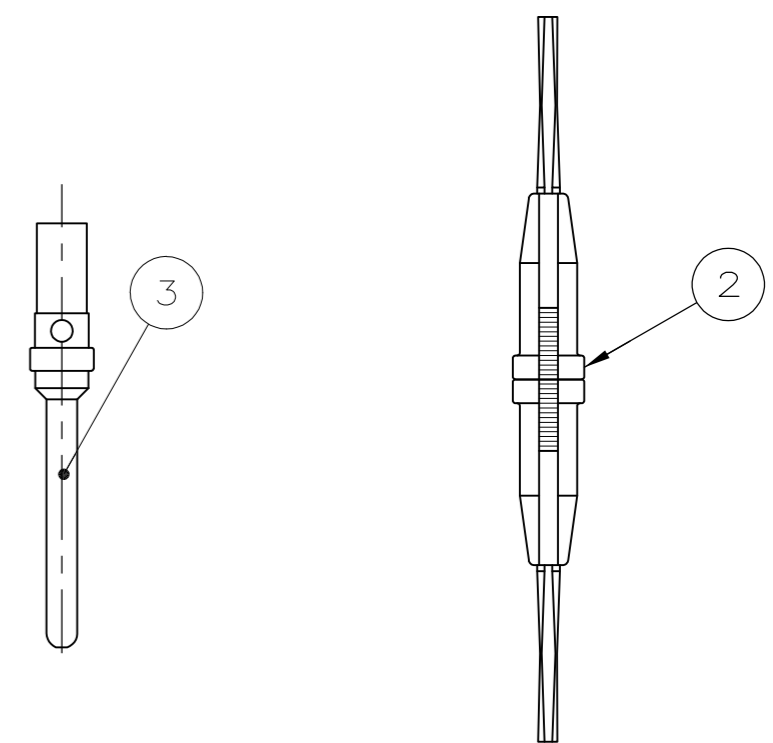
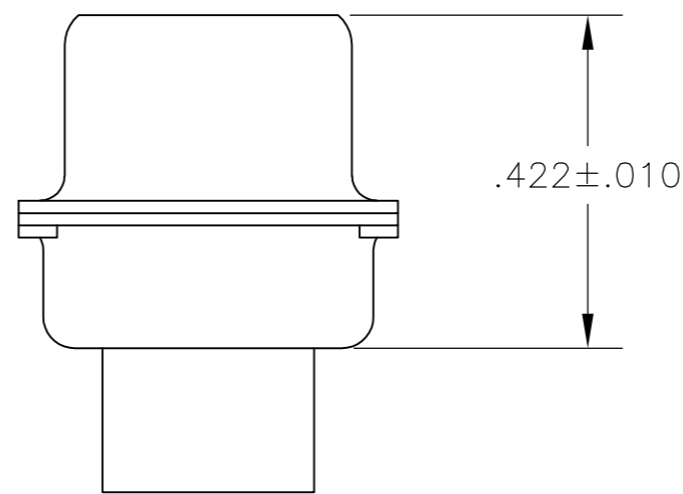
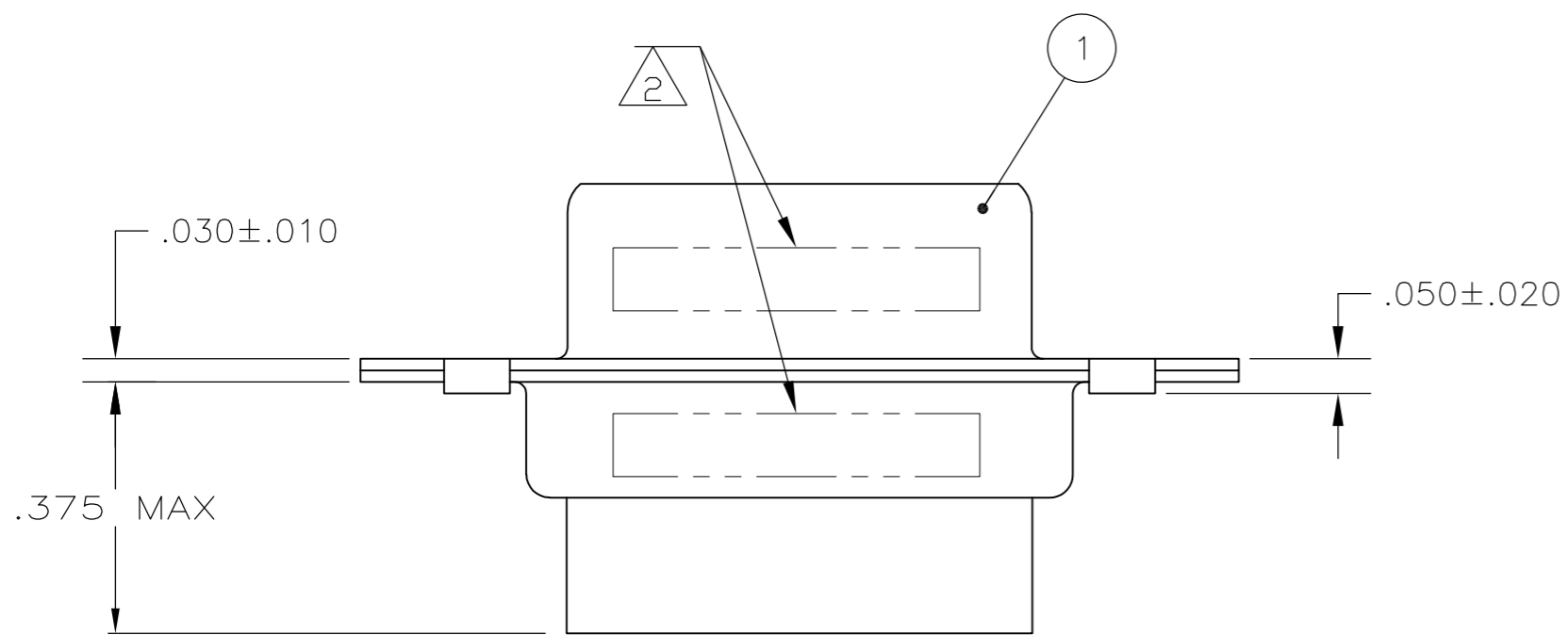


THIS DRAWING IS UNPUBLISHED. RELEASED FOR PUBLICATION
 © COPYRIGHT BY TYCO ELECTRONICS CORPORATION. ALL INTERNATIONAL RIGHTS RESERVED.

LOC	DIST	REVISIONS			
P	LTR	DESCRIPTION	DATE	DWN	APVD
-	-	REV PER ECO 09-016309	9-1-09	CT	RL



- ① FOR CONNECTOR ASSEMBLIES, TE CONTACT PART NOS. 205089-1 MUST BE ORDERED SEPARATELY. CONNECTORS WITH CONTACTS ARE SUPPLIED WITH CONTACT 205089-1
- ② MARKING SHALL BE LOCATED ON PART AS FOLLOWS:
 - A. "M24308" ON FRONT SHELL, FAR SIDE.
 - B. SLASH SHEET AND DASH NUMBER ON REAR SHELL, FAR SIDE.
 - C. "MFG'S NAME, BRAND OR LOGO" AND DATE CODE ON FRONT SHELL, NEAR SIDE.
 - D. MFG'S PART NUMBER ON REAR SHELL, NEAR SIDE.



SUPERSEDED BY 206795-2 & 205089-1 & 91067-2	205558-5	M24308/8-7F	205089-1	91067-2	205164-2	205558-5
	OBSOLETE	205558-4	M24308/8-2F	205089-1	-	205558-4
		205558-3	M24308/4-7F	205089-1	91067-2	205558-3
		205558-2	M24308/4-2F	205089-1	-	205558-2
SUPERSEDED BY 205164-1 AND 91067-2	205558-1	-	-	91067-2	205164-1	205558-1

TE P/N MARKED ON PACKAGE	MILITARY P/N MARKED ON PACKAGE	③ PIN CONTACT QTY. = 15	①	② INSERTION/EXTRACTION TOOL QTY. = 1	① PLUG ASSY QTY. = 1	PART NUMBER
--------------------------	--------------------------------	-------------------------	---	--------------------------------------	----------------------	-------------

THIS DRAWING IS A CONTROLLED DOCUMENT.

DWN P. YEAGER 11MAR09	Tyco Electronics Corporation Harrisburg, PA 17105-3608
CHK R. LEASE 12MAR09	
APVD R. LEASE 12MAR09	
PRODUCT SPEC	
APPLICATION SPEC	NAME
WEIGHT	SIZE CAGE CODE DRAWING NO RESTRICTED TO
CUSTOMER DRAWING	A2 00779 C=205558
SCALE 4:1	SHEET 1 of 1
REV H	