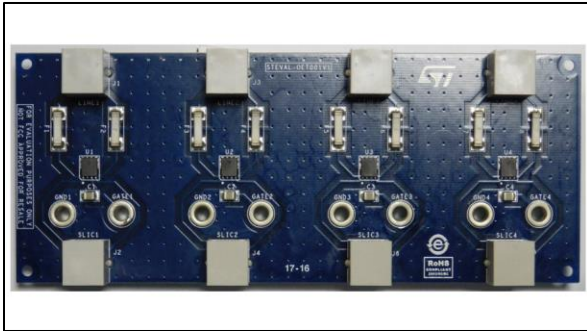


LCP154DJF board to validate lightning protection for SLIC transceivers

Data brief



Features

- 4 line protection for SLIC transceivers
- Compliant with ITU-T K20/21/45 and GR1089-Core
- Programmable transient suppressor
- RoHS compliant

Description

The STEVAL-OET001V1 board is designed to validate lightning protection for SLIC transceivers. The maximum peak pulse current for different waveform is given in the LCP154DJF datasheet.

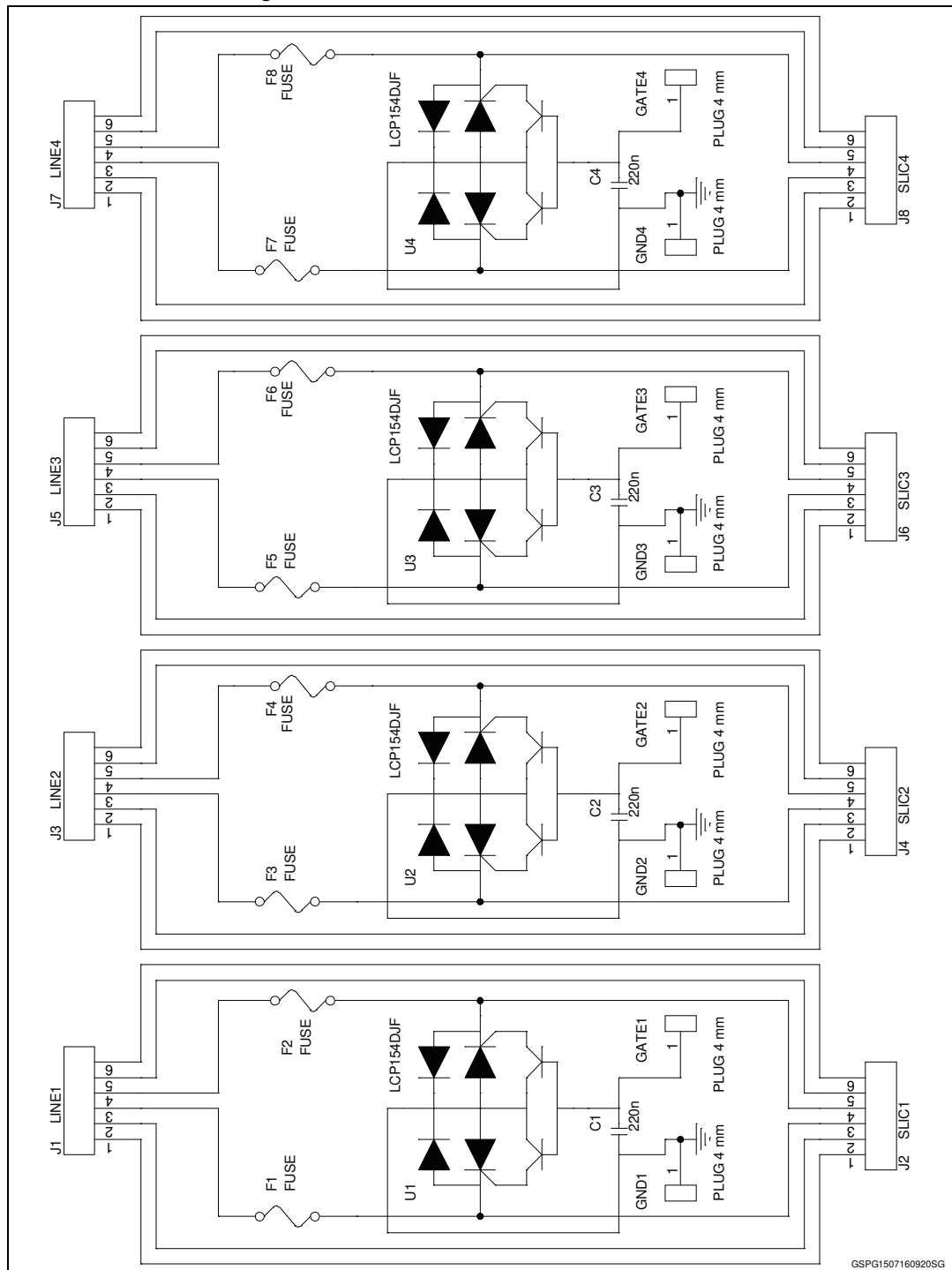
The STEVAL-OET001V1 is able to protect 4 lines; several boards can be used if the number of lines is higher.

The STEVAL-OET001V1 board specifications comply with ITU-T K20/21/45 and GR1089-Core associated with Cooper Bussmann Telecom Circuit Protector fuse TCP 1.25 A.

1 Schematic diagrams

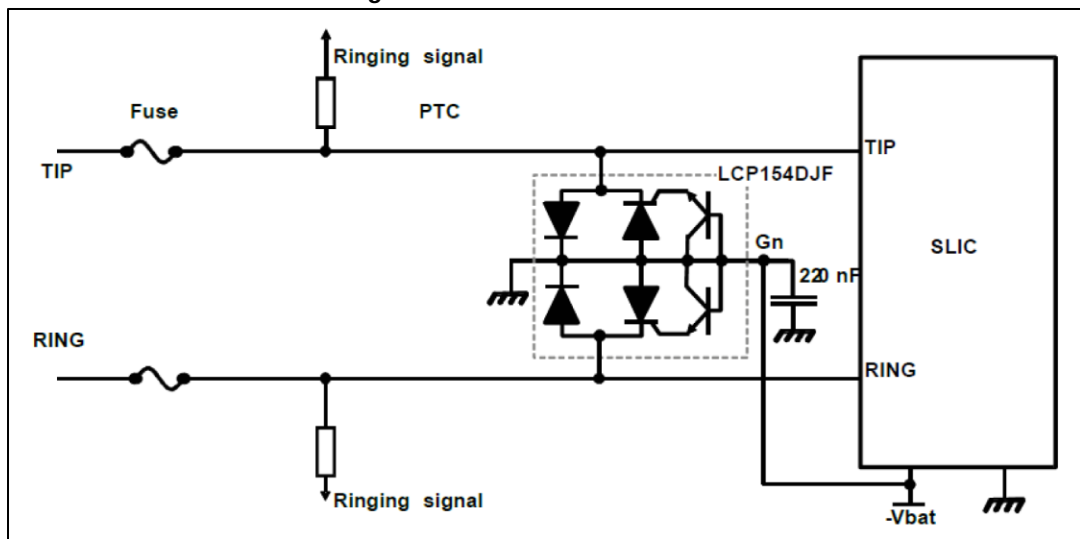
The following figure shows the board schematic. Each line has 1 x LCP154DJF, 1 x 220 nF capacitor connected between GND and GATE, 1 female RJ11 to be connected to the line (written on demo board: LINE1, LINE2, LINE3 and LINE4) and 1 female RJ11 to be connected to the SLIC (written on board SLIC1, SLIC 2, SLIC3 and SLIC4).

Figure 1: STEVAL-OET001V1 circuit schematic



The figure below shows the connection of LCP154DJF associated with a SLIC.

Figure 2: LCP154DJF connections



Application note AN4876 available on www.st.com provides further LCP154DJF implementation and performance details.

2 Revision history

Table 1: Document revision history

Date	Version	Changes
05-Aug-2016	1	Initial release.

IMPORTANT NOTICE - PLEASE READ CAREFULLY

STMicroelectronics NV and its subsidiaries ("ST") reserve the right to make changes, corrections, enhancements, modifications, and improvements to ST products and/or to this document at any time without notice. Purchasers should obtain the latest relevant information on ST products before placing orders. ST products are sold pursuant to ST's terms and conditions of sale in place at the time of order acknowledgement.

Purchasers are solely responsible for the choice, selection, and use of ST products and ST assumes no liability for application assistance or the design of Purchasers' products.

No license, express or implied, to any intellectual property right is granted by ST herein.

Resale of ST products with provisions different from the information set forth herein shall void any warranty granted by ST for such product.

ST and the ST logo are trademarks of ST. All other product or service names are the property of their respective owners.

Information in this document supersedes and replaces information previously supplied in any prior versions of this document.

© 2016 STMicroelectronics – All rights reserved