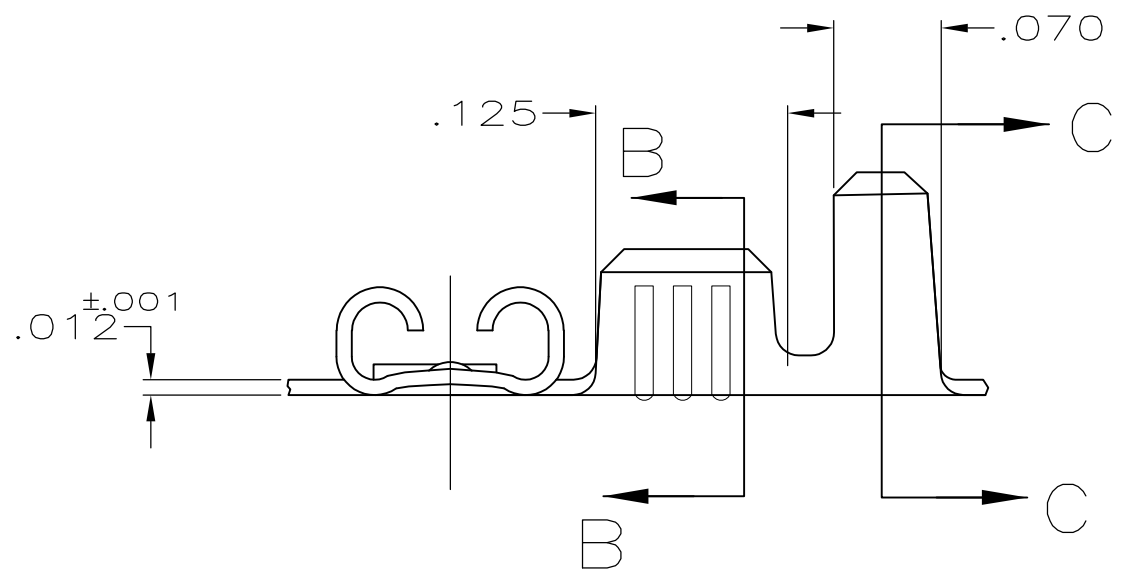
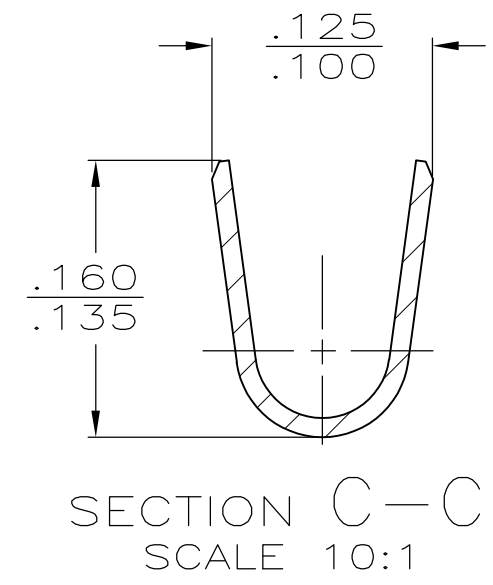
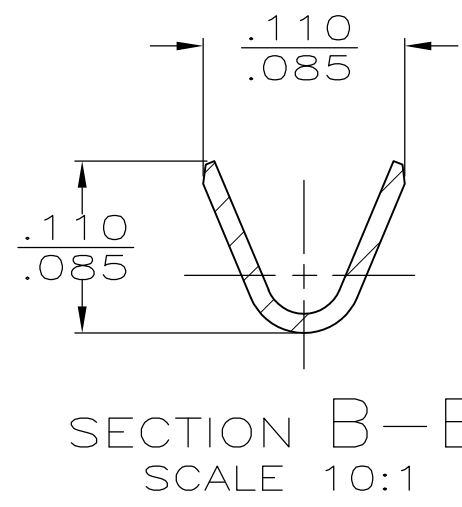
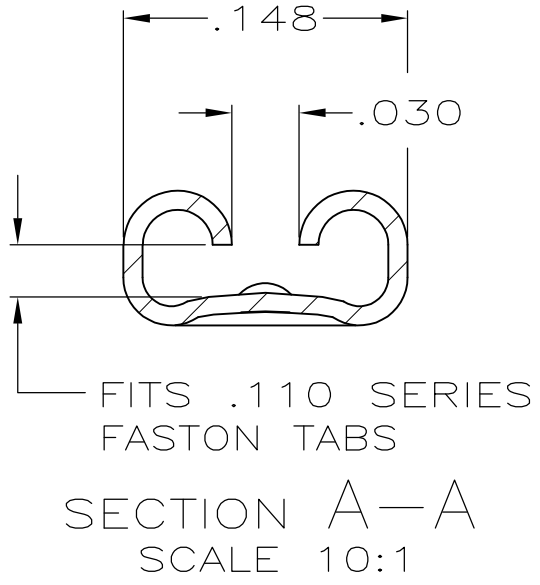
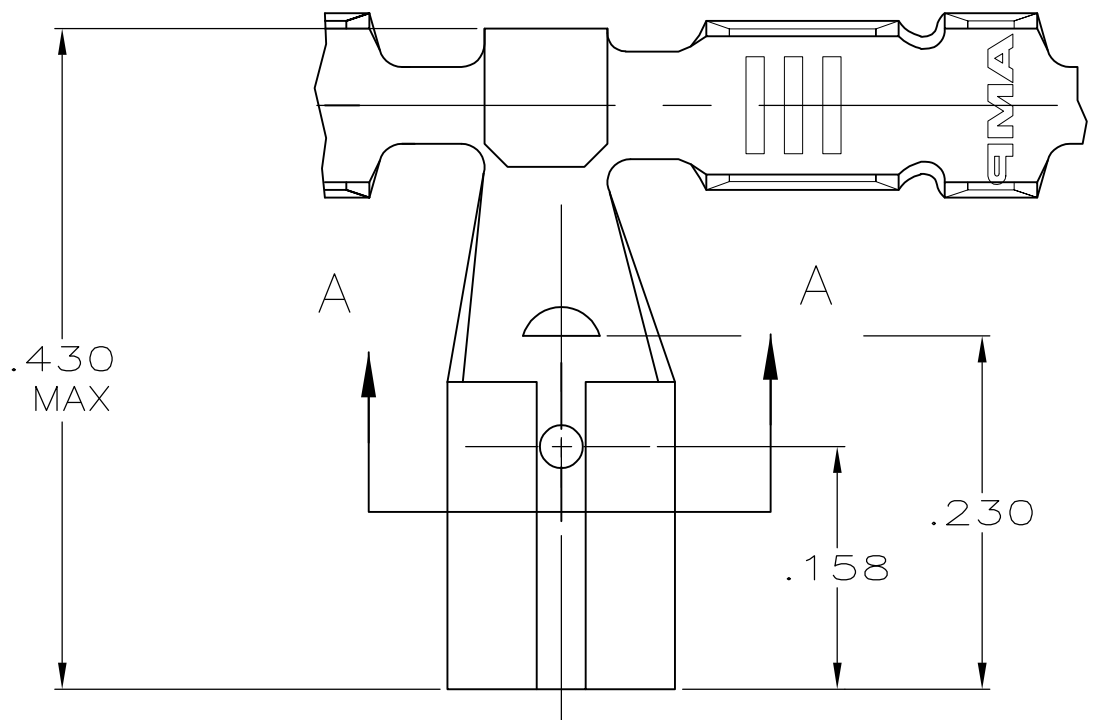


THIS DRAWING IS UNPUBLISHED. RELEASED FOR PUBLICATION
 © COPYRIGHT - By - ALL RIGHTS RESERVED.

LOC	DIST	REVISIONS					
AF	50	P	LTR	DESCRIPTION	DATE	DWN	APVD
		D		REVISED PER ECR-12-013459	04JAN2013	KH	PD

1 CONTINUOUS STRIP ON REELS



-	.060-.100 DIA	22-18 AWG	.020	61070-2
TIN				61070-1
FINISH	INSULATION RANGE	WIRE SIZE	MATING TAB THK ±.001	PART NO

THIS DRAWING IS A CONTROLLED DOCUMENT.		DWN JR RUTH 4/22/91	TE Connectivity RECEPTACLE, FASTON, FLAG, .110 SERIES				
DIMENSIONS: INCHES		CHK MS FEHER 4/22/91				NAME	
TOLERANCES UNLESS OTHERWISE SPECIFIED:		APVD C MEYERS 4/22/91				PRODUCT SPEC	
0 PLC ± - 1 PLC ± - 2 PLC ± - 3 PLC ± .015 4 PLC ± - ANGLES ± 1°		APPLICATION SPEC					
MATERIAL BRASS	FINISH SEE TABLE	WEIGHT -	SIZE A3	CAGE CODE 00779	DRAWING NO C-61070	RESTRICTED TO -	
CUSTOMER DRAWING			SCALE 8:1	SHEET 1 OF 1	REV D		