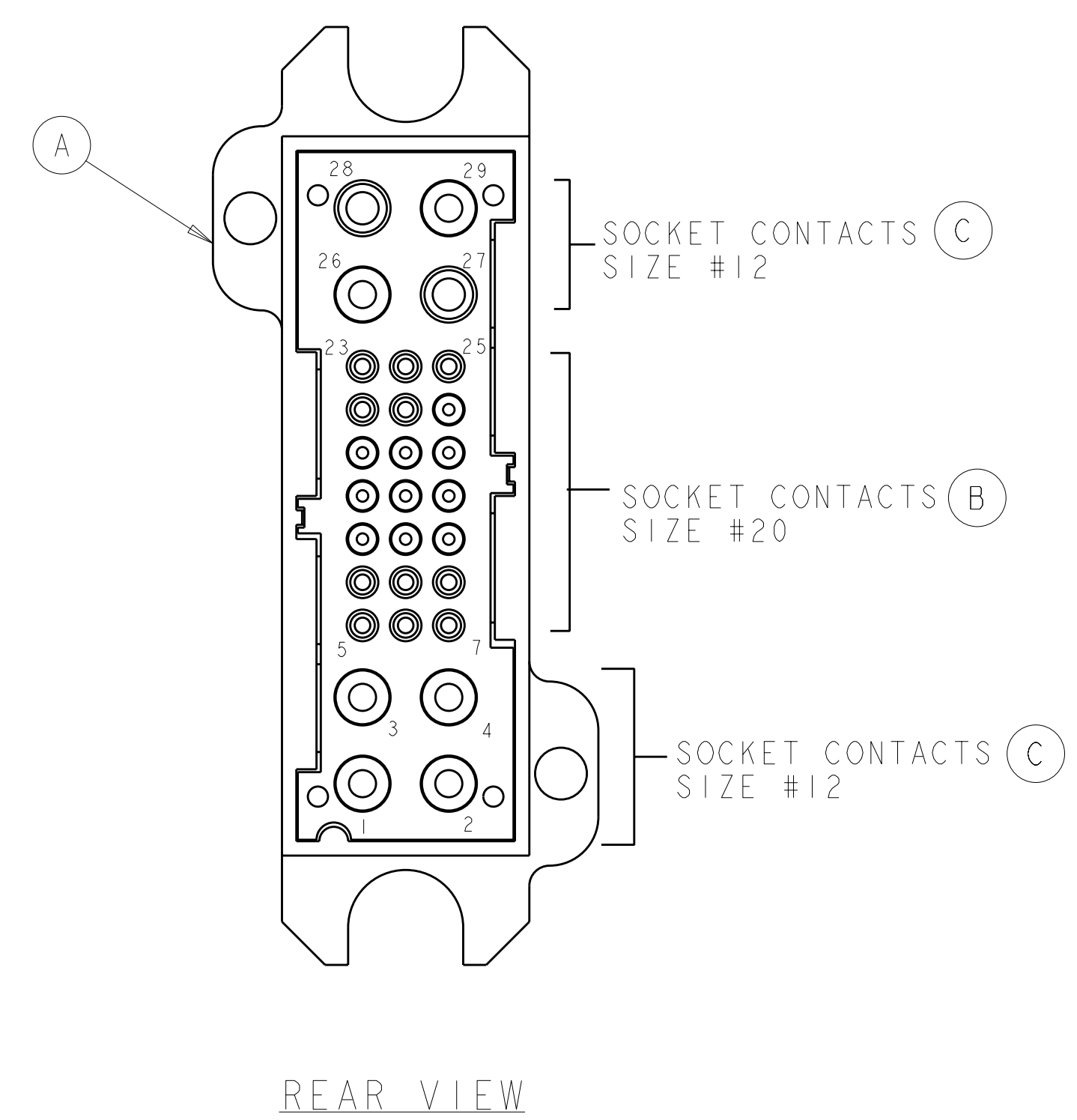
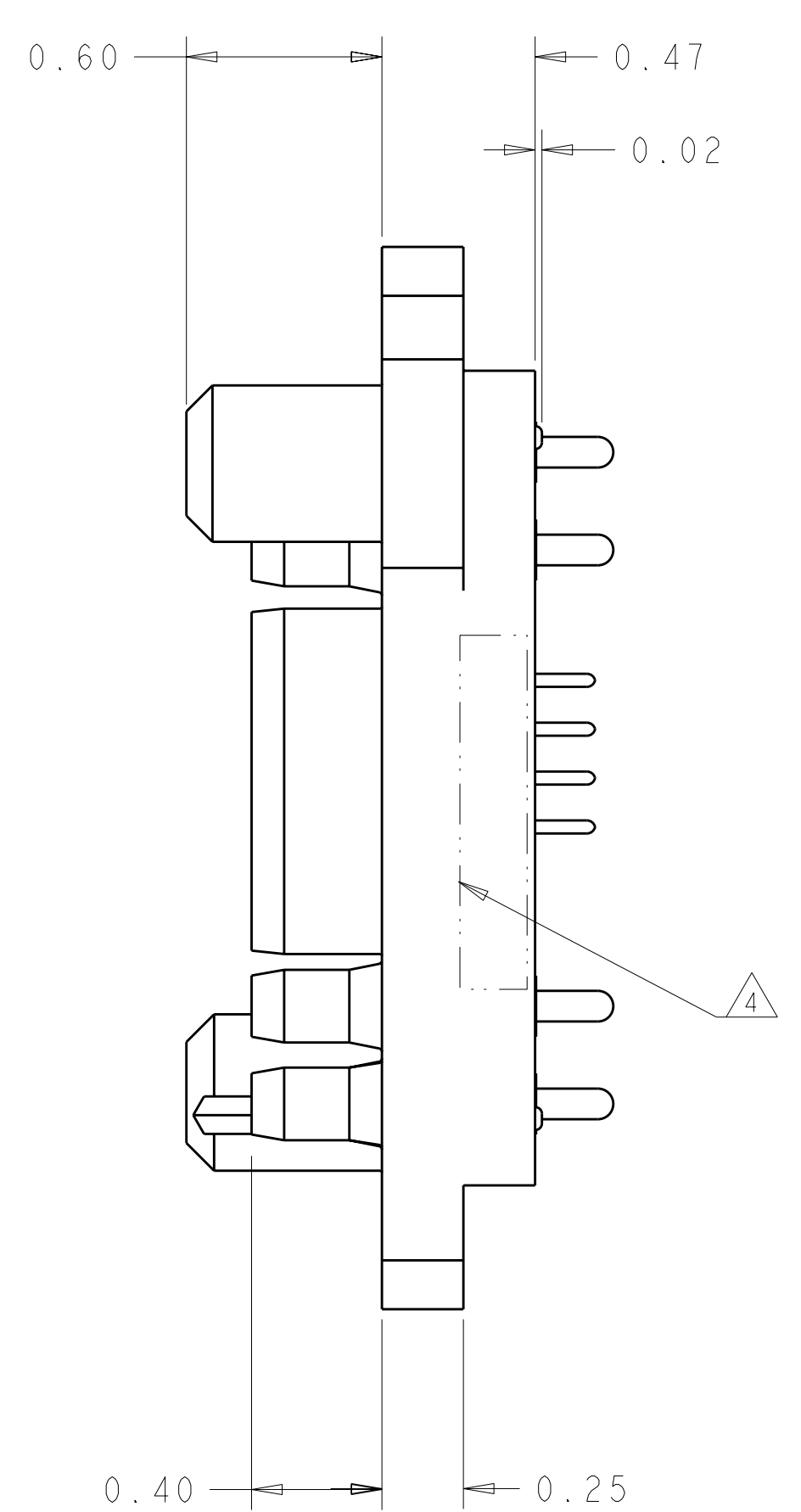
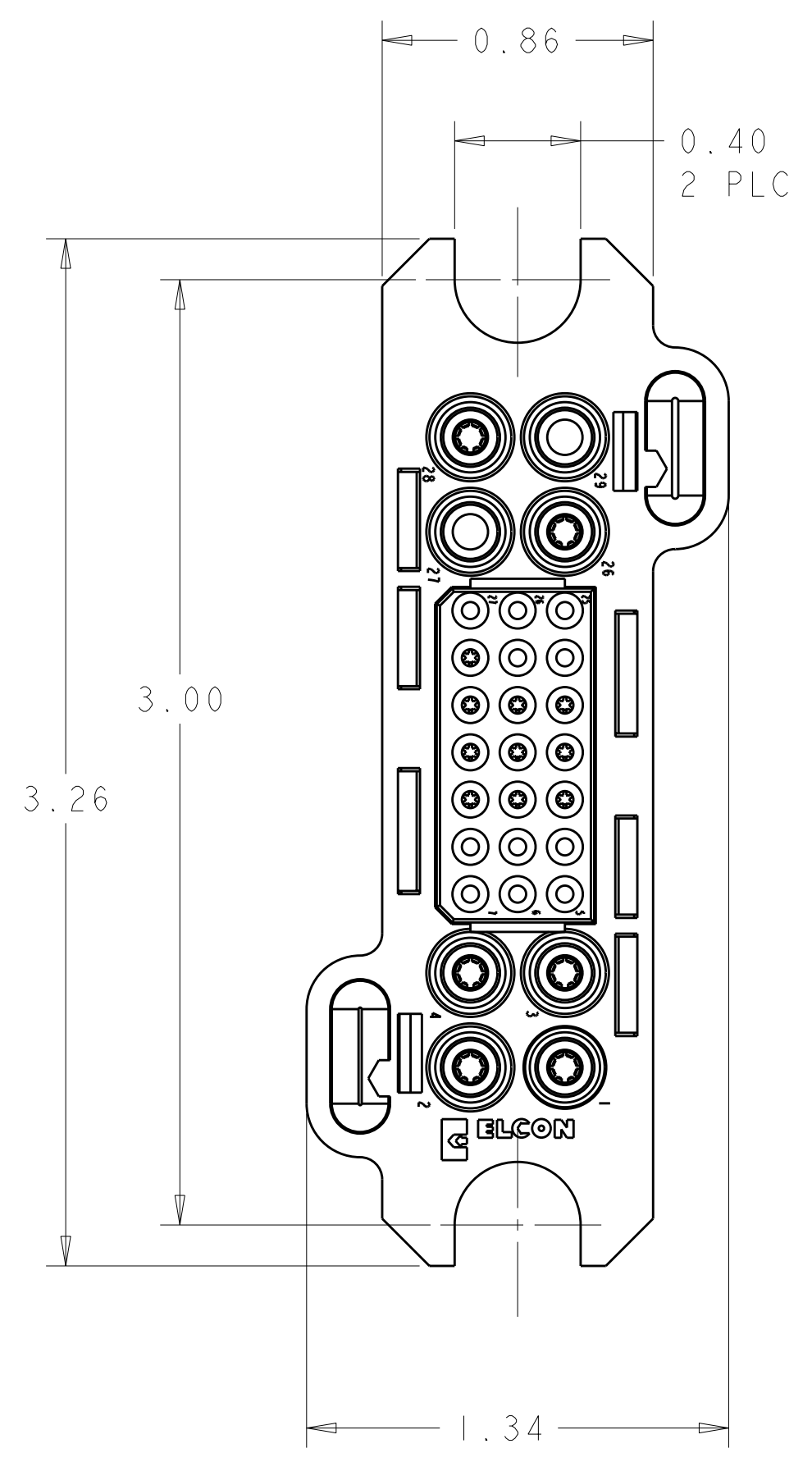


THIS DRAWING IS UNPUBLISHED. RELEASED FOR PUBLICATION 20  
 © COPYRIGHT 20 BY TYCO ELECTRONICS CORPORATION. ALL RIGHTS RESERVED.

LOC		DIST		REVISIONS			
P	LTR	DESCRIPTION	DATE	DWN	APVD		
GP	00	A	RELEASED	24MAR2008	RG	SF	



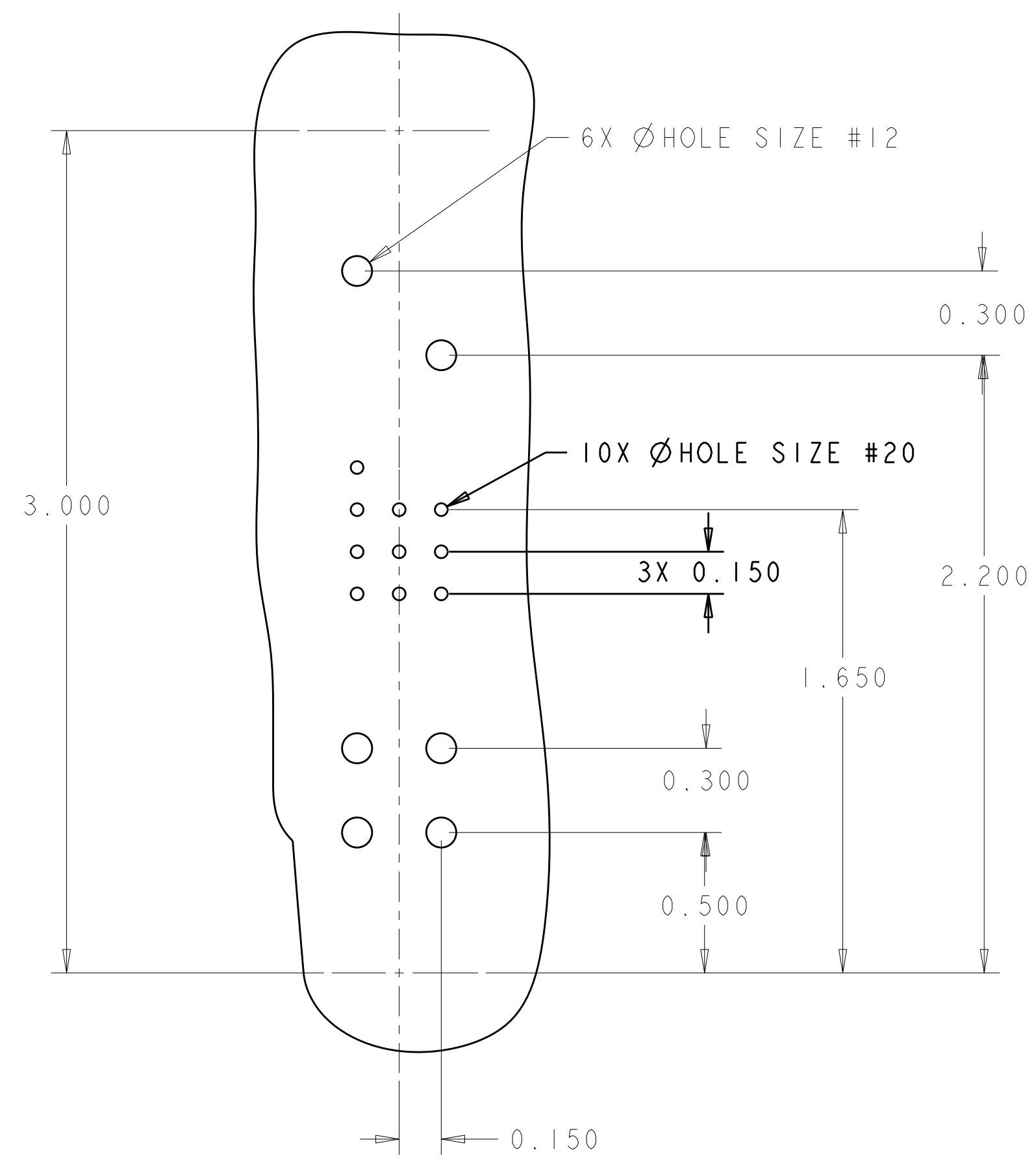
**ELCON LOWER DRAWER**

AS SHOWN	6651270-1
DESCRIPTION	PART NUMBER

<small>THIS DRAWING IS A CONTROLLED DOCUMENT FOR TYCO ELECTRONICS CORPORATION. IT IS SUBJECT TO CHANGE AND THE CONTROLLING ENGINEERING ORGANIZATION SHOULD BE CONTACTED FOR THE LATEST REVISION.</small>		DWN R. GRZYBOWSKI 24MAR08 CHK S. FLICKINGER 24MAR08 APVD S. FLICKINGER 24MAR08	Tyco Electronics Harrisburg, PA 17105-3608
DIMENSIONS: INCHES 	TOLERANCES UNLESS OTHERWISE SPECIFIED: 0 PLC ± 1 PLC ± 2 PLC ±.02 3 PLC ±.010 4 PLC ± ANGLES ±.5 FINISH	PRODUCT SPEC APPLICATION SPEC WEIGHT CUSTOMER DRAWING	NAME: CONNECTOR ASSEMBLY SOCKET 75 AMP, LOWER DRAWER SIZE: A2 CAGE CODE: 00779 DRAWING NO: 6651270 RESTRICTED TO: - SCALE: 3:1 SHEET 1 OF 2 REV A

THIS DRAWING IS UNPUBLISHED. RELEASED FOR PUBLICATION 20  
 © COPYRIGHT 20 BY TYCO ELECTRONICS CORPORATION. ALL RIGHTS RESERVED.

LOC	DIST	REVISIONS					
GP	00	P	LTR	DESCRIPTION	DATE	DWN	APVD
		-		SEE SHEET 1			



- PART NUMBER CHANGES AND OR DESIGN CHANGES AFFECTING THE INTERCHANGEABILITY REQUIRE PRIOR TYCO ELECTRONICS APPROVAL AND AUTHORIZATION BY REVISION TO THIS DRAWING.
- MATERIAL:  
 INSULATOR: THERMOPLASTIC, GLASS REINFORCED, UL 94V-0  
 FLAMMABILITY RATED, COLOR: BLACK  
 CONTACT BODY: BRASS ALLOY  
 CROWN BAND: BERYLLIUM COPPER  
 RETENTION CLIP: BERYLLIUM COPPER OR STAINLESS STEEL
- FINISH:  
 CONTACTS SIZE #12 : SILVER .000200 MIN THK.  
 OVER NICKEL .00040 MIN THK.  
 CONTACTS SIZE #20 : GOLD .000010 MIN THK.  
 OVER NICKEL .00040 MIN THK.  
 CROWN BAND: GOLD .000030 MIN THK.  
 OVER NICKEL .00040 MIN THK.

4 ITEMS PROVIDED TO THIS SPECIFICATION TO BE PERMANENTLY IDENTIFIED PER THE FOLLOWING IDENTIFIER:  
 YEAR 1 WEEK  
 TYCO ELECTRONICS P/N DATE CODE (e.g. 0216)  
 XXXXXXXX-X XXXX

5 PCB TAIL CONTACTS ARE INSERTABLE / NON-REMOVEABLE  
 SIZE #20 (ITEM B): LOADED IN POSN 11 THRU 19 & 22  
 SIZE #12 (ITEM C): LOADED IN POSN 1-4, 26 & 29

PRINTED CIRCUIT BOARD LAYOUT

VIEW FROM CONNECTOR MOUNTING SIDE  
 HOLE SIZE #12  
 DRILLED HOLE:  $\varnothing .1065 \pm .0005$   
 COPPER PLATE: .0010 - .0020  
 TIN PLATE: .00002 MIN. THK.

HOLE SIZE #20  
 DRILLED HOLE:  $\varnothing .0453 \pm .0005$   
 COPPER PLATE: .0010 - .0020  
 TIN PLATE: .00002 MIN. THK.

ELCON LOWER DRAWER

6	6648374-1	CONTACT, SOCKET, #12, PCB TAIL	C
10	1648382-1	CONTACT, SOCKET, #20, PCB TAIL	B
1	1648206-2	HOUSING, SOCKET, FLOAT MOUNT	A
-1	PART NUMBER	DESCRIPTION	ITEM

THIS DRAWING IS A CONTROLLED DOCUMENT FOR TYCO ELECTRONICS CORPORATION IT IS SUBJECT TO CHANGE AND THE CONTROLLING ENGINEERING ORGANIZATION SHOULD BE CONTACTED FOR THE LATEST REVISION.		DWN R.GRZYBOWSKI 24MAR08 CHK S.FLICKINGER 24MAR08 APVD S.FLICKINGER 24MAR08	Tyco Electronics Harrisburg, PA 17105-3608
DIMENSIONS: INCHES	TOLERANCES UNLESS OTHERWISE SPECIFIED: 0 PLC ± 1 PLC ±.02 2 PLC ±.010 3 PLC ± 4 PLC ± ANGLES ±.5 FINISH	PRODUCT SPEC APPLICATION SPEC WEIGHT	NAME CONECTOR ASSEMBLY SOCKET 75 AMP, LOWER DRAWER
MATERIAL		CUSTOMER DRAWING	SIZE A2 CAGE CODE 00779 DRAWING NO. C-6651270 RESTRICTED TO
		SCALE 3:1	SHEET 2 OF 2 REV A