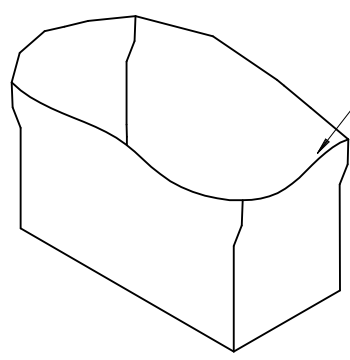
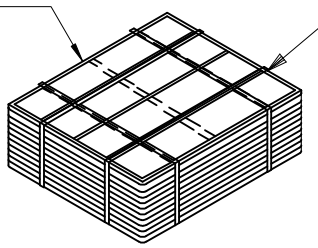
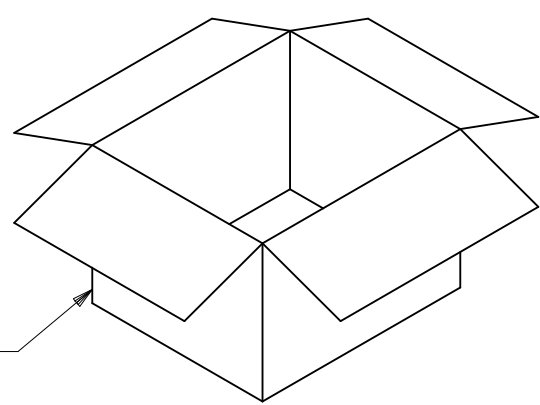


SOFT TRAY PART NUMBER	PRODUCT PART NUMBER	PARTS PER TRAY	TOTAL TRAYS PER CARTON	PARTS PER PRIMARY CARTON (SPD)
885960755	105142-8*** 105274-2***	9	12+1	100

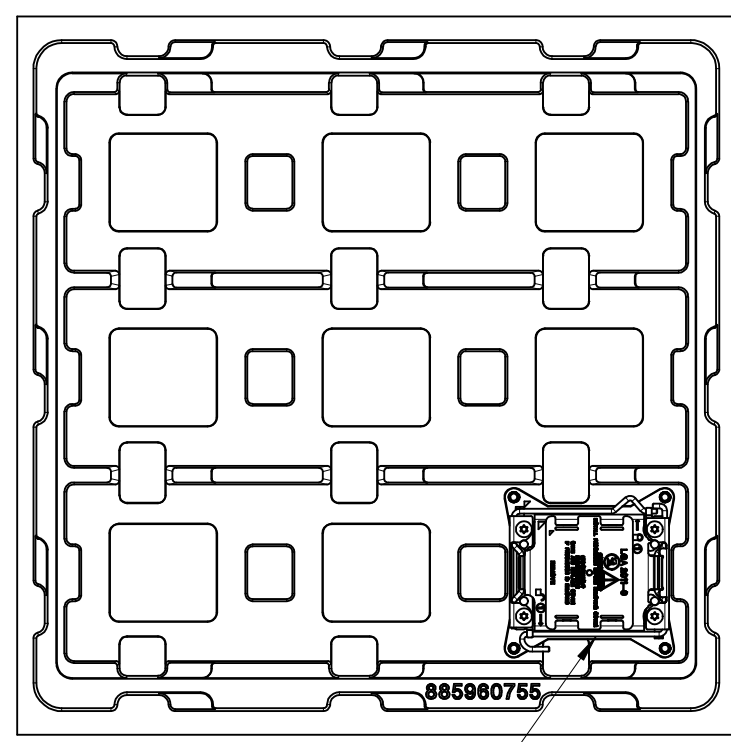
TOP LAYER - EMPTY TRAY RUBBER BAND



POLYBAG, FLAT (800\*1000)  
P/N: 96713-0005



CARTON  
P/N: 88596-0776



POR SQUARE ILM FOR SOCKET R0/R3  
105142-8\*\*\*/105274-2\*\*\*

- NOTES:
1. ALL CARTON CLOSURES MUST BE DONE WITH TAPE.
  2. STACK WITH ROTATE 180 DEGREE BETWEEN EACH PACKAGE TRAY.
  3. SECOND TRAY UNDER TOP EMPTY TRAY WITH 1PCS ILM

ENTER DESCRIPTION EC NO: SH2015-0083 DRWN: YXZHENG 2013/04/01 CHKD: APPR: AYIN 2014/09/02	QUALITY SYMBOLS	GENERAL TOLERANCES (UNLESS SPECIFIED)		DIMENSION STYLE	SCALE	DESIGN UNITS	THIRD ANGLE PROJECTION
	$F_A=0$	mm	INCH	MM ONLY	1:4	METRIC	
	$F_C=0$	4 PLACES ± ---	± ---	DRAWN BY	DATE	TITLE	
	$F_P=0$	3 PLACES ± ---	± ---	YXZHENG	2011/12/30	PACKAGE DRAWING (TRAY) FOR LGA 2011 SOCKET POR ILM	
		2 PLACES ± 0.25	± ---	CHECKED BY	DATE	MOLEX INCORPORATED	
	1 PLACE ± 0.20	± ---	APPROVED BY	DATE	DOCUMENT NO.		
	ANGULAR ± 1/2°	DRAFT WHERE APPLICABLE MUST REMAIN WITHIN DIMENSIONS		MATERIAL NO.	SHEET NO.		
2	REV	SIZE		THIS DRAWING CONTAINS INFORMATION THAT IS PROPRIETARY TO MOLEX INCORPORATED AND SHOULD NOT BE USED WITHOUT WRITTEN PERMISSION		PK-105142-800 1 OF 1	