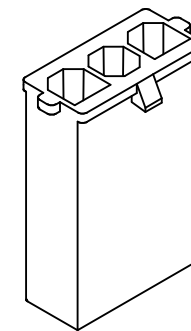
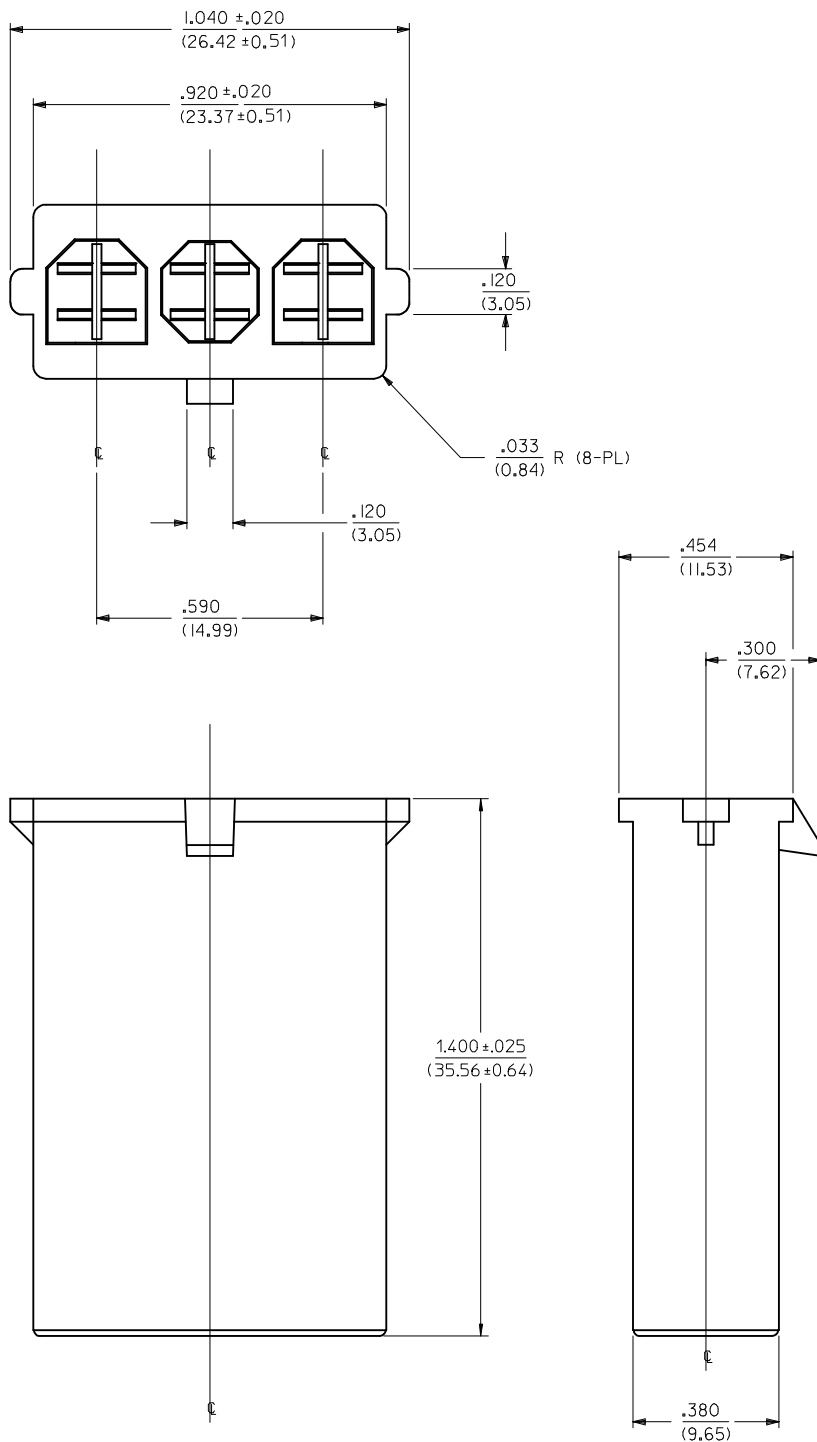


X = NOT RELEASED FOR PRODUCTION

	ITEM NUMBER	MATERIAL (SEE NOTE 1)	COLOR
	43180-1003	A	NATURAL
X	43180-2003	B	BLACK
	OBSOLETE 43180-3003	A	RED
	43180-4003	A	BLUE
	43180-5003	C	BLACK
	43180-7003	E	BLACK

NOTES:

- MATERIAL: A: NYLON, PA66, 94V-2, COLOR: SEE CHART.  
B: NYLON, PA66/6, 94V-0, BLACK.  
C: UL94V-0, PA66 NYLON.  
E: NYLON, UL94V-2, COLOUR:BLACK, IEC 60335-1, GLOW WIRE CAPABLE.
- FINISH: NONE
- PRODUCT SPECIFICATION: PSX-43335-9999.
- PACKAGING SPECIFICATION: PK-43180-001.
- THIS CONNECTOR HOUSING FOR USE WITH 43178-\*\*\*\* TERMINALS.
- THIS CONNECTOR HOUSING WILL MATE TO 43335-\*\*\*3, 43179-\*\*\*3, AND 44441-\*\*\*3 HOUSINGS.
- PARTS CONFORM TO CLASS B REQUIREMENTS OF COSMETIC SPECIFICATION PS-45499-002 EXCEPT MATERIAL OPTION 'C' MEETS CLASS 'C' REQUIREMENTS FOR SINK AND DISCOLORATION.



ADD-7003 PN EC NO: UCP2014-2000 DRWNGES 2013/11/06 CHKD: BANDERSON 2013/11/11 APPR: FSMITH 2014/03/31	QUALITY SYMBOLS ▽=0 ▽=0 ▽=0	GENERAL TOLERANCES (UNLESS SPECIFIED)		DIMENSION STYLE	SCALE	DESIGN UNITS	THIRD ANGLE PROJECTION	
				IN/MM	4:1	INCH		
				DRAWN BY	DATE	TITLE		
				CHECKED BY	DATE	3-CIR PLUG HOUSING .125/(3.18)X .020/(0.51) FLAT BLADE SYS. - T.P.A.		
		ANGULAR ±1/2°		APPROVED BY	DATE	DOCUMENT NO.		
		DRAFT WHERE APPLICABLE MUST REMAIN WITHIN DIMENSIONS		RAS	1995/08/09	SD-43180-*003		
				MATERIAL NO.	SHEET NO.			
				SEE CHART	1 OF 1			
				THIS DRAWING CONTAINS INFORMATION THAT IS PROPRIETARY TO MOLEX. INCORPORATED AND SHOULD NOT BE USED WITHOUT WRITTEN PERMISSION				