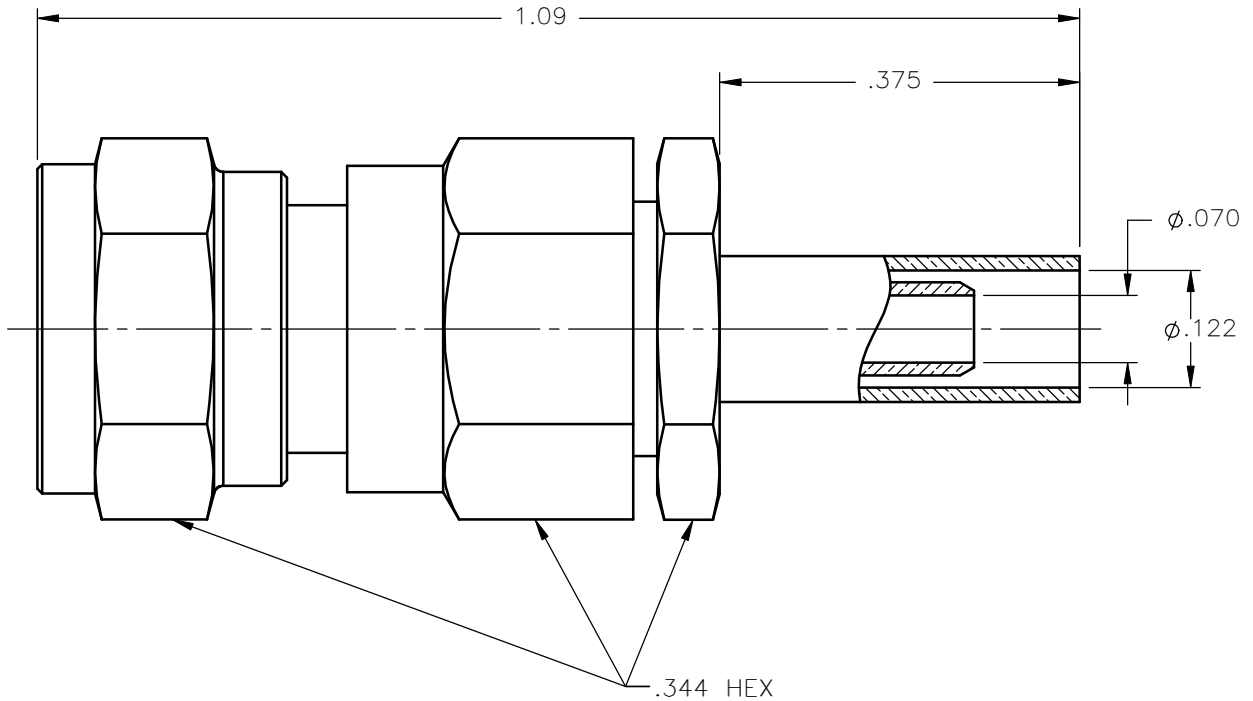
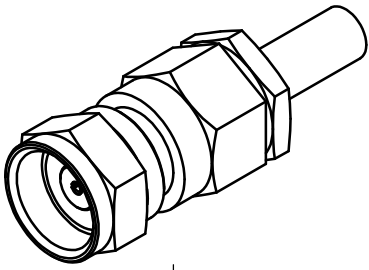


| REVISIONS | | | |
|-----------|-------------|----------|----------|
| REV. | DESCRIPTION | DATE | APPROVED |
| A | ECO #7713 | 09/17/09 | A.D.M. |



NOTES:


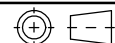
MATERIALS:

1. INSULATORS = VIRGIN WHITE TEFLON PER ASTM D1710, GRADE 1, TYPE I, CLASS "B".
2. CONTACT = BERYLLIUM COPPER PER ASTM B196, ALLOY C17300, TEMPER TD04.
3. CRIMP SLEEVE = SEAMLESS LOWLEAD BRASS TUBE, ALLOY 330, SOFT ANNEAL TEMPER, .025/.060 GRAIN SIZE OR SEAMLESS COPPER TUBE PER ASTM B75, TYPE C12000, TEMPER: LIGHT ANNEAL O50 EXCEPT YIELD STRENGTH.
4. ALL OTHER METAL PARTS = BRASS PER ASTM B16, ALLOY C36000, TEMPER H02.

FINISHES:

1. CONTACT = GOLD PLATE PER MIL-G-45204, TYPE II, CLASS 1, GRADE C, OVER .00010 TO .00020 STRESS FREE SULFAMATE NICKEL PER QQ-N-290.
2. ALL OTHER METAL PARTS = GOLD PLATE PER MIL-G-45204, TYPE II, CLASS 0, GRADE C, OVER .00010 TO .00020 COPPER STRIKE PER MIL-C-14550.

Property of Radiall Incorporated
 This document cannot be reproduced or
 communicated to a third party without prior
 written permission of RADIALL Incorporated.

| | | | | | | |
|---|-----------------------|----------|--|---|--|----------|
| UNLESS OTHERWISE SPECIFIED DIMENSIONS ARE IN INCHES TOLERANCES ON | DWN: | DATE |  APPLIED ENGINEERING PRODUCTS 104 John W. Murphy Dr. New Haven, CT 06513 a RADIALL company | 75 OHM STRAIGHT SCREW-ON FEMALE PLUG CRIMP TYPE FOR RG-316 & SIMILAR CABLES | | REV A |
| | A.D.M. | 09/17/09 | | | | |
| DECIMAL | ANGLE | CHKD: | DATE | SIZE A FSCM NO. 19505 DWG NO. 1702-1571-003 | | |
| | | D.N. | 09/17/09 | | | |
| | | APVD: | DATE | SCALE 5:1 THIRD ANGLE PROJECTION  SHEET 1 OF 1 | | |
| | | J.M. | 09/17/09 | | | |
| REFERENCE: | MATERIALS & FINISHES: | | | | | |
| ORIGINATED: D.N. DATE: 01/30/96 | SEE NOTES | | | | | |

1702-1571-003