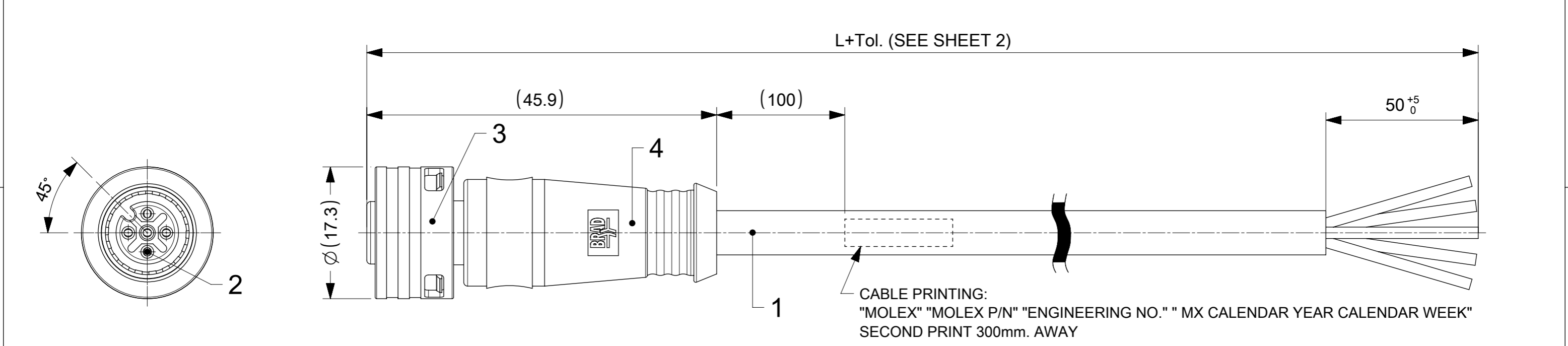
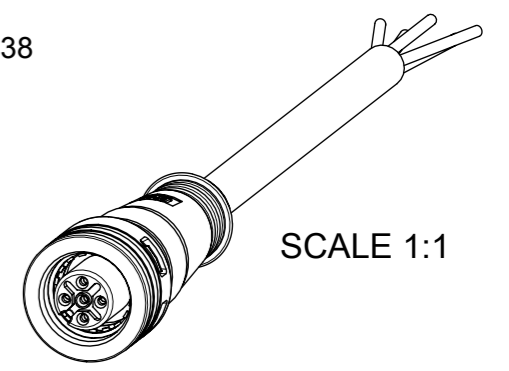


CODING ACCORDING TO IEC 61076-2-101



- NOTES:
- PARTS ACC. TO PRODUCT SPECIFICATION 1204000001 PS P10 AND IN STYLE OF IEC-61076-2-010
 - BOM & PART LIST - SEE SHEET 2
 - RATED VOLTAGE :
3, 4 CONTACTS: 250V AC OR DC
5 CONTACTS: 60V AC OR DC
RATED CURRENT:
3, 4, 5 CONTACTS: 4A, DERATING HAS TO BE CONSIDERED
OVERVOLTAGE CATEGORY: 3
POLLUTION DEGREE: 3, ONLY IN MATED AND LOCKED CONDITION
 - PROTECTION CLASS: IP 67, ONLY IN MATED AND LOCKED CONDITION
 - TEMPERATURE RANGE:
TEMPERATURE PLUG/SOCKET: -40 °C TO +85 °C
TEMPERATURE CABLE: SEE CABLE LIST
 - MECHANICAL OPERATIONS: 100 CYCLES
 - MATES WITH ULTRA-LOCK M12 MALE RECEPTACLES
 - PACKAGING: THE CORDSETS ARE SINGLE PACKED IN PLASTIC BAGS AND DELIVERED IN CARTON BOXES
 - UL CSA FILE REGISTRATION PENDING

FOR EXAMPLE: MOLEX 1204000001 Y03000E03M010 MX2038



DOCUMENT STATUS	P1	RELEASE DATE	2023/01/31	08:21:28
-----------------	----	--------------	------------	----------

FUNCTIONAL SYMBOLS	THIS DRAWING CONTAINS INFORMATION THAT IS PROPRIETARY TO MOLEX ELECTRONIC TECHNOLOGIES, LLC AND SHOULD NOT BE USED WITHOUT WRITTEN PERMISSION	CURRENT REV DESC: NOTES AND CABLE LIST UPDATED		molex		
	mm	2:1	CSE U12 3-5P AC FE STR XM SE UNSH BK			
	GENERAL TOLERANCES (UNLESS SPECIFIED)	EC NO: 736602		PRODUCT CUSTOMER DRAWING		
	ANGULAR TOL ± 1.0°	DRWN: RSCHIEBER 2023/01/23		DOCUMENT NUMBER		
4 PLACES ±	CHK'D: RSILLER 2023/01/31		DOC TYPE DOC PART REVISION			
3 PLACES ±	APPR: RSILLER 2023/01/31		1204000025 PSD 000 A3			
2 PLACES ± 0.05	INITIAL REVISION:		MATERIAL NUMBER			
1 PLACE ± 0.3	DRWN: RSCHIEBER 2020/09/15		CUSTOMER			
0 PLACES ± 0.5	APPR: RSILLER 2020/09/29		GENERAL MARKET			
DRAFT WHERE APPLICABLE MUST REMAIN WITHIN DIMENSIONS	THIRD ANGLE PROJECTION	DRAWING	SERIES	MATERIAL NUMBER	CUSTOMER	SHEET NUMBER
		A3-SIZE	120400	SEE SHEET 2	GENERAL MARKET	1 OF 2

