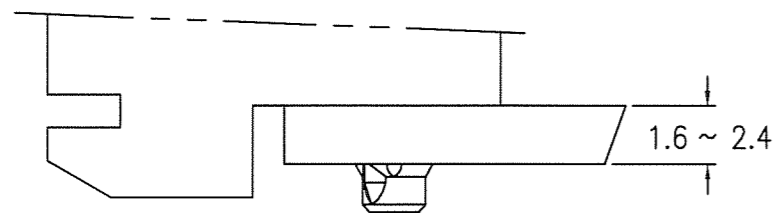
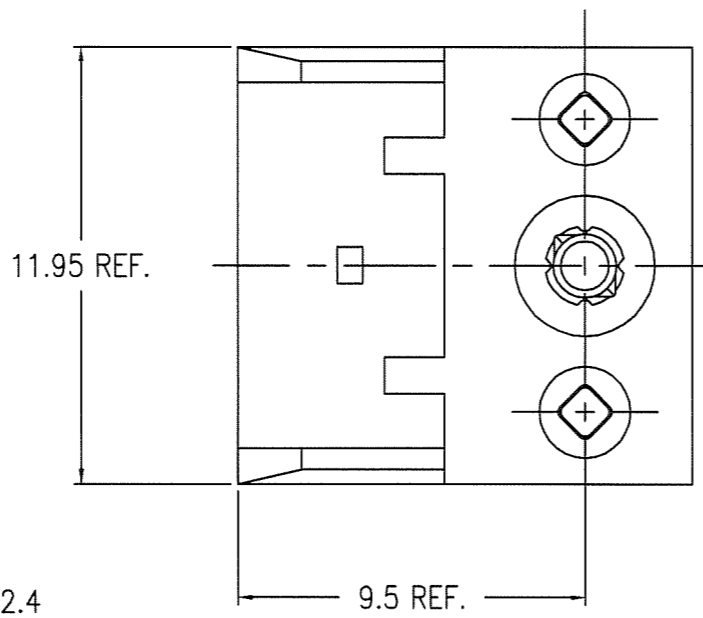
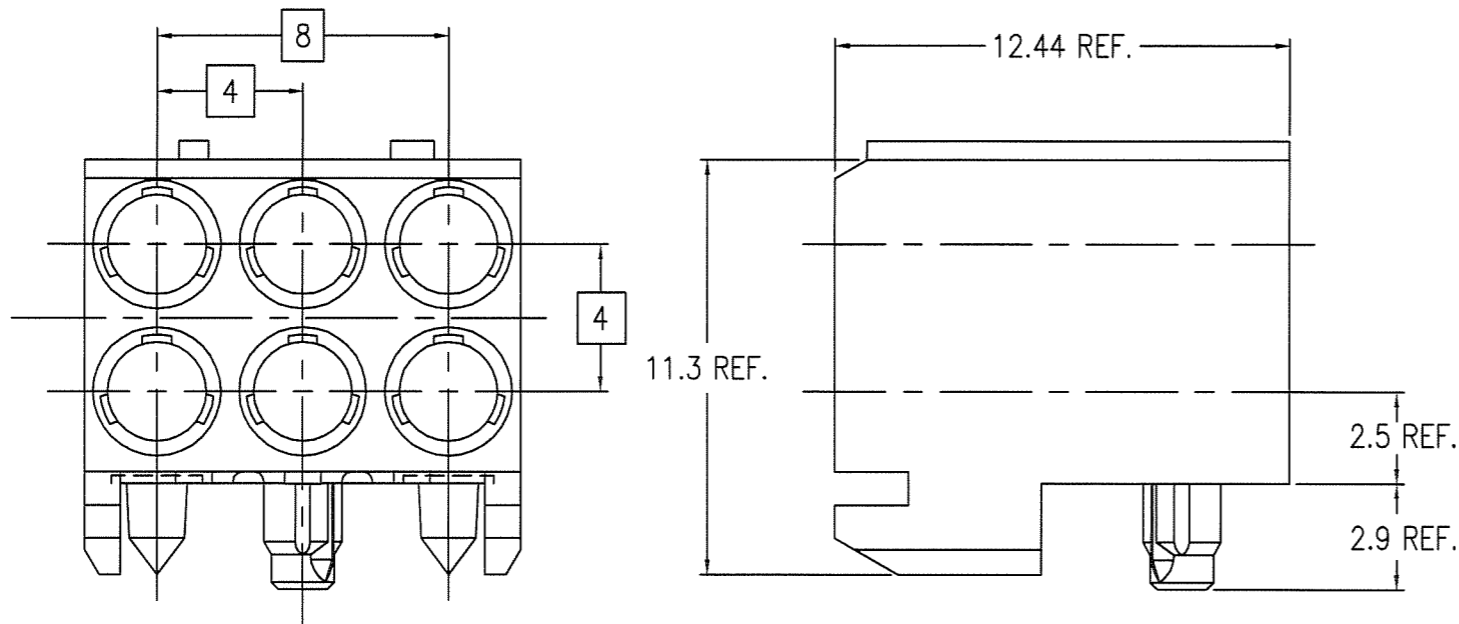
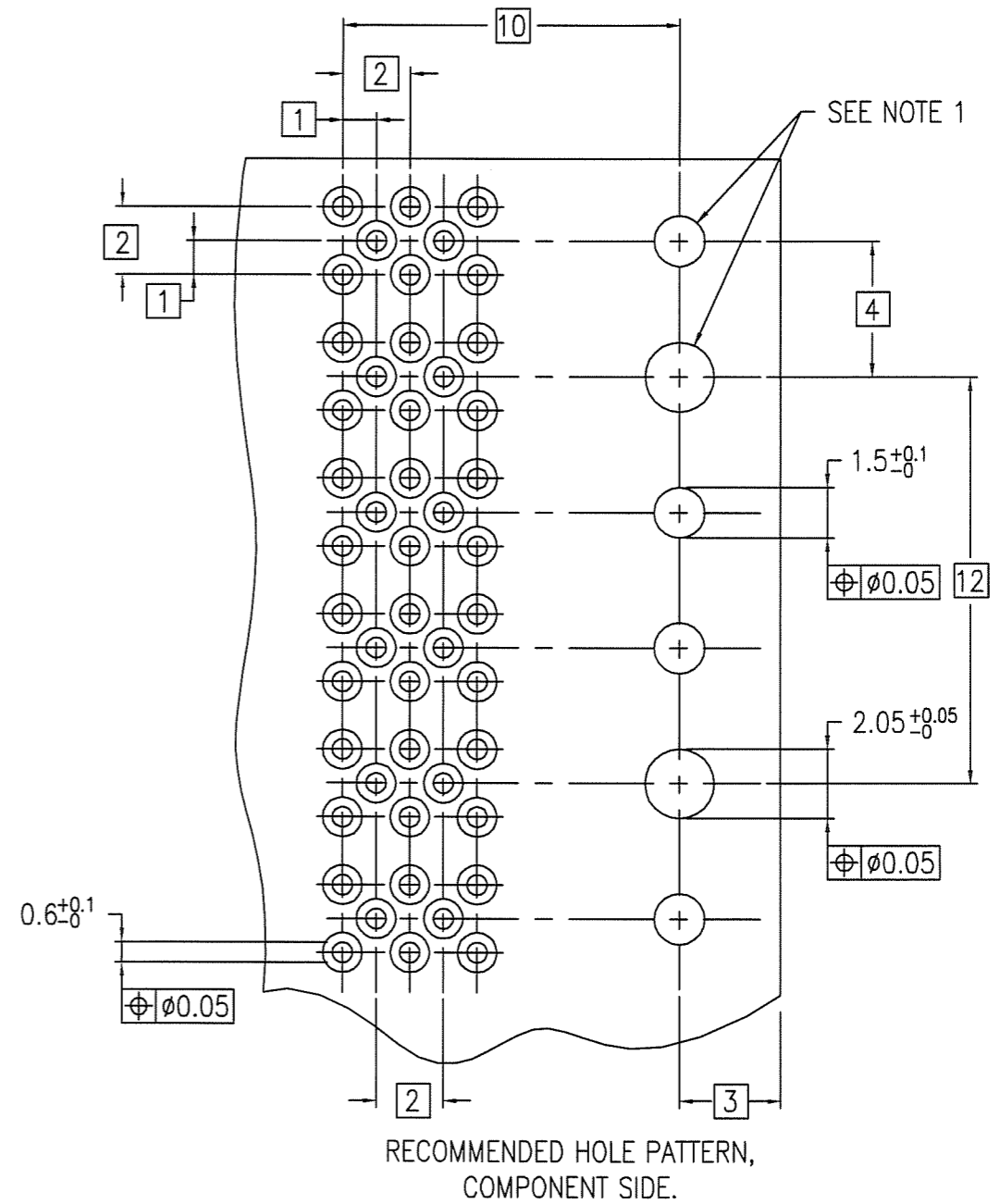


PRODUCT NO.

85939-102



PRODUCT AFTER PC BOARD APPLICATION

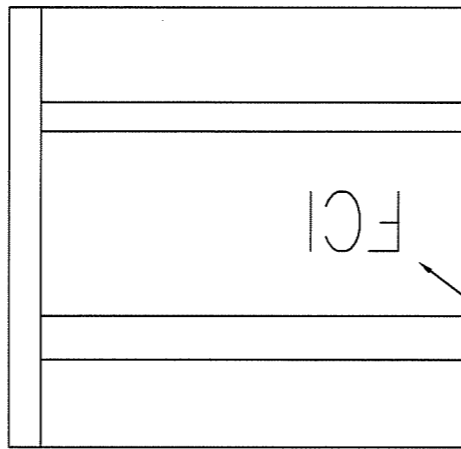
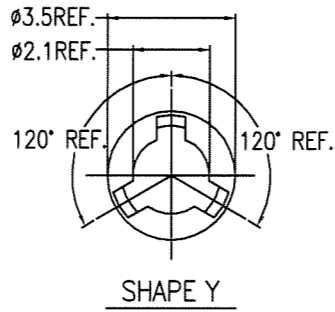


RECOMMENDED HOLE PATTERN, COMPONENT SIDE.

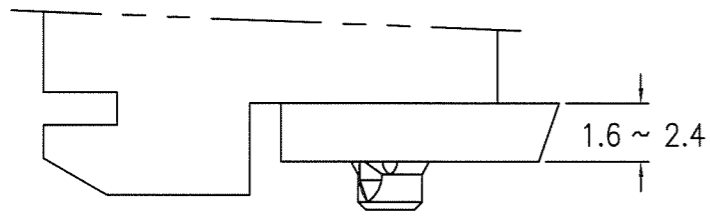
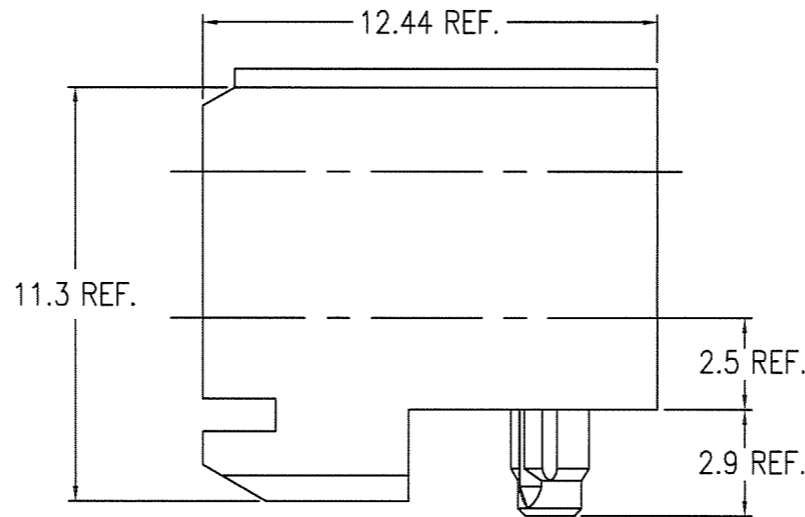
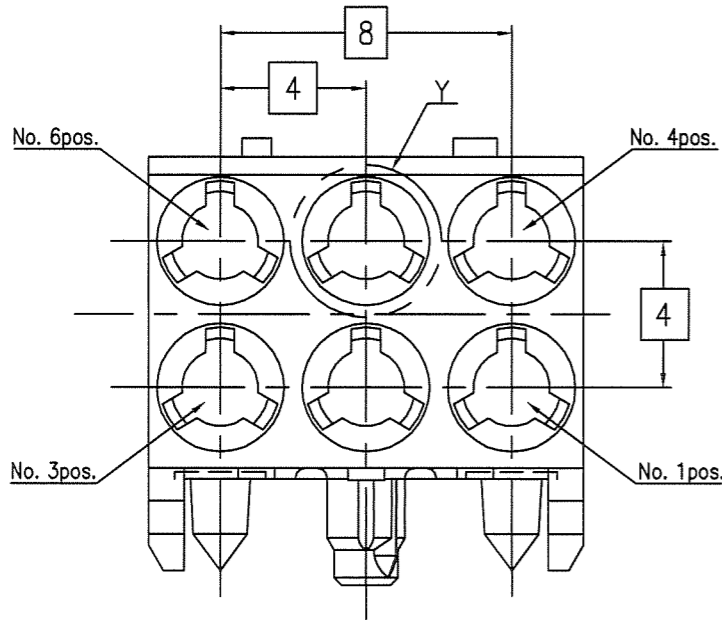
- NOTE :
1. INDICATED HOLES ARE UNPLATED.
 2. MATERIAL :
LIQUID CRYSTAL POLYMER 30% GLASS
UL 94V-0 , COLOR NATURAL

mat'l. code				surface ISO 1302		tolerance ISO 406 ISO 1101		projection		product family METRAL		CODE JP	
---								MM		title		R/A FEMALE MINI COAX PRESS PEG	
ltr description ecn no dr date				tolerances unless otherwise specified		angles linear		scale 5:1		dwg no		sheet 1 of 2 size	
A	RELEASED	J70165	M.N	6/23/97					85939		A3		
B	REVISED	J80420	Y.K	10/15/98					type		Customer Drawing		
C	REVISED	J80425	Y.K	10/21/98					Rev.		F		
D	REVISED	J90322	Y.K	1/17/00	dr		M.NAGASE 6/23/97						
E	REVISED	J10491	Y.K	9/18/01	engr		S.OKUDAIRA 1/17/07						
F	REVISED	J07-0030	S.O	1/18/07	chr		R. Shoji 1/18/07						
sheet index				revision sheet		F D							
1				2									

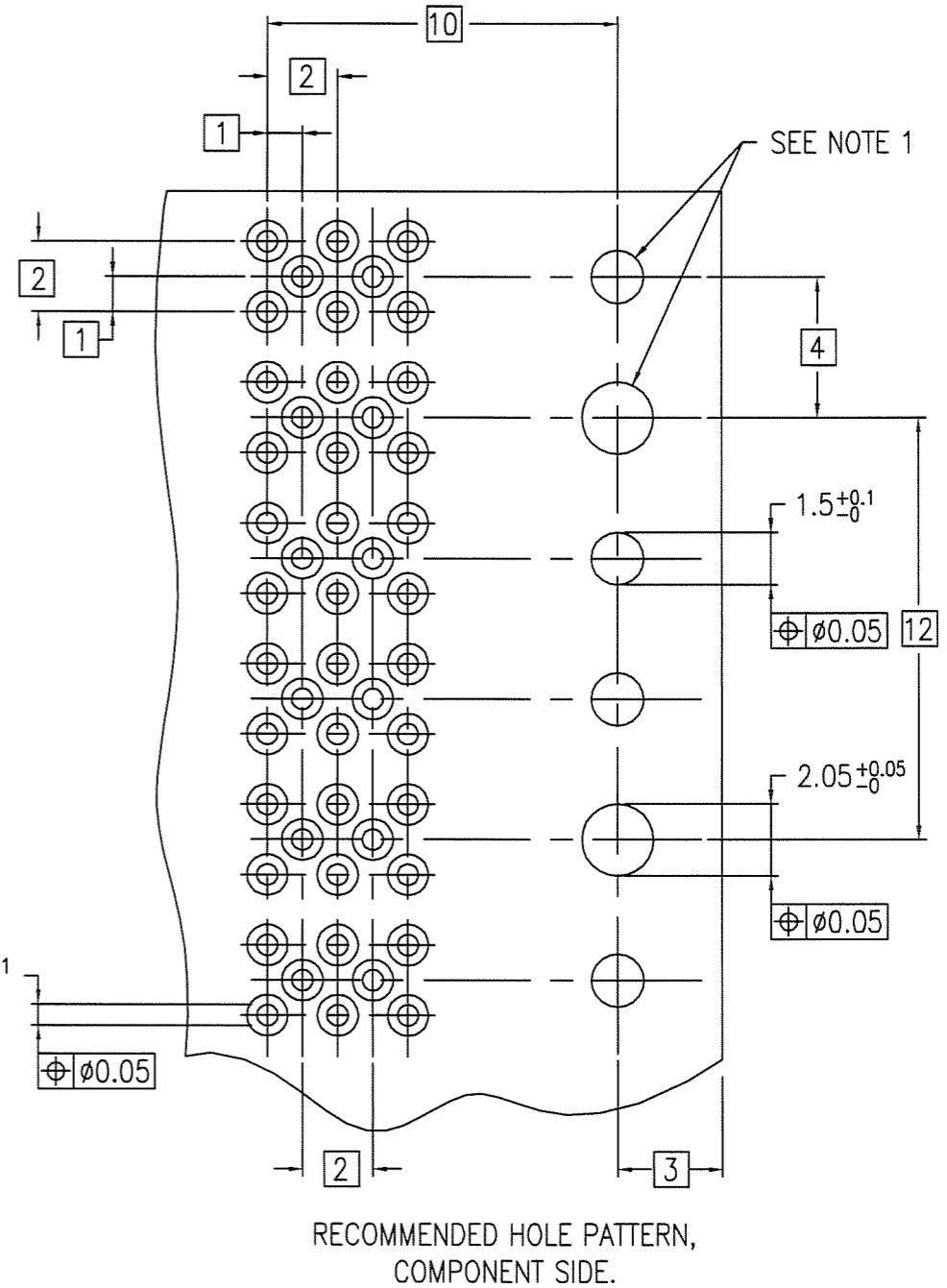
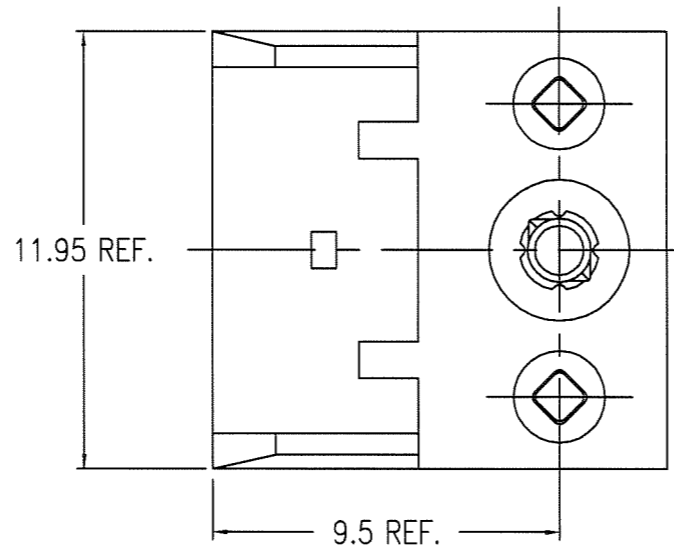
PRODUCT NO.	FCI MARKING
85939-122	WITHOUT
85939-1221	WITH



MARKING
(SEE TABLE)



PRODUCT AFTER PC BOARD APPLICATION



RECOMMENDED HOLE PATTERN,
COMPONENT SIDE.

NOTE :
1. INDICATED HOLES ARE UNPLATED.
2. MATERIAL :
LIQUID CRYSTAL POLYMER 30% GLASS
UL 94V-0 , COLOR NATURAL

mat'l. code				surface ISO 1302		tolerance ISO 406 ISO 1101		projection		product family METRAL		CODE JP	
---				✓				MM		title			
ltr description ecn no dr date				tolerances unless otherwise specified						R/A FEMALE MINI COAX PRESS PEG			
A	RELEASED	J80425	Y.K	10/21/'98	linear	0.X	±0.15			sheet 2 of		size	
B	REVISED	J90322	Y.K	1/17/'00	angles	0.XX	±0.15			85939		A3	
C	REVISED	J10491	Y.K	9/18/'01	0°±3'	0.XXX	±0.15	scale 5:1		type		Rev.	
D	REVISED	J07-0030	S.O	1/18/'07	dr	Y.KODAIRA	10/21/'98	FCI		Customer Drawing		D	
					enr	S.OKUDAIRA	1/18/'07						
					chr	R. Shaji	1/18/'07						
					app	S. Okudaira	1/18/'07						
sheet index	revision sheet												