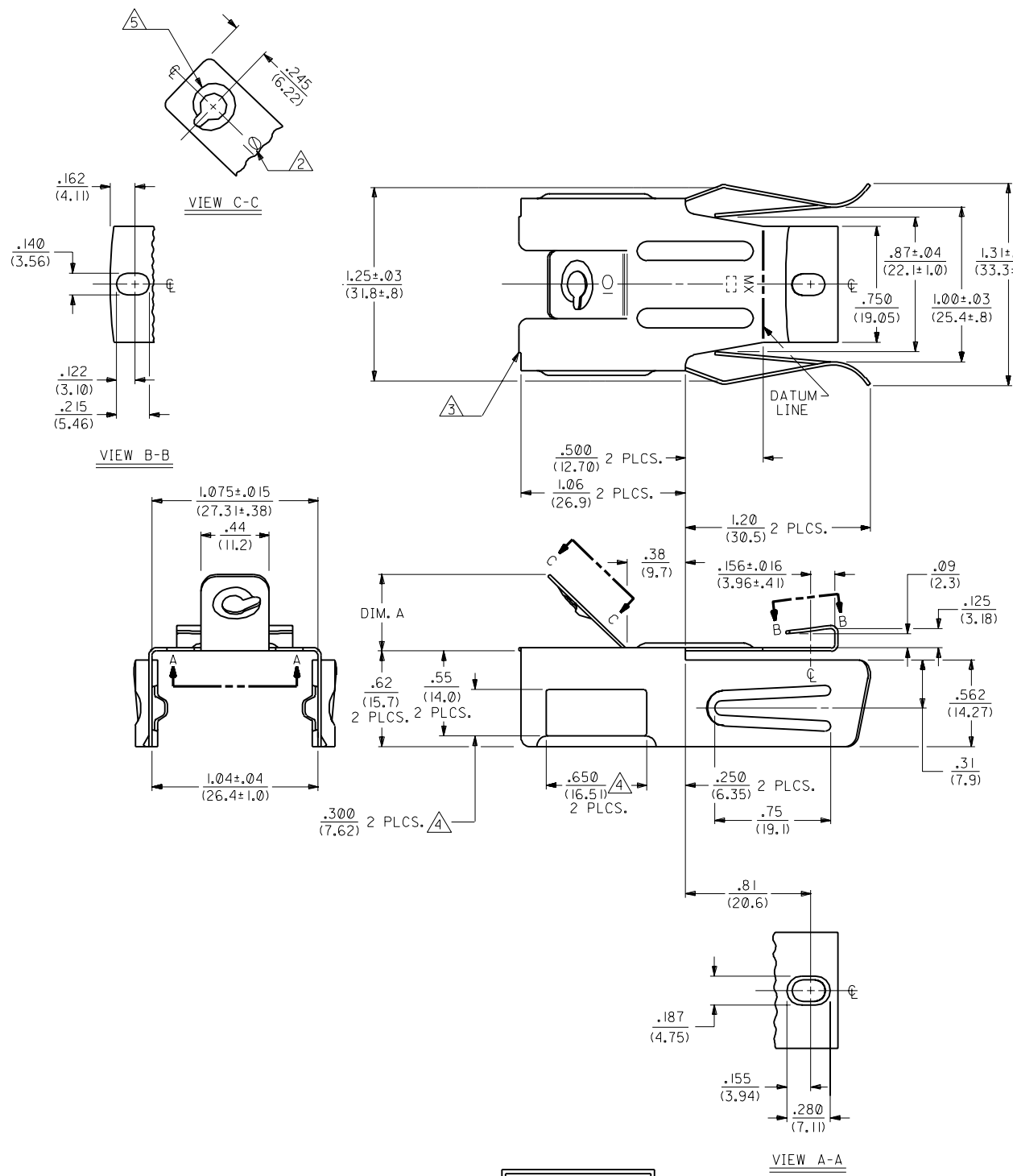


NOTES:

- 1. THESE MOUNTING CLIPS ARE FOR HOLDING THE 2481 SERIES HOUSINGS TO THE MAIN PANEL TOPS OF ELECTRIC RANGES.
- 2. SCREW SIZE INDICATION.
- 3. .015/(.38) MAXIMUM CUT OFF.
- 4. .010/(.25) MAXIMUM MISMATCH.
- 5. THREAD FORM FOR A #10-32 SCREW.
- 6. THIS SURFACE MAY BE FORMED IN THIS DIRECTION A MAXIMUM OF 5°.



2589-ID-10

MATERIAL:

STEEL, STAINLESS, TYPE 301, .020/(.51) THICK.

AC	OBSOLETED P/N	UCR2002-0255	01/9/12	COMERCI
AB2	REMOVED NOTCH	UCR2000-0104	8/11/99	COMERCI
AB1	REV. RADII	UCR2000-0086	8/05/99	COMERCI
AB	REVISED	UCR 1999-0818	6/03/99	ELHAG
AA	REVISED	ECN U4 0744	6/16/94	RHR
Z	REVISED	ECN U4 0213	2/14/94	RHR
Y	REVISED	ECN U3 0739	5/13/93	RHR
X	REDRAWN & REDIM.	ECN U2 1712	11/25/92	RHR

3	AB
2	Z
1	AC

DIMENSIONS SHOWN (METRIC) INCH		UNLESS OTHERWISE SPECIFIED TOLERANCES ANGULAR ± DMS 5°	
3 PLACE ± .010	---	---	---
2 PLACE ± .014	± 0.25	---	---
1 PLACE ---	± 0.35	---	---
DRAFT WHERE APPLICABLE MUST REMAIN WITHIN DIMENSIONS			
DRWG. BY: RHR	CHK'D. BY: ESS	FILE NAME: SD2589X1	DRWG. NO. SD-2589-*
APP'D. BY: RAS	SCALE: 2: 1	DATE: 11/20/92	SHEET NO. 1 of 3
SEE SHEET 3		MATERIAL: STEEL, STAINLESS, TYPE 301, .020/(.51) THICK.	

REVISIONS

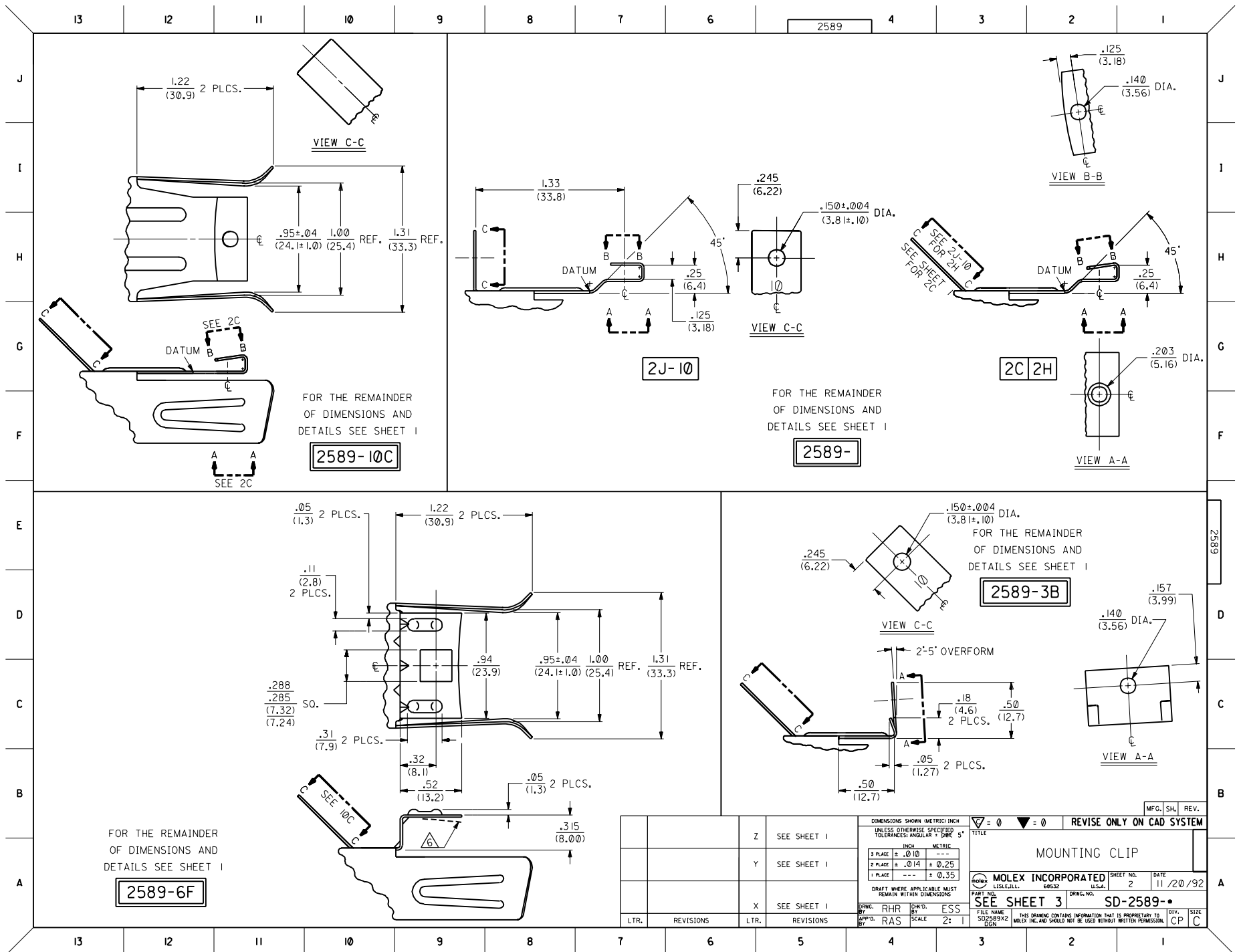
MFG. SH.	REV.	LTR.	REVISIONS

REVISE ONLY ON CAD SYSTEM

MOUNTING CLIP

MOLEX INCORPORATED  
1151E, ILL. 60532 U.S.A.

NO P.S.



VIEW C-C

VIEW B-B

VIEW C-C

VIEW A-A

FOR THE REMAINDER OF DIMENSIONS AND DETAILS SEE SHEET I

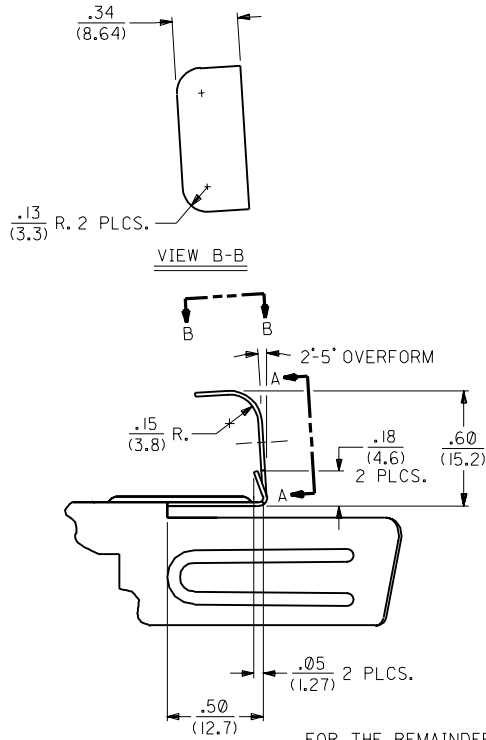
FOR THE REMAINDER OF DIMENSIONS AND DETAILS SEE SHEET I

FOR THE REMAINDER OF DIMENSIONS AND DETAILS SEE SHEET I

FOR THE REMAINDER OF DIMENSIONS AND DETAILS SEE SHEET I

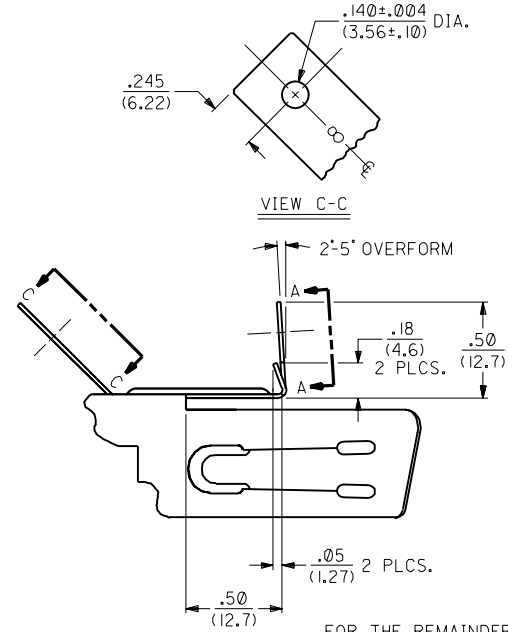
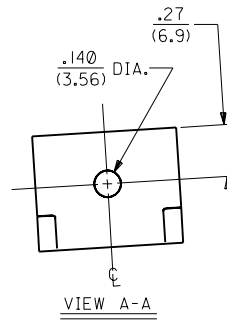
DIMENSIONS SHOWN METRIC INCH UNLESS OTHERWISE SPECIFIED TOLERANCES: ANGULAR ± .005°		MFG. SH. REV.	
INCH METRIC		TITLE	
3 PLACE ± .010	---	MOUNTING CLIP	
2 PLACE ± .014	± 0.25	MOLEX INCORPORATED SHEET NO. 2 DATE 11/20/92	
1 PLACE ---	± 0.35	LITTLE, JILL. 69532 U.S.A.	
DRAFT WHERE APPLICABLE MUST REMAIN WITHIN DIMENSIONS		PART NO. SD-2589-6	
DRWG. BY: RHR	CHK'D. BY: ESS	SEE SHEET 3	
APP'D. BY: RAS	SCALE: 2:1	DRWG. NO. SD-2589-6	
LTR. REVISIONS	LTR. REVISIONS	THIS DRAWING CONTAINS INFORMATION THAT IS PROPRIETARY TO MOLEX INC. AND SHOULD NOT BE USED WITHOUT WRITTEN PERMISSION.	
		CP C	

PART NO.	ENG. NO.	DIMENSION	
		A	
089-00-2006	2589-ID-10	.48±.025 (12.2±.64)	
089-00-2022	2589-2C	.53±.025 (13.5±.64)	
089-00-2025	2589-2H	.656±.025 (16.66±.64)	
089-00-2027	2589-2J-10	.562±.025 (14.27±.64)	
089-00-2041	2589-3B	.48±.025 (12.2±.64)	
089-00-2047	2589-6F	.375±.015 (9.53±.38)	
089-00-2100	2589-10C	.48±.025 (12.2±.64)	
089-00-2101	2589-21A	.62±.025 (15.7±.64)	<b>OBSOLETE</b>
089-00-2103	2589-23	.62±.025 (15.7±.64)	



FOR THE REMAINDER  
OF DIMENSIONS AND  
DETAILS SEE SHEET I

**2589-23**



FOR THE REMAINDER  
OF DIMENSIONS AND  
DETAILS SEE SHEET I

**2589-21A** **OBSOLETE**

LTR.		REVISIONS		LTR.		REVISIONS	
		AA	SEE SHEET I				
		Z	SEE SHEET I				
AB	SEE SHEET I	X	SEE SHEET I				

DIMENSIONS SHOWN (METRIC) INCH UNLESS OTHERWISE SPECIFIED TOLERANCES: ANGULAR ± 5°		▽ = 0 ▼ = 0		REVISE ONLY ON CAD SYSTEM																					
<table border="1"> <thead> <tr> <th></th> <th>INCH</th> <th>METRIC</th> </tr> </thead> <tbody> <tr> <td>3 PLACE</td> <td>± .010</td> <td>---</td> </tr> <tr> <td>2 PLACE</td> <td>± .014</td> <td>± 0.25</td> </tr> <tr> <td>1 PLACE</td> <td>---</td> <td>± 0.35</td> </tr> </tbody> </table>			INCH	METRIC	3 PLACE	± .010	---	2 PLACE	± .014	± 0.25	1 PLACE	---	± 0.35	<table border="1"> <tr> <td>FILE NAME</td> <td>SD2589X3</td> </tr> <tr> <td>DRWG. NO.</td> <td>SD-2589-*</td> </tr> </table>		FILE NAME	SD2589X3	DRWG. NO.	SD-2589-*	<table border="1"> <tr> <td>SHEET NO.</td> <td>3</td> </tr> <tr> <td>DATE</td> <td>2/24/93</td> </tr> </table>		SHEET NO.	3	DATE	2/24/93
	INCH	METRIC																							
3 PLACE	± .010	---																							
2 PLACE	± .014	± 0.25																							
1 PLACE	---	± 0.35																							
FILE NAME	SD2589X3																								
DRWG. NO.	SD-2589-*																								
SHEET NO.	3																								
DATE	2/24/93																								
<table border="1"> <tr> <td>DRWG. BY</td> <td>RHR</td> <td>CHK'D. BY</td> <td>ESS</td> </tr> <tr> <td>APP'D. BY</td> <td>RAS</td> <td>SCALE</td> <td>2: 1</td> </tr> </table>		DRWG. BY	RHR	CHK'D. BY	ESS	APP'D. BY	RAS	SCALE	2: 1	<table border="1"> <tr> <td>PART NO.</td> <td>SD-2589-*</td> </tr> <tr> <td>DRWG. NO.</td> <td>SD-2589-*</td> </tr> </table>		PART NO.	SD-2589-*	DRWG. NO.	SD-2589-*	<table border="1"> <tr> <td>MFG.</td> <td>SH.</td> <td>REV.</td> </tr> <tr> <td></td> <td></td> <td></td> </tr> </table>		MFG.	SH.	REV.					
DRWG. BY	RHR	CHK'D. BY	ESS																						
APP'D. BY	RAS	SCALE	2: 1																						
PART NO.	SD-2589-*																								
DRWG. NO.	SD-2589-*																								
MFG.	SH.	REV.																							
<p>THIS DRAWING CONTAINS INFORMATION THAT IS PROPRIETARY TO MOLEX INC. AND SHOULD NOT BE USED WITHOUT WRITTEN PERMISSION.</p>																									