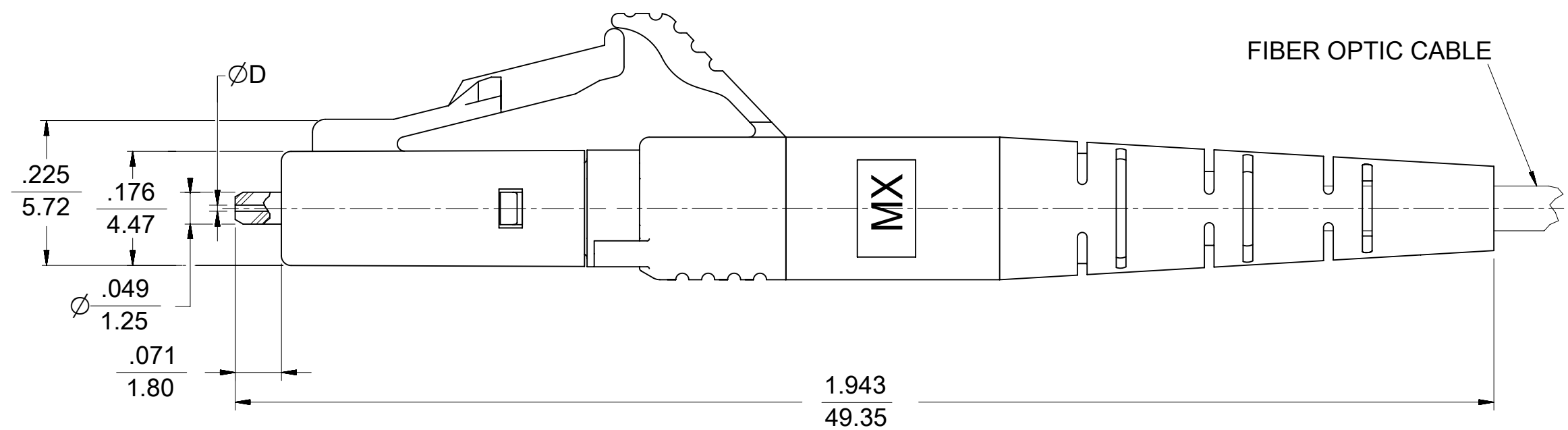
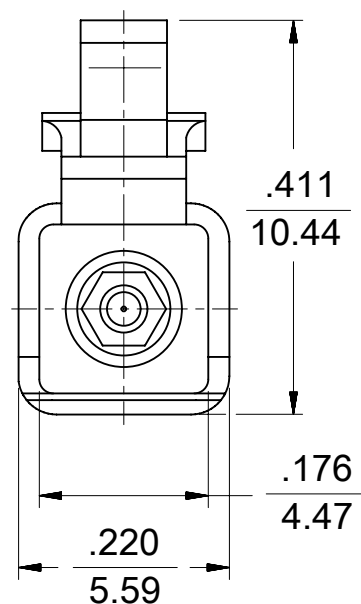


CONNECTOR P/N	ØD (µm)	BOOT COLOR	CABLE DESCRIPTION & Ø (mm)	CABLE TYPE
106024-2000	125.50	WHITE	SIMPLEX 1.6	SINGLE MODE
106024-2300			SIMPLEX 2.0	
106024-3000			ZIPCARD 1.6	
106024-3300	127.00		SIMPLEX 1.6	MULTIMODE
106024-3310*			SIMPLEX 2.0	
106024-3320			ZIPCARD 1.6	
106024-4301*	125.00		SIMPLEX 2.0	SINGLE MODE
			ZIPCARD 1.6	
106024-5000	126.00		SIMPLEX 1.6	
106024-5300	125.25		SIMPLEX 2.0	SINGLE MODE
106024-5310*			ZIPCARD 1.6	
106024-6000			SIMPLEX 1.6	
106024-6300	125.10-125.50	SIMPLEX 2.0	SINGLE MODE	
		ZIPCARD 1.6		
106090-4250		SIMPLEX 1.6		
106090-4260	125.51-125.90	SIMPLEX 2.0	SINGLE MODE	
106090-4270		ZIPCARD 1.6		
106090-4280		SIMPLEX 1.6		
106090-2900	125.50	SIMPLEX 2.0	SINGLE MODE	
106090-2930		ZIPCARD 1.6		
106090-4100		SIMPLEX 1.6		
106090-4130	125.00	SIMPLEX 2.0	SINGLE MODE	
106090-6100		ZIPCARD 1.6		
106090-6130		SIMPLEX 1.6		
106090-6110	125.25	SIMPLEX 2.0	SINGLE MODE	
106090-6135		ZIPCARD 1.6		
106024-3100		126.00		SIMPLEX 2.0
		ZIPCARD 1.6		



FIBER OPTIC CABLE

NOTES:

- 1. DUST CAPS ARE NOT SHOWN BUT INCLUDED.
- *2. P/N 106024-4301, 106024-3310 AND 106024-5310 ARE BULK PACKED.

FUNCTIONAL SYMBOLS	THIS DRAWING CONTAINS INFORMATION THAT IS PROPRIETARY TO MOLEX ELECTRONIC TECHNOLOGIES, LLC AND SHOULD NOT BE USED WITHOUT WRITTEN PERMISSION										
	FA = 0	DIMENSION UNITS	SCALE	CURRENT REV DESC: OBSOLETE PART NUMBER AS PER PCN#508521							molex
FC = 0	IN/MM	4:1	GENERAL TOLERANCES (UNLESS SPECIFIED)							LC CONNECTOR	
DIVISIONAL SYMBOLS	FP = 0	4 PLACES ±		MM	INCH	EC NO: 667392					PRODUCT CUSTOMER DRAWING
		3 PLACES ±				DRWN: ABHISP1 2021/04/29					
		2 PLACES ±				CHK'D: GGA 2021/07/05					DOCUMENT NUMBER
		1 PLACE ±				APPR: GGA 2021/07/05					
		0 PLACES ±				INITIAL REVISION:					DOC PART
		ANGULAR TOL ± 0.5 °				DRWN: PGIBLIN 2005/09/01					
		DRAFT WHERE APPLICABLE MUST REMAIN WITHIN DIMENSIONS				APPR:					SD-1060RR-RRRR
		THIRD ANGLE PROJECTION				DRAWING					
		DRAWING				SERIES					001
		C-SIZE				106024					
		MATERIAL NUMBER				CUSTOMER					1 OF 1
		SEE TABLE				GENERAL MARKET					