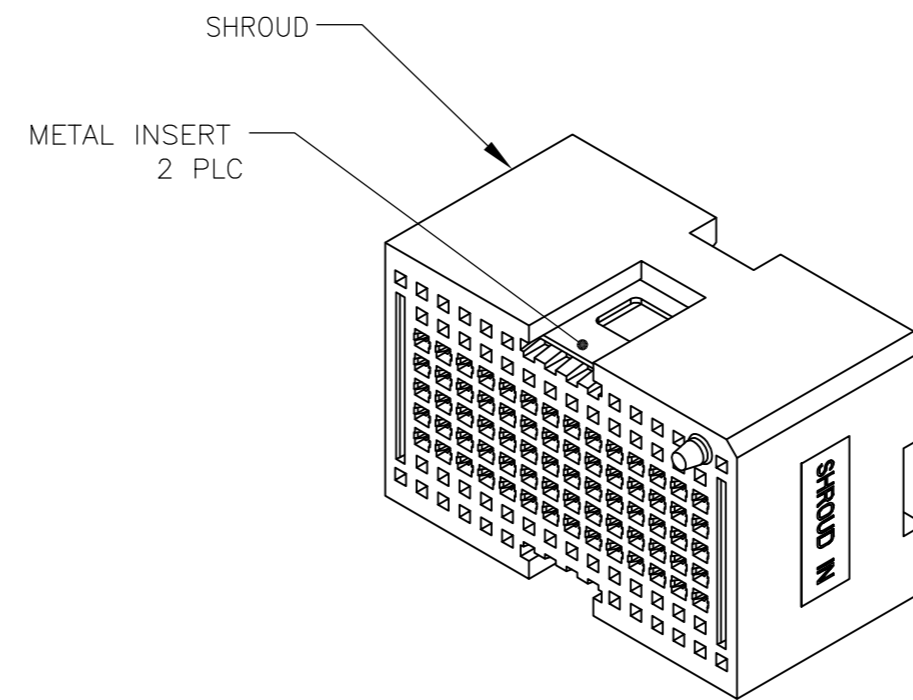
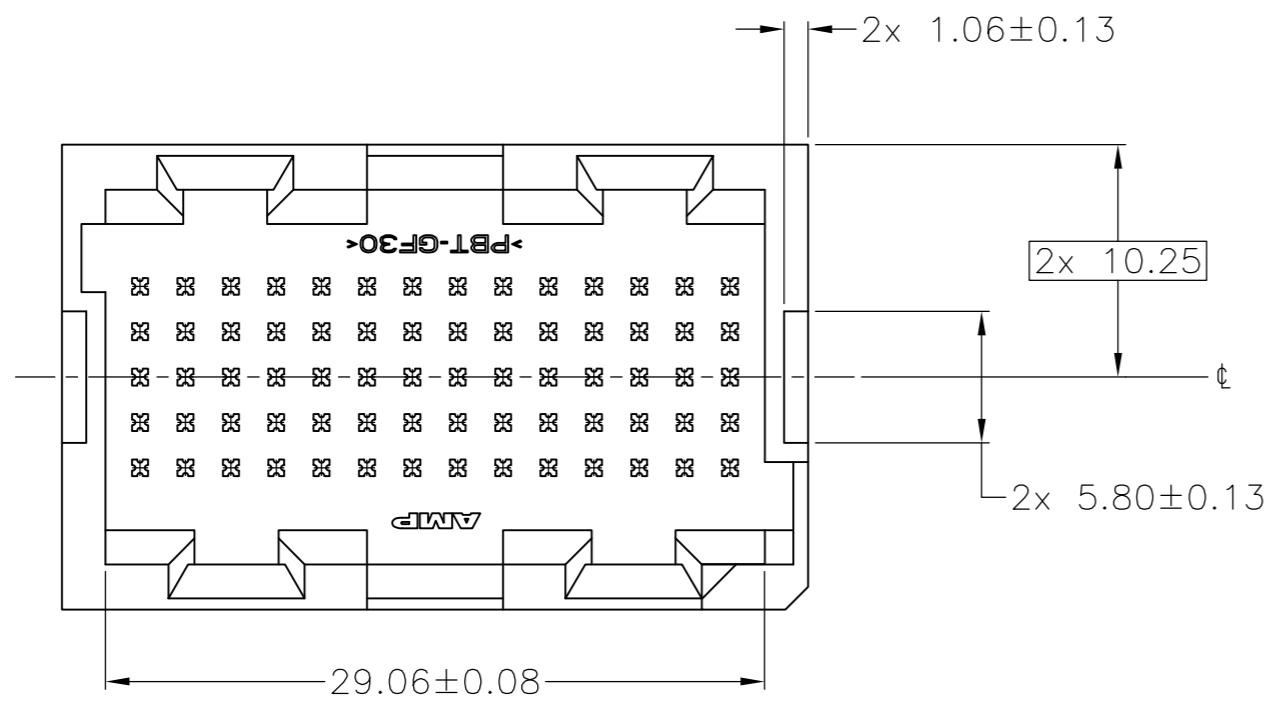
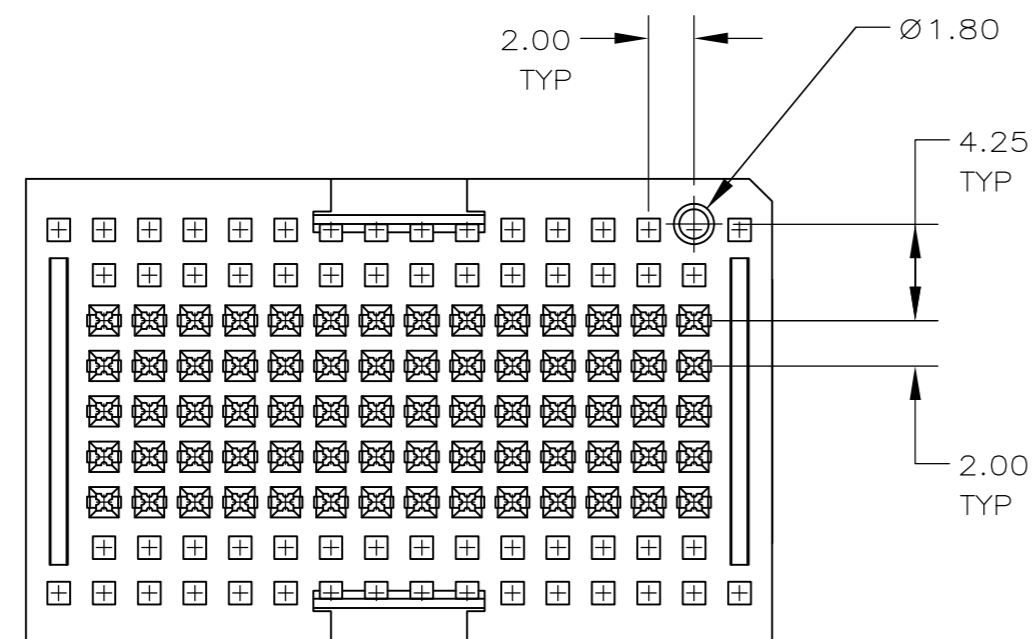
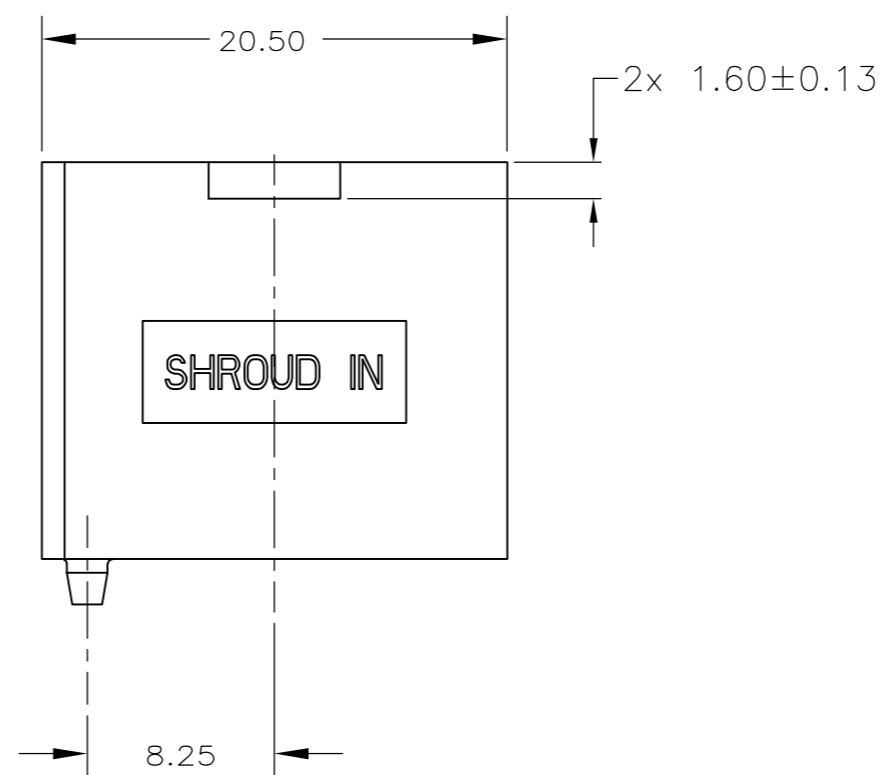
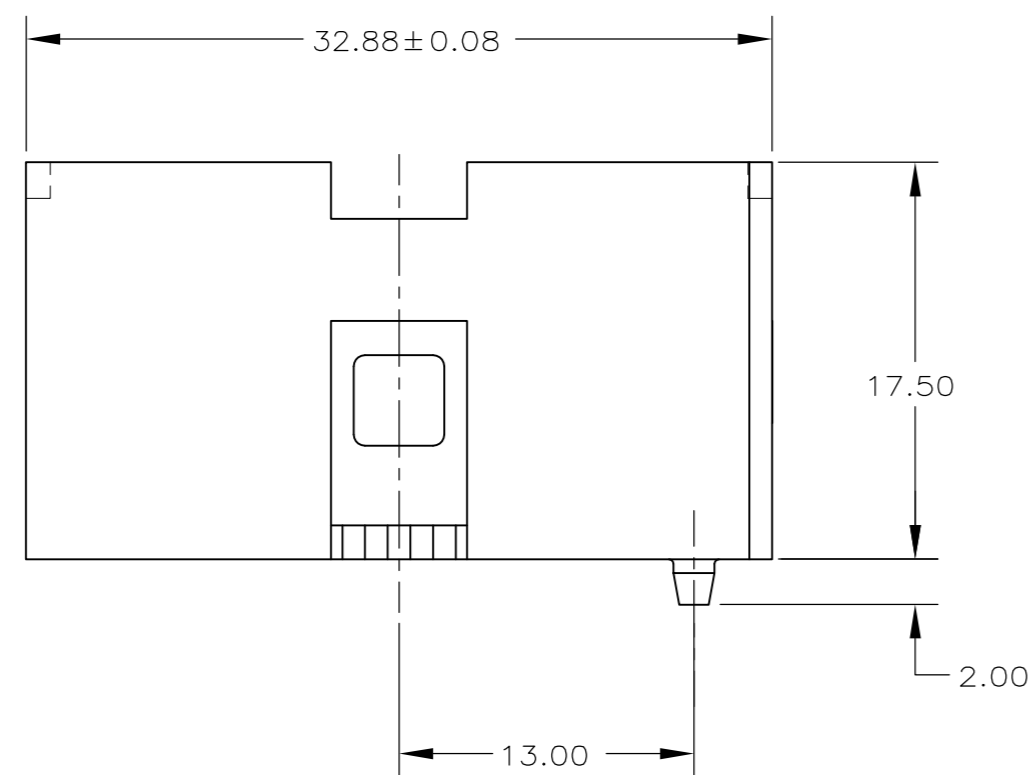


THIS DRAWING IS UNPUBLISHED. RELEASED FOR PUBLICATION  
 © COPYRIGHT 19 BY TYCO ELECTRONICS CORPORATION. ALL RIGHTS RESERVED.

LOC	DIST	REVISIONS			
P	LTR	DESCRIPTION	DATE	DWN	APVD
AD	00				
	0	RELEASED PER EC OS12-0536-04	20DEC04	BM	GS
	A	ECR-10-019054	15SEP10	DP	MQW



- 1 SHROUD: POLYESTER, NATURAL.  
METAL INSERTS: STAINLESS STEEL.
- 2 RECOMENDED INSERTION TOOL P/N 91330-1,  
I.S. SHEET 408-4578.



1645282-1  
PART NUMBER

THIS DRAWING IS A CONTROLLED DOCUMENT.		DWN B. MCMASTER 09NOV04	Tyco Electronics Corporation Harrisburg, Pa 17105-3608	
DIMENSIONS: mm		CHK G. SKIPPER 09NOV04	NAME SHROUD ASSEMBLY, IN, 70 POSITION, 5 ROW, Z-PACK, 2mm HM MLCC	
TOLERANCES UNLESS OTHERWISE SPECIFIED: 6-PLC ± 1-PLC ± 2-PLC ± 0.13 ±0.2 3-PLC ± 4-PLC ± ANGLES ±		APVD G. SKIPPER 09NOV04	SIZE A2	
MATERIAL 1		FINISH -	CAGE CODE 00779	DRAWING NO C=1645282
CUSTOMER DRAWING		WEIGHT -	SCALE 3:1	SHEET 1 OF 1 REV A