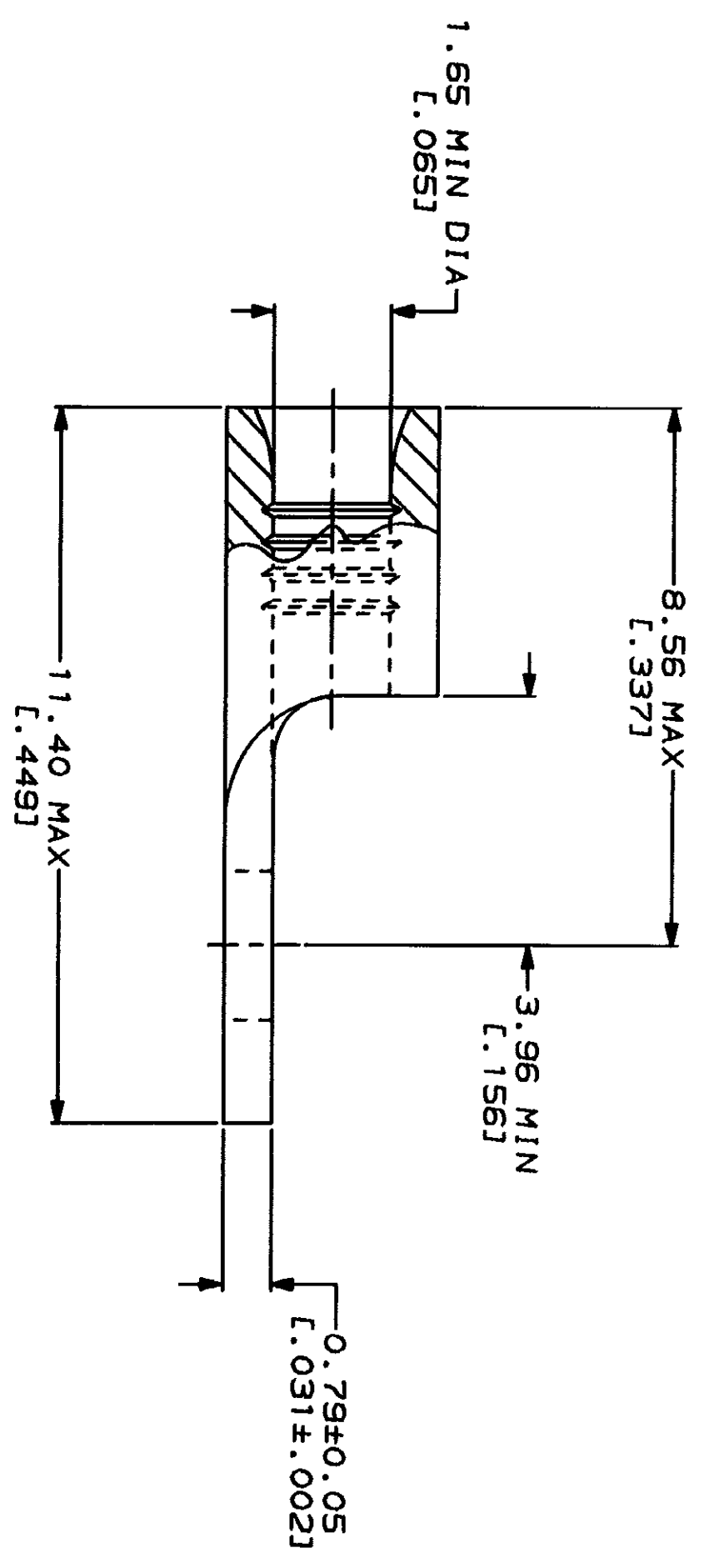
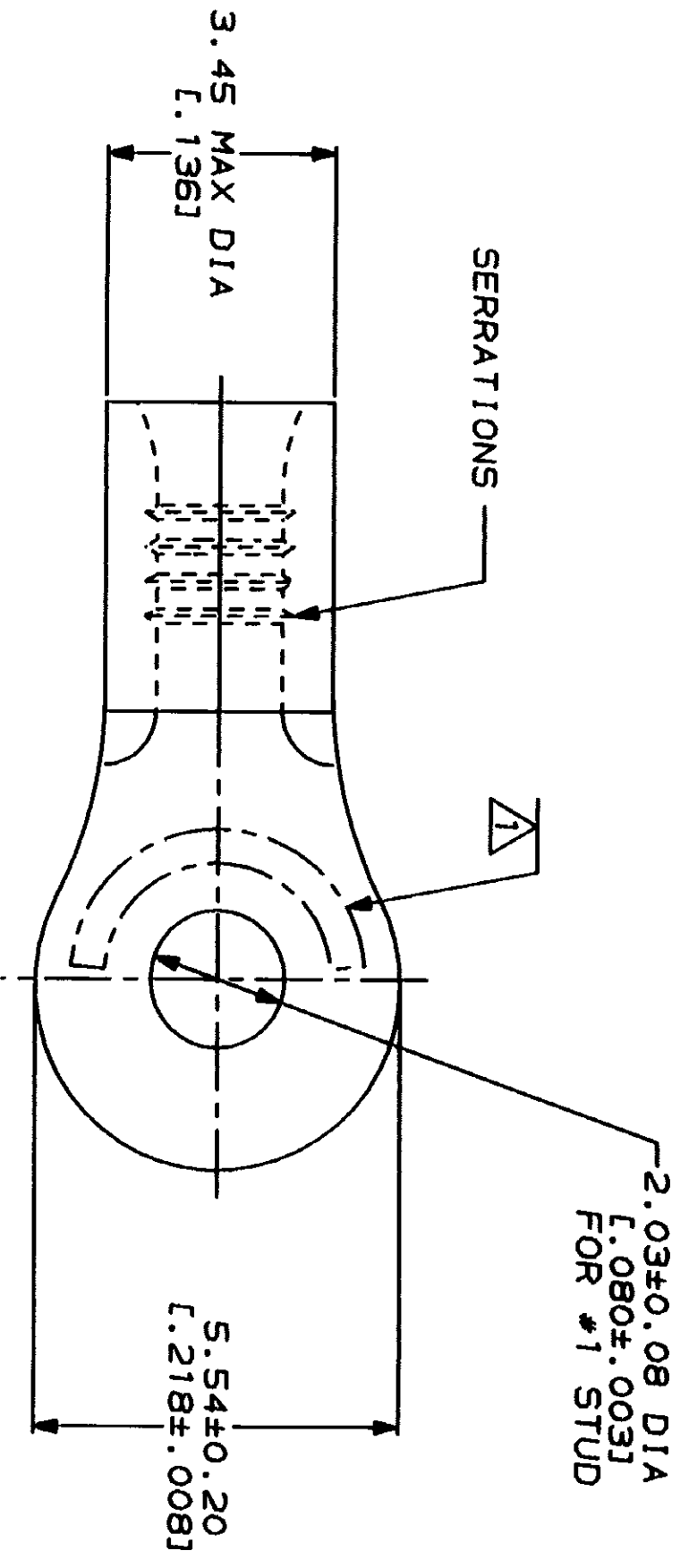


LOC	QTY	REV	ZONE	LTR	DESCRIPTION	DATE	APPD
G	14				REVISED PER 0720-0230-93	2/25/94	AMP

METRIC
DIMENSIONS LISTED IN mm [INCHES]

AMP WIRE RANGE 22-16 AWG STRANDED	UL E13288 Listed
AMP WIRE RANGE 22-16 AWG STRANDED	MILITARY P/N AND CLASS NOT APPLICABLE

△ STAMP AMP 22-18* APPROX AS SHOWN
22-16 TERMINALS ARE STAMPED 22-18 IN
ACCORDANCE WITH MILITARY SPECIFICATION
MIL-T-7928, COMMERCIAL WIRE RANGE IS 22-16



AMP INCORPORATED
CUSTOMER SERVICE SYSTEMS

FOR ADDITIONAL PRODUCT INFORMATION OR COPIES OF DRAWINGS AND TECHNICAL DOCUMENTS
PRODUCT INFORMATION CENTER
1-800-522-6752

FOR APPLICATION TOOLING INFORMATION
TOOLING ASSISTANCE CENTER
1-800-722-1111

FOR ORDER ENTRY
1-800-526-5142

MAX RECOMMENDED OPERATING TEMPERATURE: 170°C MAX
VOLTAGE RATING: NOT APPLICABLE
WIRE CROSS SECTIONAL AREA RANGE: 0.26-1.65mm² [509-3,260] CIR MILS STRANDED

DO NOT SCALE PRINT. DIMENSIONS SPECIFIED UNLESS OTHERWISE INDICATED. DIMENSIONS IN MILLIMETERS. TOLERANCES ON DIMENSIONS: 2 PLC DEC # - - 3 PLC DEC # - - ANGLES - -

FINISH: TIN PLATE
0.00254[L.000100] MIN THK PER MIL-T-10727

DR 1-27-93 TA BRINKMAN
CHK 1-27-93 DA PATTERSON
APPD 1-27-93 DE MILLER
APPD 1-27-93 JL HECKLEY
PRODUCT SPEC

AMP
AMP Incorporated
Harrisburg, PA 17105-3508

TERMINAL, RING TONGUE, BUDGET
NAME: 31087
PART NO: 31087

SIZE: 00779
CAGE CODE: 00779
DRAWING NO: 31087
SCALE: 10:1
SHEET: 1 OF 1