

Features

- Broad Bandwidth Specified 18 to 40 GHz
- Usable 10 GHz to 55 GHz
- Extremely Low Insertion Loss
- High RF-DC Isolation
- Rugged, Fully Monolithic Glass Encapsulation
- J1 & J2 Matched to 50 Ω
- RoHS* Compliant

Applications

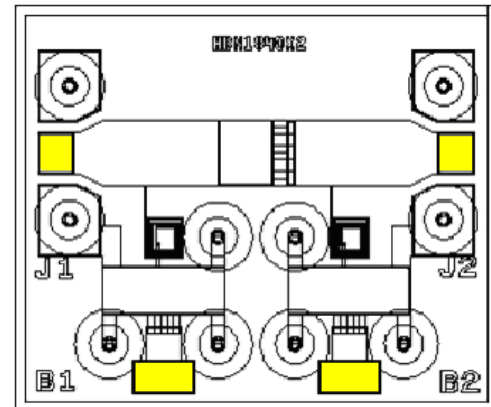
- Aerospace & Defense
- ISM

Description

The MA4BN1840-2 is a fully monolithic broadband bias network utilizing MACOM's HMIC™ (Heterolithic Microwave Integrated Circuit) process, US Patent 5,268,310. This process allows the formation of silicon vias by imbedding them in low loss, low dispersion glass along with high Q spiral inductors and MIM capacitors. The close proximity between elements and the combination of silicon and glass gives this HMIC device low loss and high performance with exceptional repeatability through millimeter frequencies.

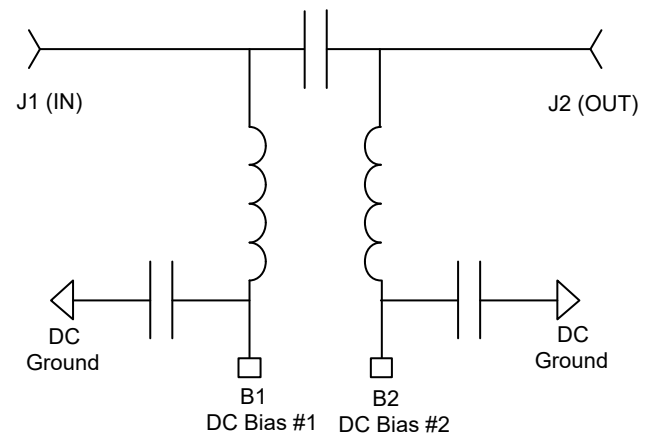
Large bond pads facilitate the use of low inductance ribbon bonds, while the gold backside metallization provides the RF and DC ground. This allows for manual or automatic glass die attach with electrically conductive silver epoxy or RoHS compliant solders.

The MA4BN1840-2 bias network is ideally suited for the DC biasing of PIN diode control circuits. It functions as an RF-DC de-coupling network as well as the DC return. The device can also be used as a bi-directional re-active coupler for Schottky detector circuits. DC currents up to 150 mA and DC voltages up to 50 V may be used.



Yellow areas denote bond pads

Schematic



* Restrictions on Hazardous Substances, European Union Directive 2011/65/EU.

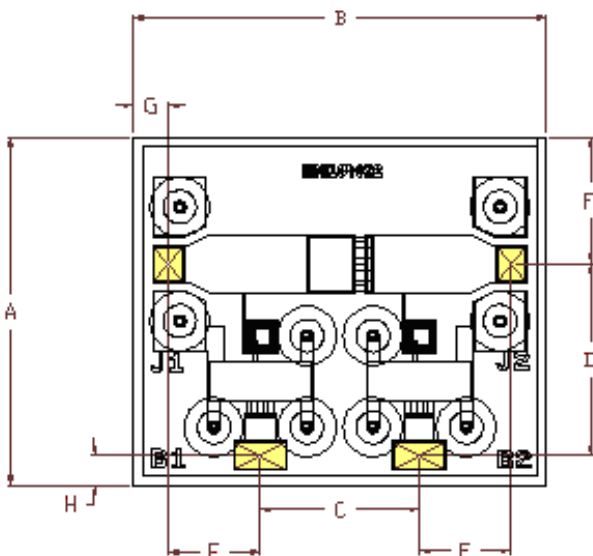
Electrical Specifications: Freq. = 18 - 40 GHz, T_A = +25°C on Wafer Measurements

Parameter	Min.	Typ.	Max.	Units
Insertion Loss	—	0.15	0.2	dB
RF - DC Isolation	30	35	—	dB
Input Return Loss	15	17	—	dB
Output Return Loss	15	17	—	dB

Maximum Operating Conditions @ +25°C (Unless otherwise noted)

Parameter	Value
RF CW Incident Power	10 Watts
DC Bias Current	+/- 150 mA
DC Bias Voltage	+/- 50 V
Operating Temperature	-65°C to +125°C
Storage Temperature	-65°C to +150°C
Die Attach Temperature	320°C for 20 sec

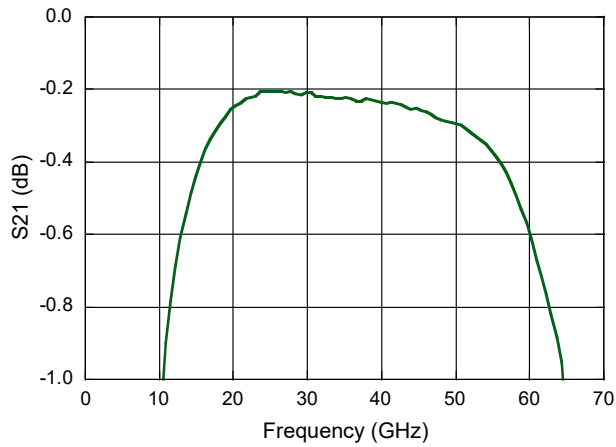
DIE DIMENSIONS



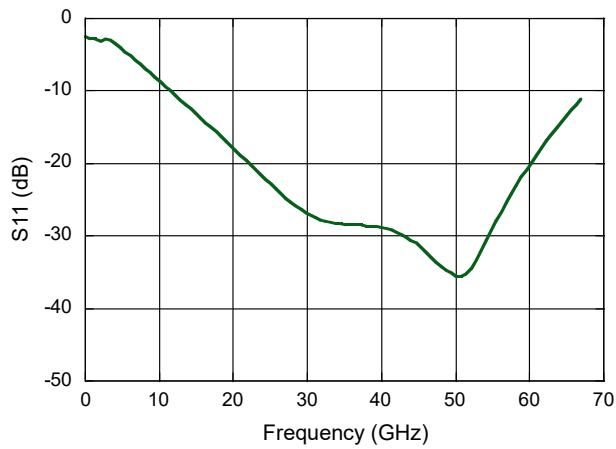
Dim.	Millimeters			Mils		
	Min.	Nom.	Max.	Min.	Nom.	Max.
A	1.425	-	1.475	56.1	-	58.1
B	1.705	-	1.755	67.1	-	69.1
C	-	0.679	-	-	26.7	-
D	-	0.813	-	-	32.0	-
E	-	0.392	-	-	15.4	-
F	0.499	-	0.549	19.6	-	21.6
G	0.109	-	0.159	4.3	-	6.2
H	0.088	-	0.138	3.5	-	5.4
RF Bond Pads J1 & J2	-	0.130	-	-	5.1	-
	-	0.152	-	-	6.0	-
DC Bond Pads B1 & B2	-	0.221	-	-	8.7	-
	-	0.122	-	-	4.8	-
Chip Thickness	-	0.125	-	-	4.9	-

Typical Performance Curves @ T_A = +25°C

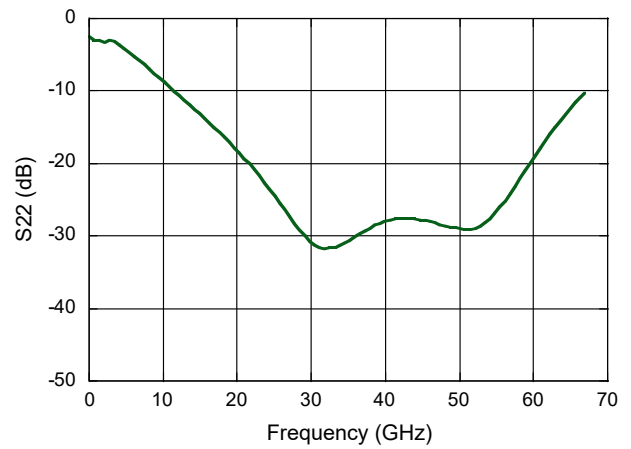
Insertion Loss (J1 - J2)



Input Return Loss (J1 - J2)



Output Return Loss (J2 - J1)



Assembly Considerations

Cleanliness

The chip should be handled in a clean environment.

Electro-Static Sensitivity

The MA4BN1840-2 bias network is ESD, Class 1B sensitive. The proper ESD handling procedures should be used.

Wire Bonding

Thermosonic wedge wire bonding using 0.003" x 0.00025" ribbon or ball bonding with 0.001" diameter gold wire is recommended. A stage temperature of 150°C and a force of 18 to 22 grams should be used. Ultrasonic energy should be adjusted to the minimum required. RF bonds should be as short as possible for best performance.

Mounting

These chips have Ti-Pt-Au topside and backside metal. They can be die mounted with either a gold-tin eutectic solder preform, RoHS compliant solders or electrically conductive silver epoxy. Mounting surface must be clean of organic contaminants and flat for best adhesion results.

Eutectic Die Attachment

An 80/20 gold-tin eutectic solder preform is recommended with a work surface temperature of 255°C and a tool tip temperature of 265°C. When hot gas is applied, the tool tip temperature should be 290°C. The chip should not be exposed to temperatures >320°C for more than 20 seconds. No more than 3 seconds should be required for attachment.

Epoxy Die Attachment

Assembly should be preheated to 125 - 150°C. A minimum amount of electrically conductive epoxy should be used, approximately 1 to 2 mils thickness for best electrical and thermal conductivity. A thin epoxy fillet should be visible around the perimeter of the chip after placement. Cure epoxy per manufacturer's time-temperature schedule. Typically 150°C for 1 hour.

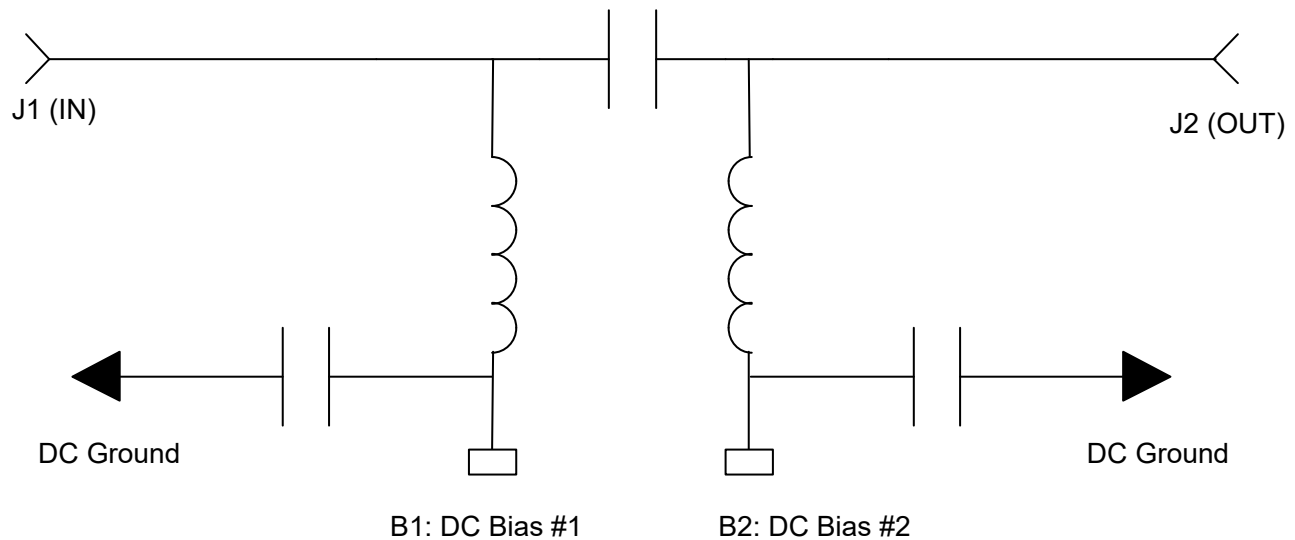
RoHS Soldering

See application note [M538](#) on the MACOM website for the recommended heating profile.

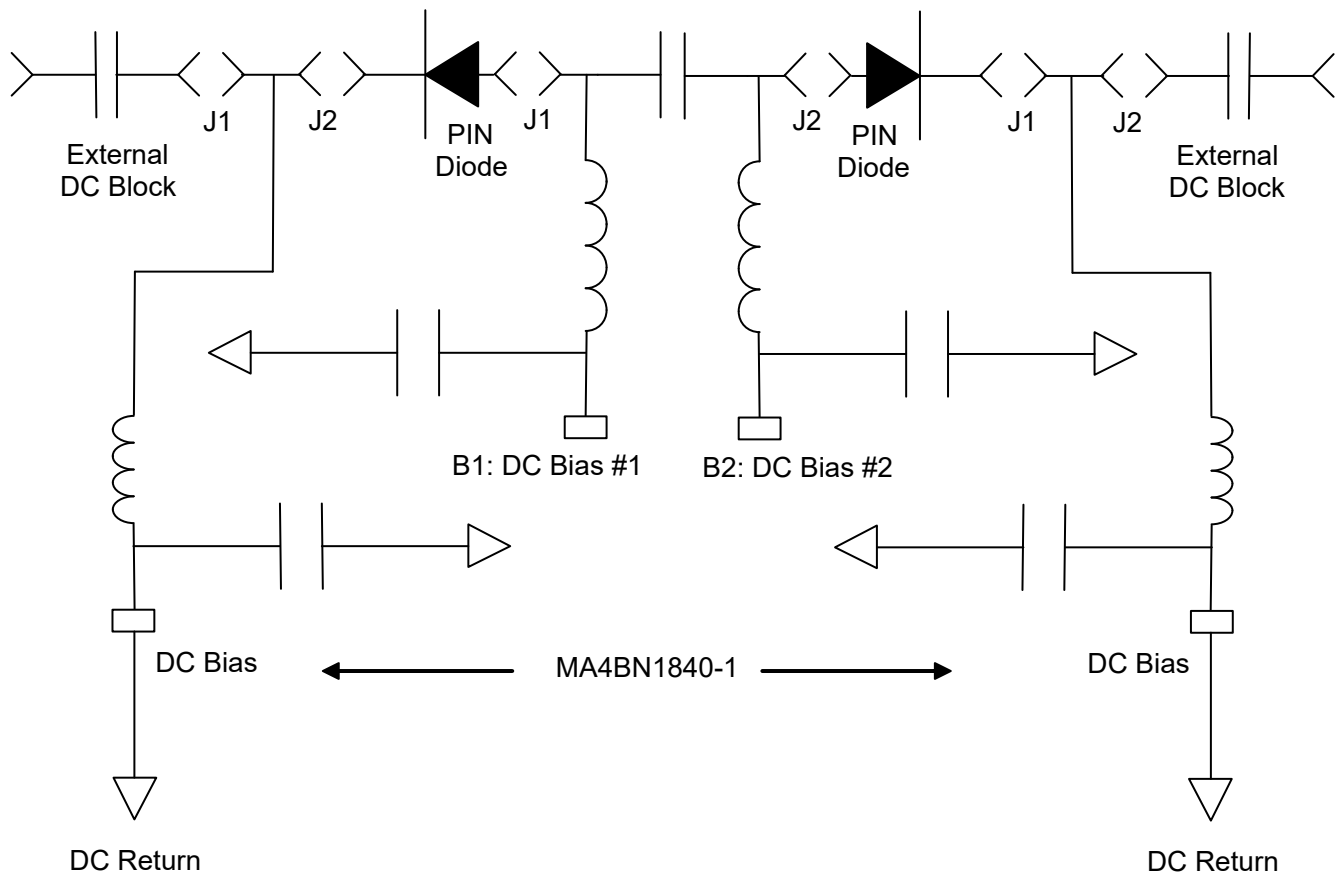
Operation of the MA4BN1840-2

Broadband operation of the MA4BN1840-2 bias network is accomplished by applying DC bias to the “B1” and “B2” DC bias ports on the die. The outputs, J1 and/or J2 provide the DC bias to the corresponding, connected, microwave device(s). The MA4BN1840-2 can be utilized to DC bias (2) devices simultaneously in conjunction with the MA4BN1840-1 which can be used as the DC bias return. The small DC resistance (<1 Ω) of the DC bias port allows up to +/-150 mA @ +/-50 V to be delivered while still maintaining >35 dB RF to DC isolation.

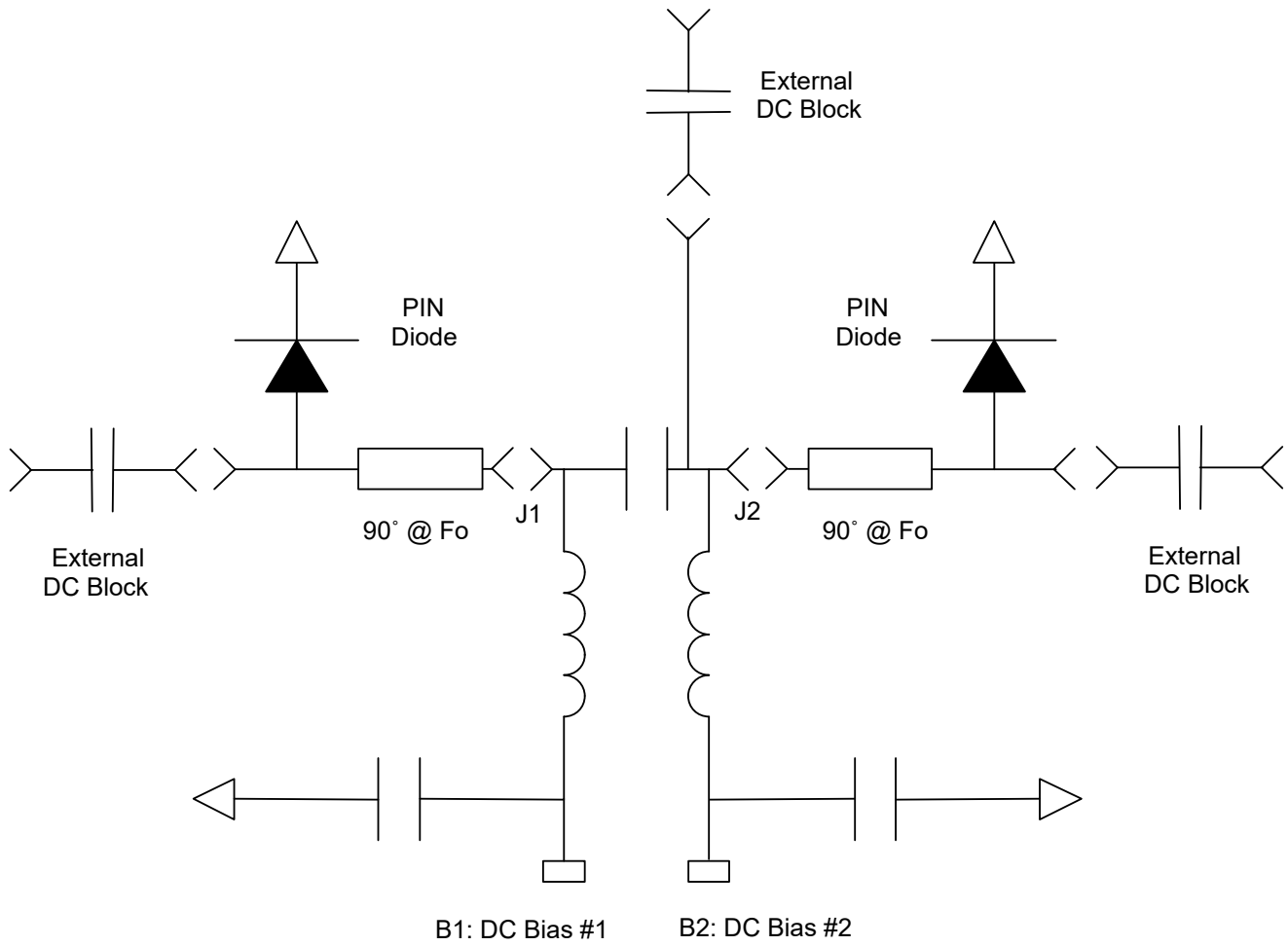
MA4BN1840-2 Schematic



Biasing using the MA4BN1840-2 and the MA4BN1840-1 as the DC Return



Bias Circuit for Shunt Switch



MACOM Technology Solutions Inc. ("MACOM"). All rights reserved.

These materials are provided in connection with MACOM's products as a service to its customers and may be used for informational purposes only. Except as provided in its Terms and Conditions of Sale or any separate agreement, MACOM assumes no liability or responsibility whatsoever, including for (i) errors or omissions in these materials; (ii) failure to update these materials; or (iii) conflicts or incompatibilities arising from future changes to specifications and product descriptions, which MACOM may make at any time, without notice. These materials grant no license, express or implied, to any intellectual property rights.

THESE MATERIALS ARE PROVIDED "AS IS" WITH NO WARRANTY OR LIABILITY, EXPRESS OR IMPLIED, RELATING TO SALE AND/OR USE OF MACOM PRODUCTS INCLUDING FITNESS FOR A PARTICULAR PURPOSE, MERCHANTABILITY, INFRINGEMENT OF INTELLECTUAL PROPERTY RIGHT, ACCURACY OR COMPLETENESS, OR SPECIAL, INDIRECT, INCIDENTAL, OR CONSEQUENTIAL DAMAGES WHICH MAY RESULT FROM USE OF THESE MATERIALS.

MACOM products are not intended for use in medical, lifesaving or life sustaining applications. MACOM customers using or selling MACOM products for use in such applications do so at their own risk and agree to fully indemnify MACOM for any damages resulting from such improper use or sale.