

THIS DRAWING IS UNPUBLISHED.

RELEASED FOR PUBLICATION

ALL RIGHTS RESERVED.

© COPYRIGHT

LOC HB

DIST

REVISIONS

P	LTR	DESCRIPTION	DATE	DWN	APVD
	B2	REVISED PER ECO-11-005140	29MAR11	RK	HMR

D

C

B

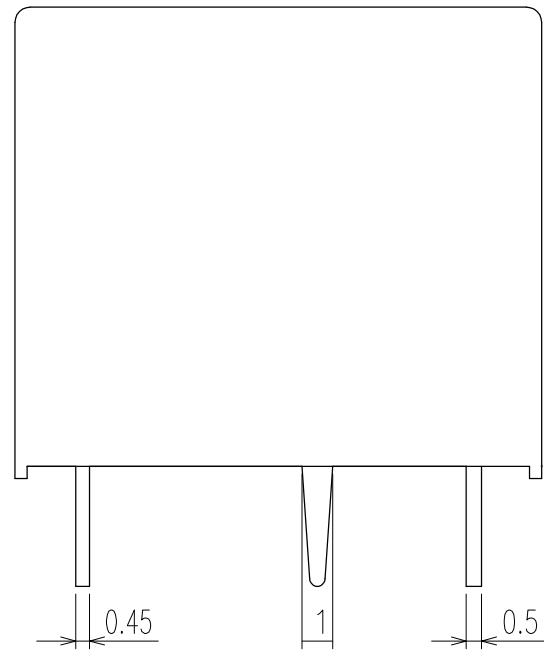
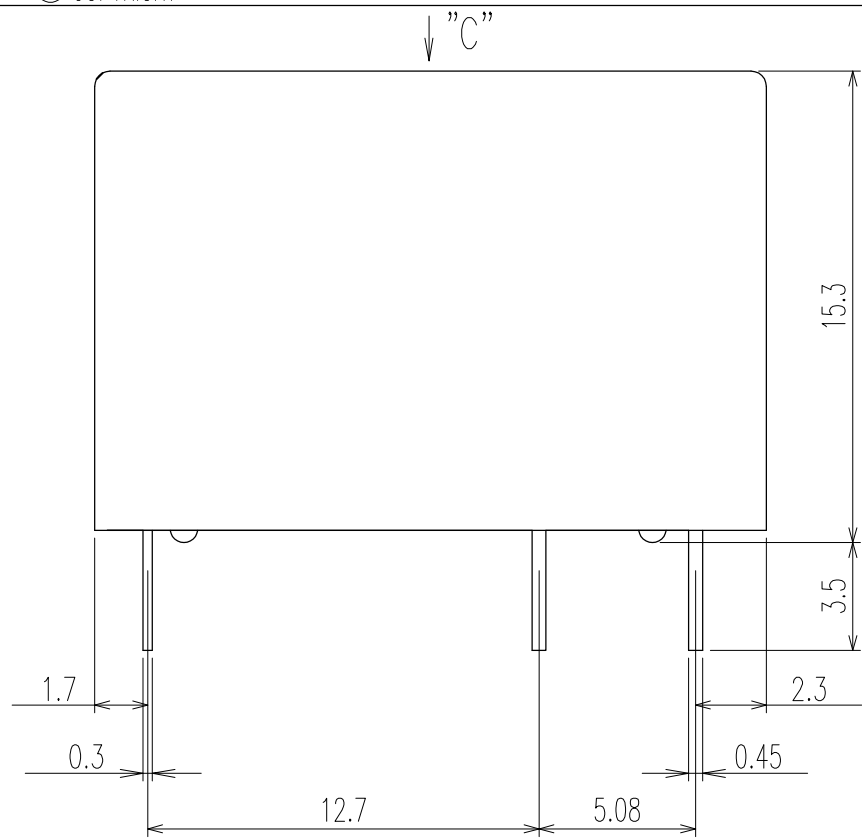
A

D

C

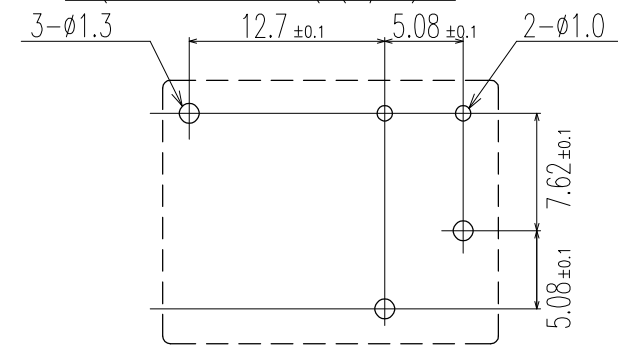
B

A

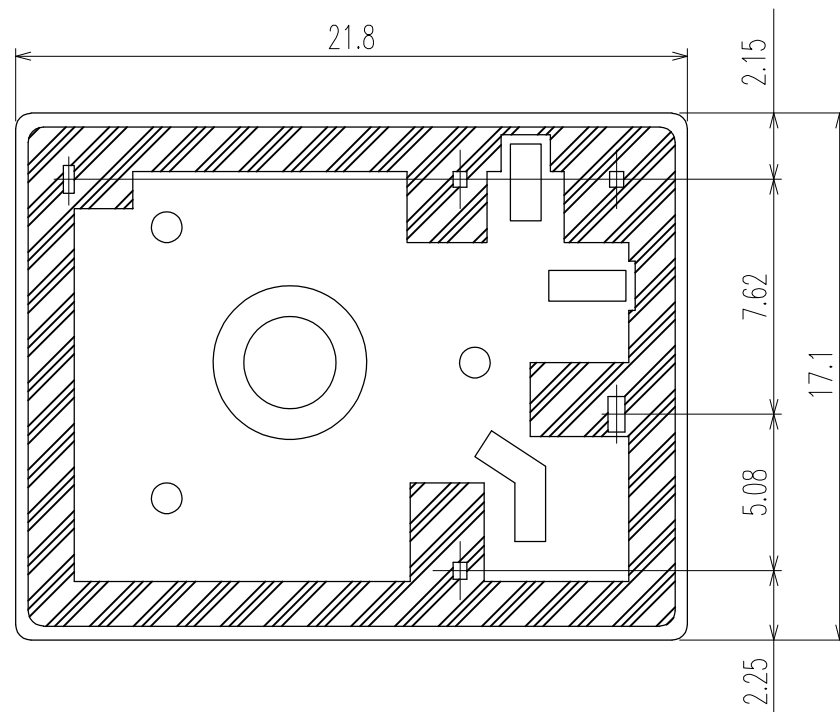
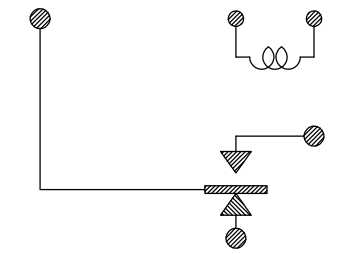


DRILLING DIAGRAM

(BOTTOM VIEW (2/1))

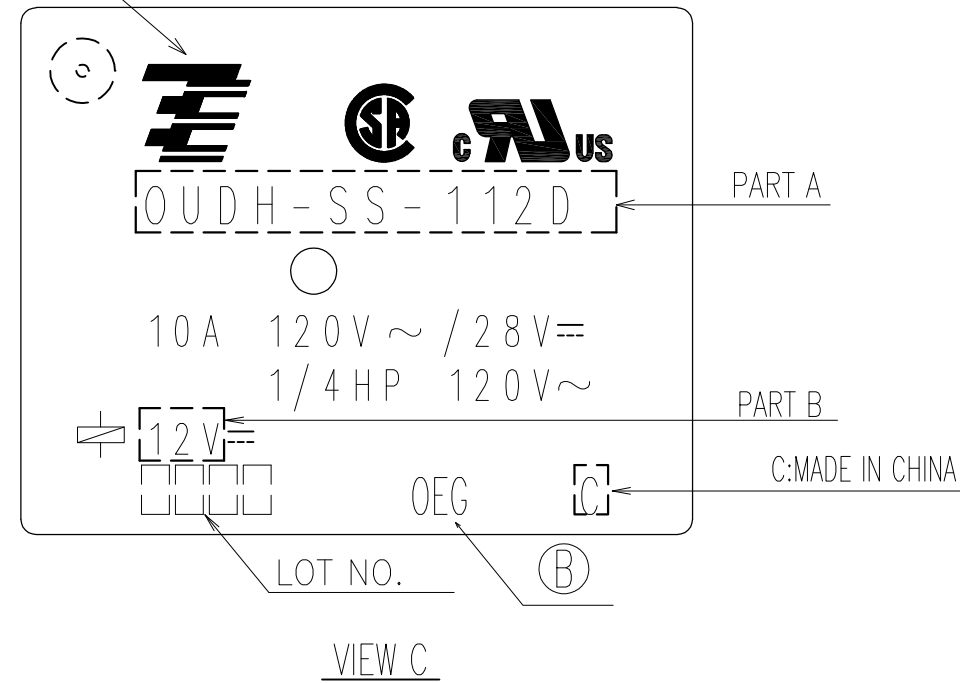


CONNECTION DIAGRAM(BOTTOM VIEW)



(B)

(A)



VIEW C

GENERAL TOLERANCE

DIMENSION	TOLERANCE
Max. 1mm	±0.1
1mm~Max. 3mm	±0.2
Min. 3mm	±0.3

DWN H.SASAKI		STE TE Connectivity	
CHK N.FUNAYAMA			
APVD A.NAGAI		NAME	
PRODUCT SPEC -		OUDH-D SPEC,000 CUSTOMER DRAWING	
APPLICATION SPEC -		SIZE A3	CAGE CODE 00779
WEIGHT -		DRAWING NO. 3-1440007-0	RESTRICTED TO -
MATERIAL -		SCALE 4:1	SHEET 1 OF 2
FINISH -		REV B2	

4 | 3 |
 THIS DRAWING IS UNPUBLISHED. | RELEASED FOR PUBLICATION
 © COPYRIGHT | ALL RIGHTS RESERVED.

2		1						
LOC	DIST	REVISIONS						
HB		P	LTR	DESCRIPTION	ECN	DATE	DWN	APVD

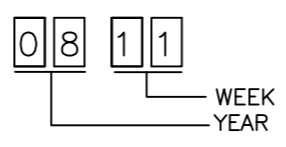
ⓑ	1461249-1	0UDH-SH-148D ,000	48V	0UDH-SH-148D	j
ⓑ	7-1419129-4	0UDH-SH-124D ,000	24V	0UDH-SH-124D	i
ⓑ	7-1419129-2	0UDH-SH-112D ,000	12V	0UDH-SH-112D	h
	7-1419145-4	0UDH-SH-106D ,000	6V	0UDH-SH-106D	g
	7-1419145-3	0UDH-SH-105D ,000	5V	0UDH-SH-105D	f
	8-1419129-5	0UDH-SS-124D ,000	24V	0UDH-SS-124D	e
	8-1419129-0	0UDH-SS-112D ,000	12V	0UDH-SS-112D	d
	7-1419129-6	0UDH-SS-109D ,000	9V	0UDH-SS-109D	c
	7-1419129-5	0UDH-SS-106D ,000	6V	0UDH-SS-106D	b
	3-1440007-0	0UDH-SS-105D ,000	5V	0UDH-SS-105D	a
	PART NO.	DESCRIPTION	PART B	PART A	ITEM

RELAY TYPE

NOTES

- 1.-SS-:PLASTIC SEALD TYPE
- SH-:WASHABLE TYPE

Ⓐ 2.LOT NO. SYSTEM AS FOLLOWING:



DIMENSIONS: mm		TOLERANCES UNLESS OTHERWISE SPECIFIED:		DWN		TE Connectivity	
		0 PLC ±		CHK		NAME	
		1 PLC ±		APVD		0UDH-D SPEC,000 CUSTOMER DRAWING	
MATERIAL		FINISH		PRODUCT SPEC		SIZE	
				APPLICATION SPEC		CAGE CODE	
				WEIGHT		DRAWING NO	
				CUSTOMER DRAWING		RESTRICTED TO	
						SCALE 4:1 SHEET 2 OF 2 REV B2	