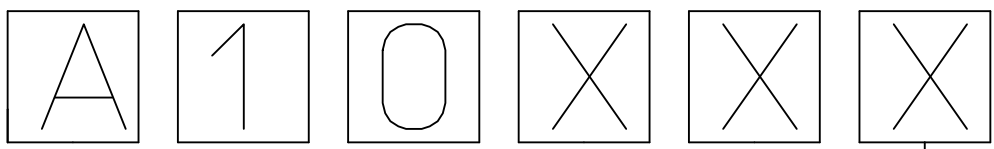


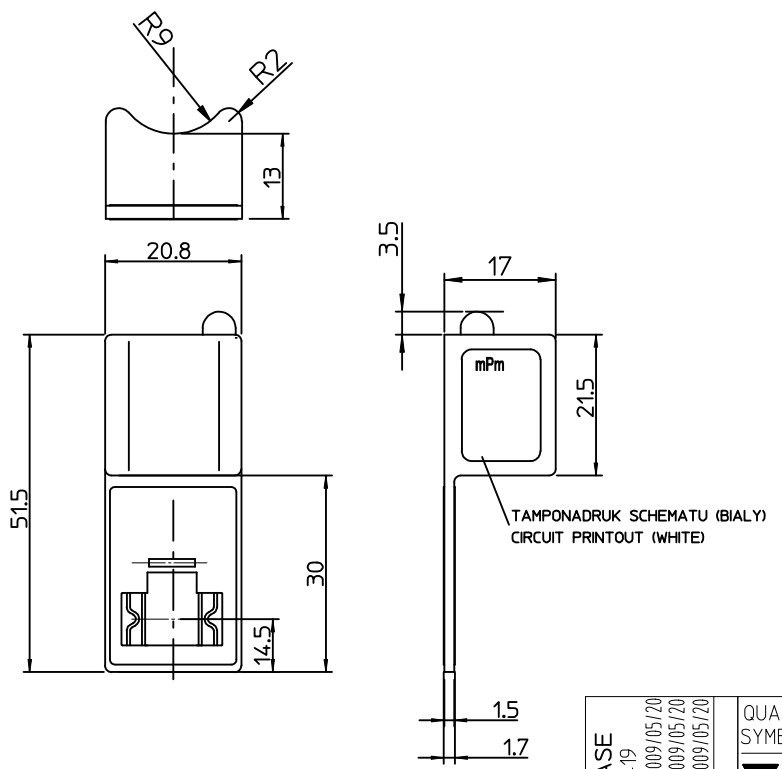
10 9 8 7 6 5 4 3 2 1



RODZAJ POLACZENIA/INTERNAL CIRCUIT
 PATRZ SCHEMATY POLACZEN/WIREING CONFIGURATION
 NAPIECIE ORAZ KOLOR DIODY/VOLTAGE AND LED COLOUR:

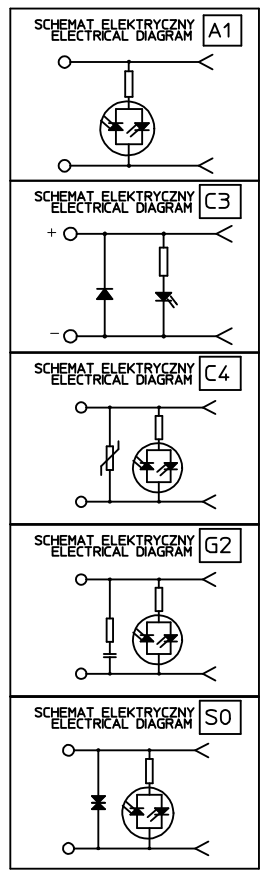
1= 12V	A= 12V	G= 12V
2= 24V	B= 24V	H= 24V
3= 48V	C= 48V	K= 48V
4= 115V	D= 115V	L= 115V
5= 230V	E= 230V	M= 230V

CZERWONA DIODA RED LED ZIELONA DIODA GREEN LED ZOLTA DIODA YELLOW LED



MOLEX PN	MPM PN
1210010353	A10C4H

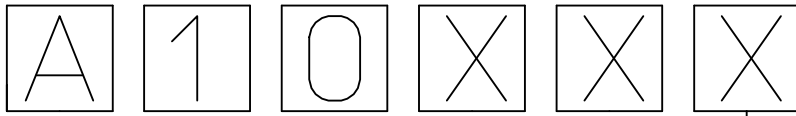
SCHEMATY POLACZEN
 /WIREING CONFIGURATION



ORIGINAL RELEASE EC NO: WEU2009-0479 DRWN: MWOLSZCZAK 2009/05/20 CHKD: MDABROWSKA 2009/05/20 APPR: GOGRODNIK 2009/05/20	QUALITY SYMBOLS	GENERAL TOLERANCES (UNLESS SPECIFIED)	DIMENSION STYLE	SCALE	DESIGN UNITS	FIRST ANGLE PROJECTION	
	DESCRIPTION	mm INCH	MM ONLY	---	METRIC		
	REV	4 PLACES ± --- ± ---	DRAWN BY DATE	TITLE			
		3 PLACES ± --- ± ---	CHECKED BY DATE	MPM A10 ADAPTORS			
		2 PLACES ± --- ± ---	APPROVED BY DATE	MOLEX INCORPORATED			
	1 PLACE ± --- ± ---	ANGULAR ± ---°	MATERIAL NO.	DOCUMENT NO.			SHEET NO.
		DRAFT WHERE APPLICABLE MUST REMAIN WITHIN DIMENSIONS	SEE DRAWING	A10XXX			1 OF 1
			SIZE A3	THIS DRAWING CONTAINS INFORMATION THAT IS PROPRIETARY TO MOLEX INCORPORATED AND SHOULD NOT BE USED WITHOUT WRITTEN PERMISSION			

9 8 7 6 5 4 3 2 1

A10 - ADAPTOR FOR DIN B



INTERNAL CIRCUIT

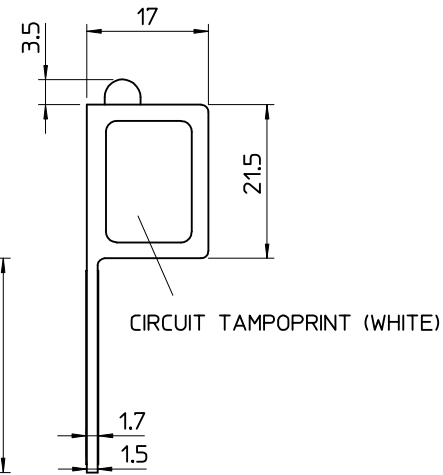
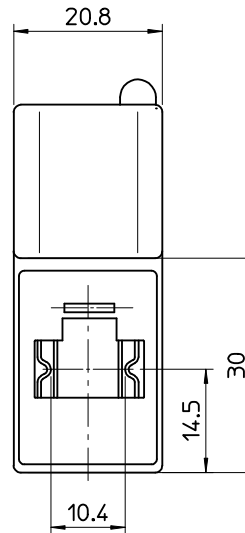
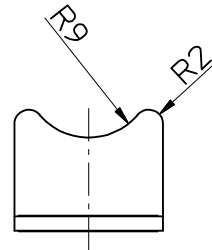
VOLTAGE AND LED COLOUR:

1= 12V	A= 12V	G= 12V
2= 24V	B= 24V	H= 24V
3= 48V	C= 48V	K= 48V
4= 115V	D= 115V	L= 115V
5= 230V	E= 230V	M= 230V

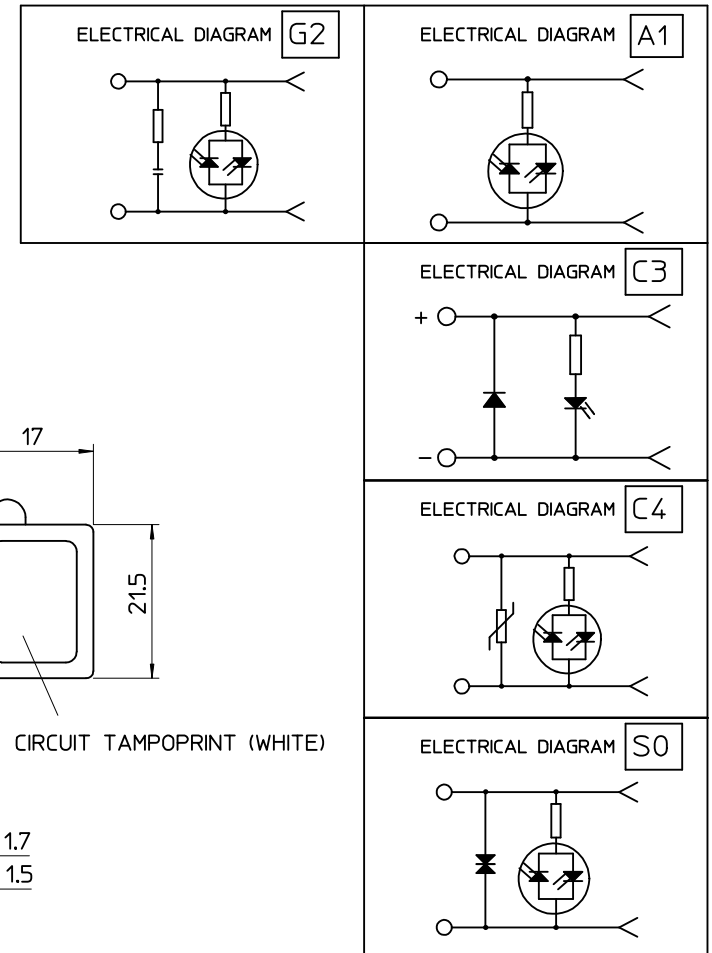
RED LED GREEN LED YELLOW LED

Chart 1

Engineering no.	SAP Part Number	Circuit type	LED Color
A10C4H	1210010353	C4 24V	Yellow
A10C4L	1210010442	C4 115V	Yellow
A10C4M	1210010443	C4 230V	Yellow



Wiring configuration



ORIGINAL RELEASE EC NO: IPG2013-1225 DRWN: JMARSZALEK 2013/02/11 CHKD: MSZWAJKOWSKI 2013/02/11 APPR: MIWASIECZKO 2013/02/12	QUALITY SYMBOLS ▽=0 ▽=0	GENERAL TOLERANCES (UNLESS SPECIFIED)		DIMENSION STYLE MM ONLY		SCALE -	DESIGN UNITS METRIC	FIRST ANGLE PROJECTION	
				DRAWN BY DATE JMARSZALEK 2013/02/11		TITLE LIGHTS ADAPTORS SERIES A10XXX FOR DIN B			
				CHECKED BY DATE MSZWAJKOWSKI 2013/02/11		molex DOCUMENT NO. SD-121001-010 SHEET NO. 1 OF 1			
				APPROVED BY DATE MIWASIECZKO 2013/02/12					
		ANGULAR ±---°		MATERIAL NO.					
		DRAFT WHERE APPLICABLE MUST REMAIN WITHIN DIMENSIONS		SEE CHART 1					
				SIZE A4					
				THIS DRAWING CONTAINS INFORMATION THAT IS PROPRIETARY TO MOLEX INCORPORATED AND SHOULD NOT BE USED WITHOUT WRITTEN PERMISSION					