

Spec Sheet

ITEM	MOTION PIR BOARD
MODEL	FF-DigiPyro1598
REV	Rev. 01
DATE	2019.09.13

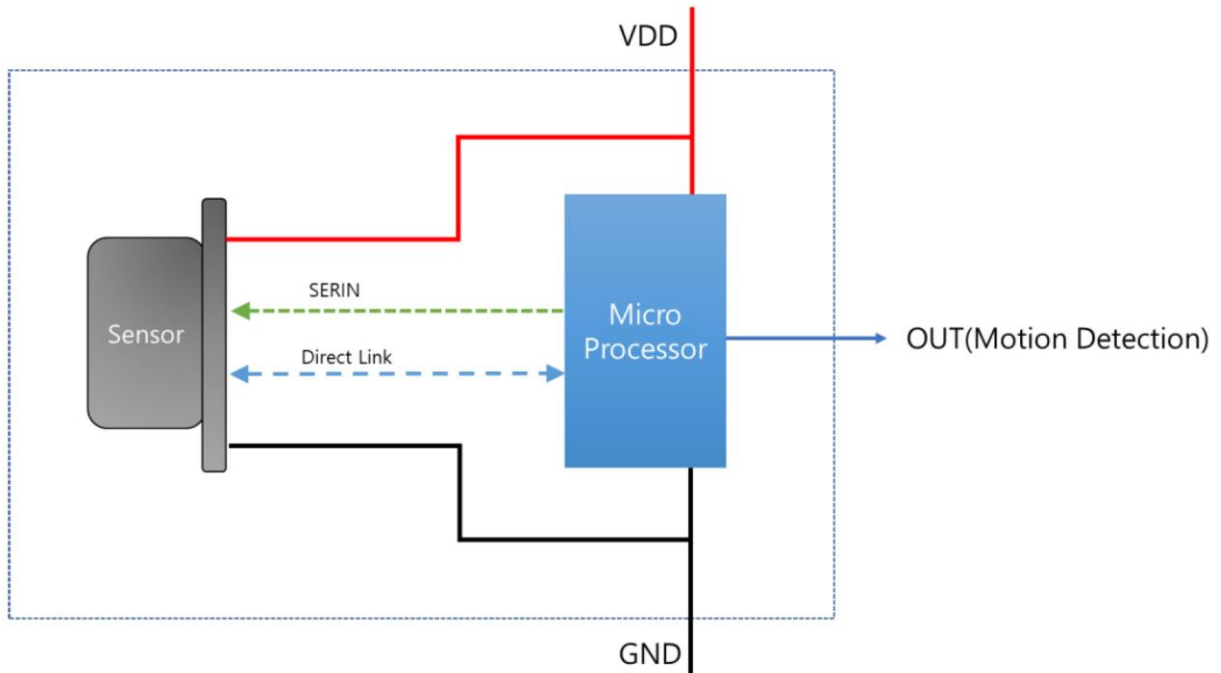
- contact

Ashton Myung KIM (김명중)

Ashton@fresnelfactory.com

+82 10 5248 4630 / +82 70 7605 1652

1. Block Diagram (FF-DigiPyro1598)



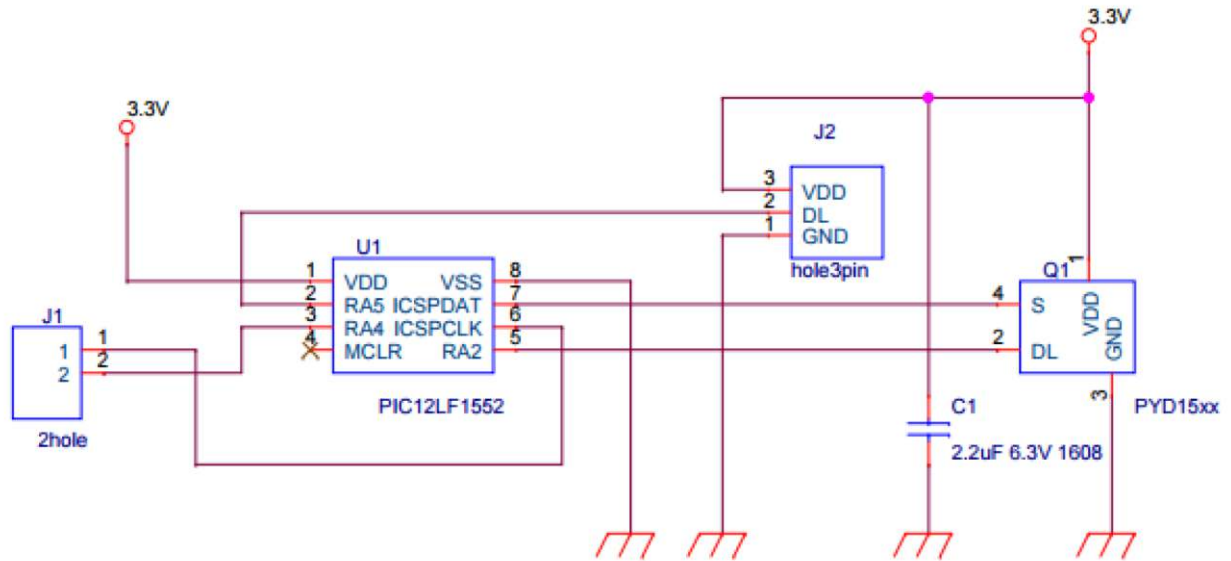
2. Product Overview

The module is a motion sensor that is using PYD1598, Excelitas to detect the temperature difference between the environment and humans or animals. The module has its own motion-detecting algorithm and easily changes the setting by configuration that is called SERIN. Also, the FF-DigiPyro1598 can build an additional algorithm for more detailed and complex motion detection by signals from Direct Link.

3. Electrical Specification

Parameter	Symbol	Min	Typ	Max	Remarks
Operating Voltage(V)	V_{DD}	1.8	3	3.6	
Supply Current(uA)	I_{DD}		3		$V_{DD} = 1.8V$, no load
Output Signal(V)	OUT		3		$V_{DD} = 3V$
Operating Temperature($^{\circ}C$)		-20		75	
Storage Temperature($^{\circ}C$)		-20		85	

6. Circuit



7. Fresnel Lens Recommendation

PD09-12008 for various applications

PD08-10B and PF63-10 for people counter

For more choices, please visit FresnelFactory.com or Digikey.com

Application book Link

[https://www.fresnelfactory.com/fresnel_list/PIR_seriesFresnel_lens\(Ver.4\).pdf](https://www.fresnelfactory.com/fresnel_list/PIR_seriesFresnel_lens(Ver.4).pdf)