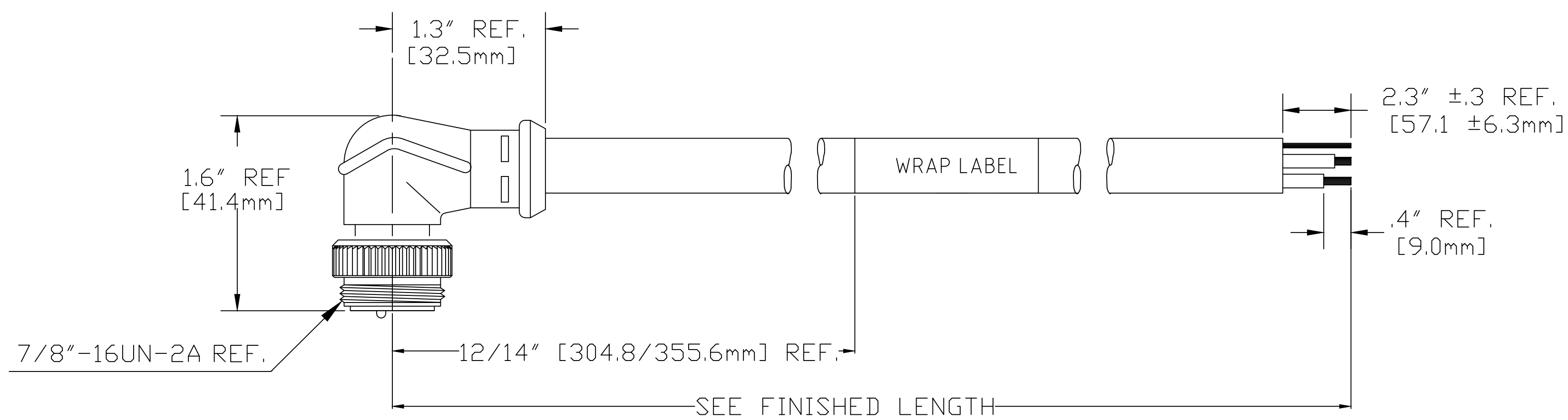


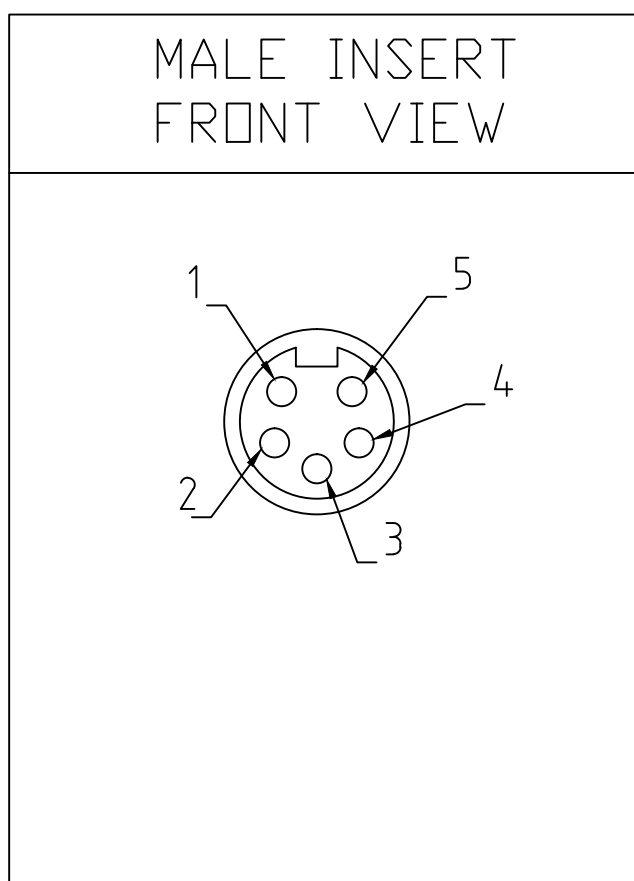
13	12	11	10	9	8	7	6	5	4	3	2	1
MATERIAL NUMBER		OLD PART NUMBER		FINISHED LENGTH								
1300240356		DNDF09A-M010		3.28' +3.50" -0 [1.0M +88.9mm -0]								



DNDF09A-M010

Cable type
DEVICENET
FLEX DROP

cable length
M010----1 Meter
M100----10 Meter



CONTACT:	GOLD/NICKEL OVER COPPER ALLOY
INSERT:	PVC, GRAY
COUPLING NUT:	ZINC DIE CAST, BLACK E-COATED
MOLDED BODY:	PVC, GRAY
VOLTAGE RATING:	300 VAC/VDC
AMPERAGE RATING:	4 AMPS
PROTECTION:	IP67
OPERATING TEMPERATURE:	-20°C TO 80°C
CERTIFICATIONS:	UL RECOGNIZED FILE NO. E152210 CSA CERTIFIED FILE NO. LR6837

1	DRAIN
2	RED
3	BLACK
4	WHITE
5	BLUE

WIRING DIAGRAM

INITIAL RELEASE EC NO: IPG2014-0457 DRWN: GGUSTAFS 2013/08/29 CH'KD: BARDEN APPR: BWOODMAN 2013/10/07	REV A	DESCRIPTION QUALITY SYMBOL ▽=0 ◁=0	GENERAL TOLERANCES (UNLESS SPECIFIED)		DIMENSION STYLE	SCALE	DESIGN UNITS	THIRD ANGLE PROJECTION			
				mm	INCH	IN/MM	NTS	INCH			
			4 PLACES	±---	±---	DRAWN BY	DATE	TITLE			
			3 PLACES	±---	±.005	EBRACKEN	2013/06/18	MINI-CHANGE DEVICENET 5 POLE 90D MALE 22/24 DROP CABLE GRY TPE			
2 PLACES	±0.13	±.010	CHECKED BY	DATE							
1 PLACE	±0.25	±.020	BARDEN	2013/09/12	MOLEX INCORPORATED						
ANGULAR ±.5°			APPROVED BY	DATE	MATERIAL NO.		DOCUMENT NO.		SHEET NO.		
DRAFT WHERE APPLICABLE MUST REMAIN WITHIN DIMENSIONS			BWOODMAN	2013/10/07	SEE CHART		SD-130024-021		1 OF 1		
			THIS DRAWING CONTAINS INFORMATION THAT IS PROPRIETARY TO MOLEX INCORPORATED AND SHOULD NOT BE USED WITHOUT WRITTEN PERMISSION								