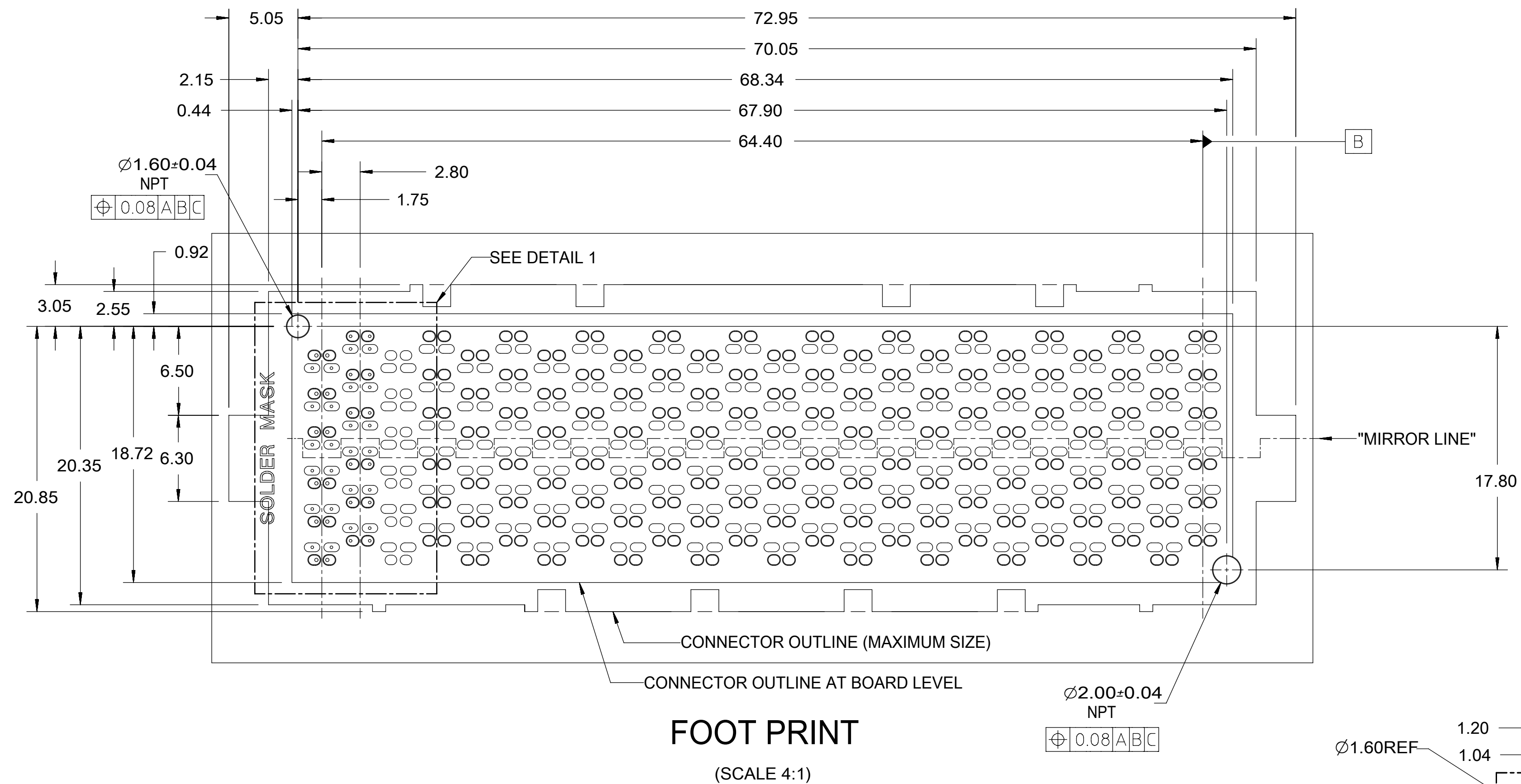
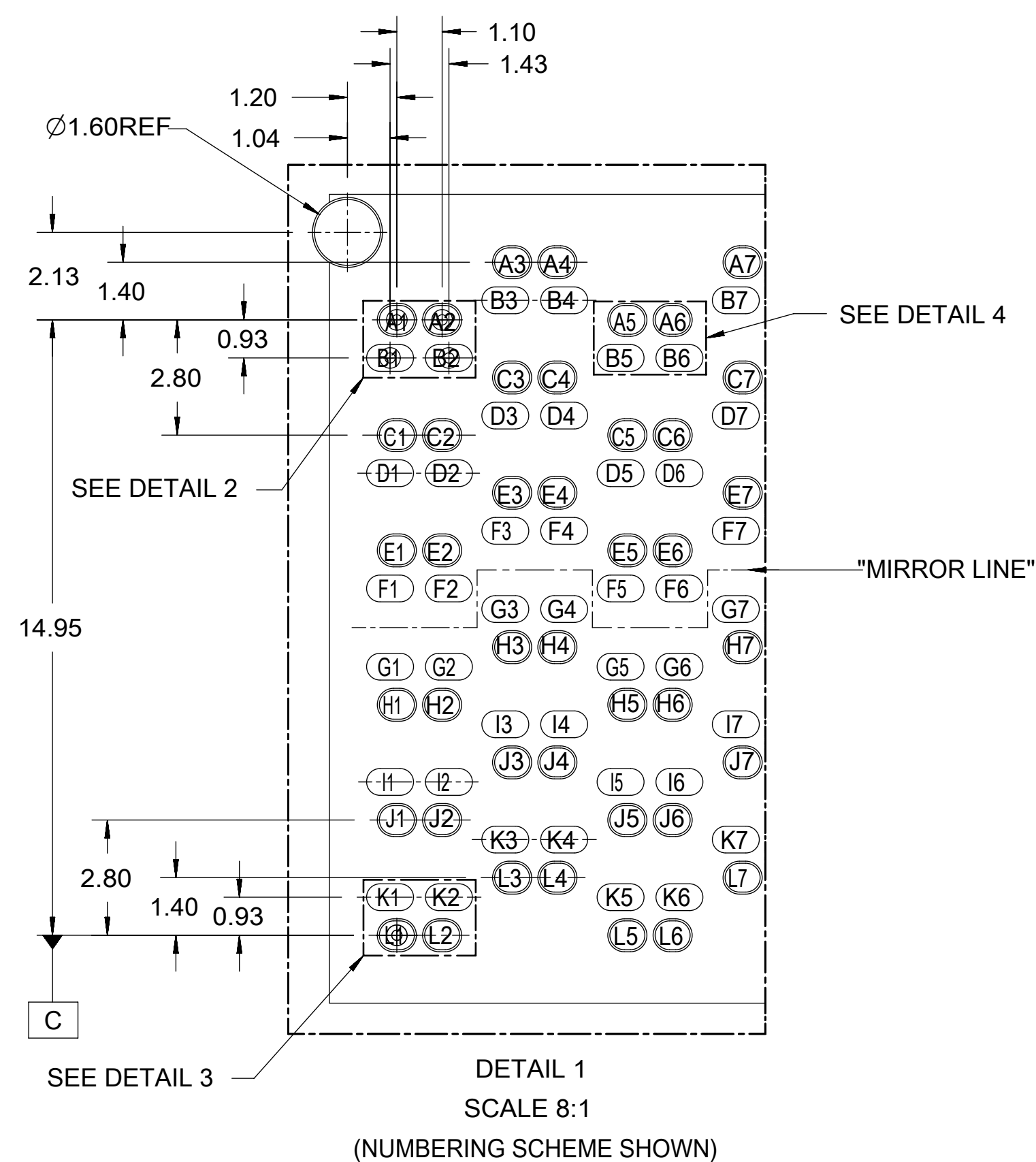
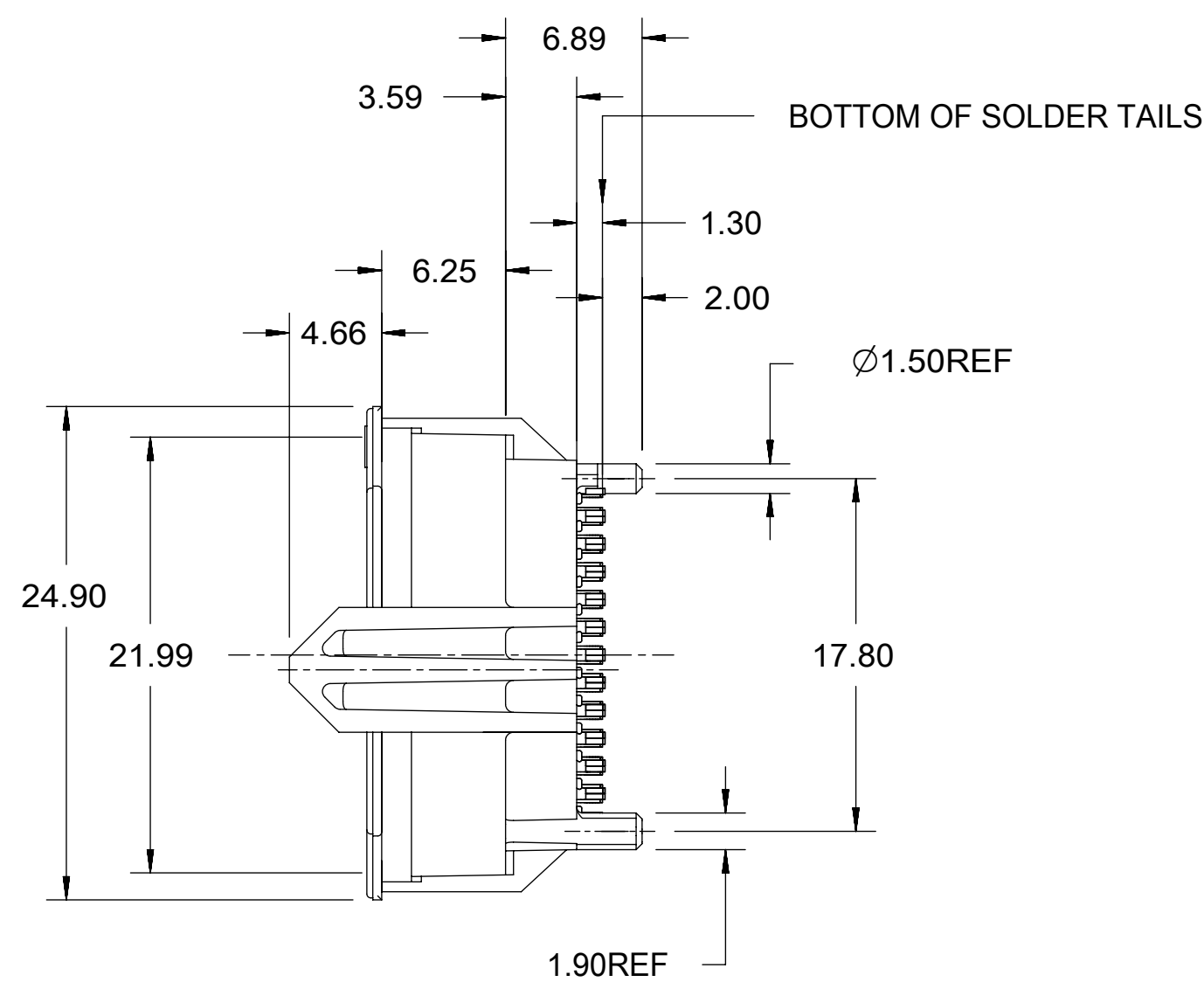
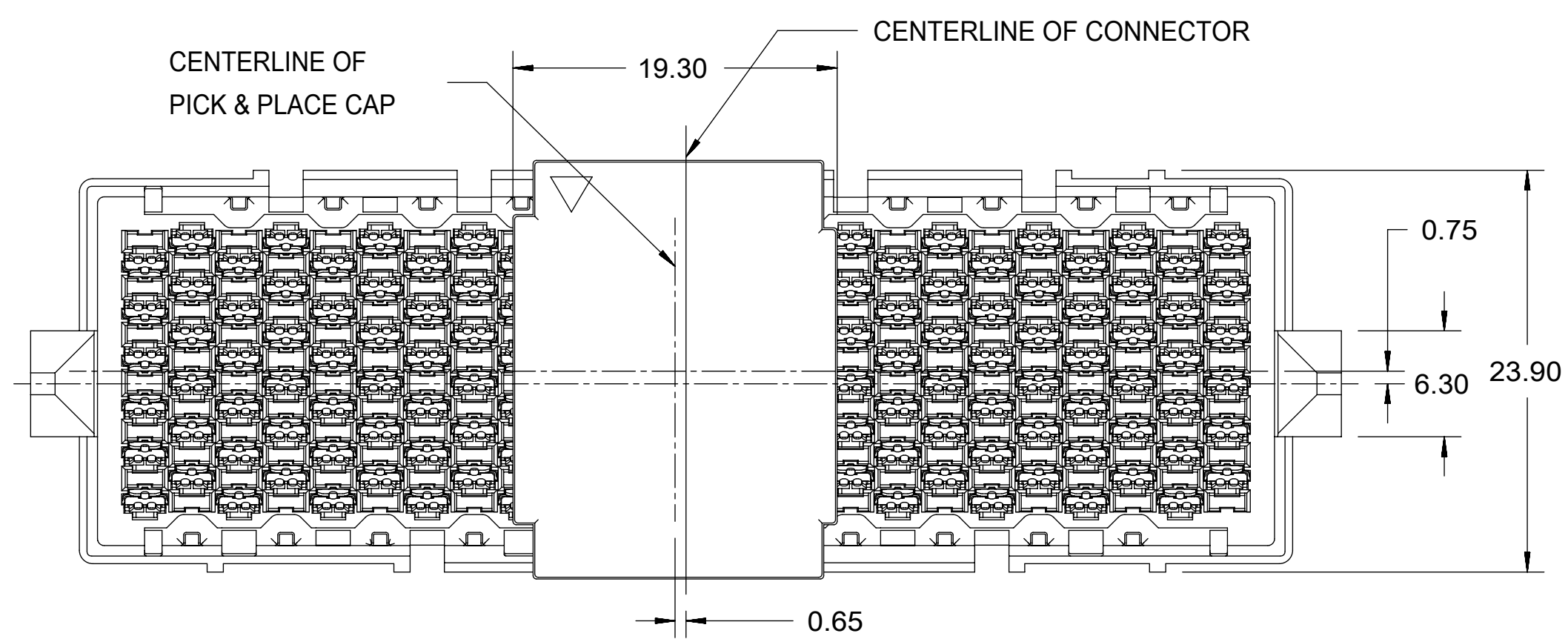
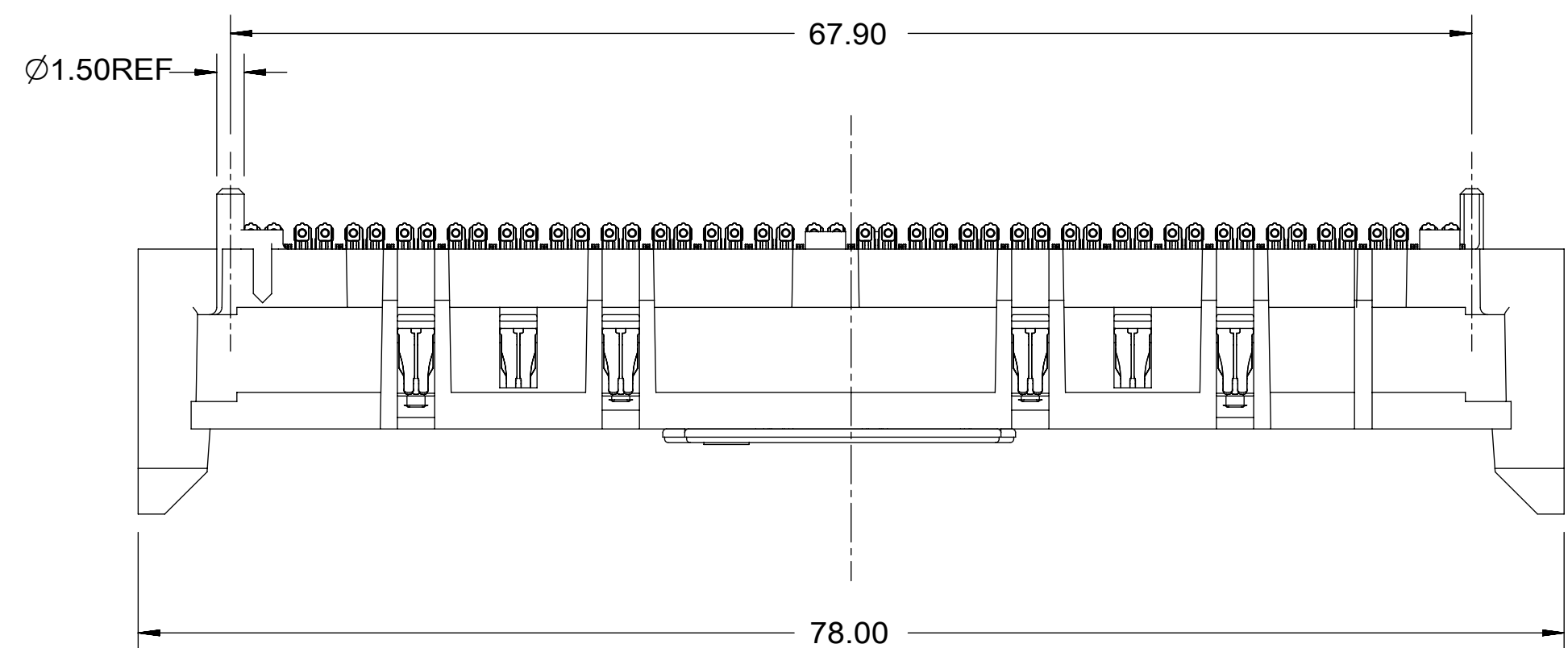


- NOTES:
- HOUSING MATERIAL: LCP, GLASS FILLED, UL 94V-0, BLACK  
CONTACT MATERIAL: HIGH PERFORMANCE COPPER ALLOY  
SOLDER CHARGE: LEAD FREE SOLDER ALLOY
  - FINISH:  
CONTACTS: 30 μINCHES MIN SELECT GOLD ON CONTACT AREA,  
AND 100 μINCHES SELECT TIN MIN ON SOLDERABLE PORTION  
OF SOLDER TAILS; OVER 50 μINCHES MIN NICKEL OVERALL.
  - PRODUCT SPECIFICATION: PS-170807-0001
  - PACKAGING SPECIFICATION: PK-170814-002
  - APPLICATION SPECIFICATION: AS-170807-0001
  - MATES TO 1708072007.

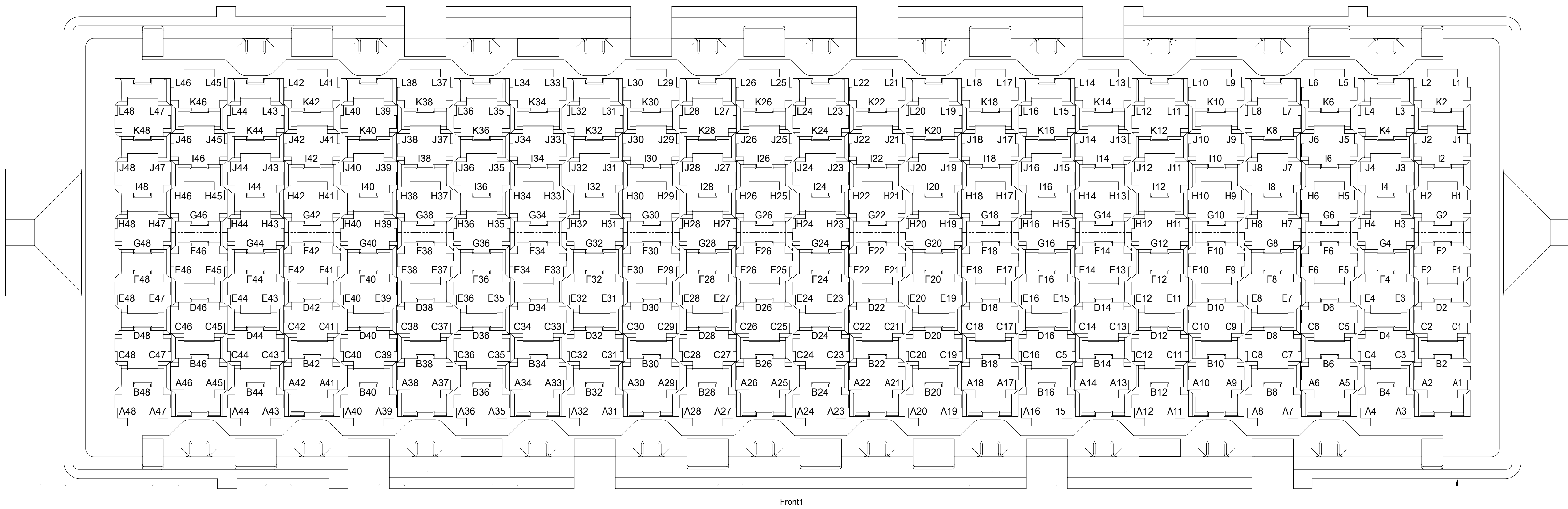


**FOOT PRINT**  
(SCALE 4:1)

- FOOT PRINT NOTES:
- DATUM -A- IS THE TOP OF THE PCB.
  - ALL DIMENSIONS ARE BASICS.
  - SEE APPLICATION SPECIFICATION FOR ADDITIONAL INFORMATION



THIS DRAWING CONTAINS INFORMATION THAT IS PROPRIETARY TO MOLEX ELECTRONIC TECHNOLOGIES, LLC AND SHOULD NOT BE USED WITHOUT WRITTEN PERMISSION									
DIMENSION UNITS		SCALE		CURRENT REV DESC: REVISED.					
mm		NTS							
GENERAL TOLERANCES (UNLESS SPECIFIED)									
ANGULAR TOL $\pm 0.5^\circ$									
4 PLACES $\pm$									
3 PLACES $\pm$									
2 PLACES $\pm 0.15$									
1 PLACE $\pm$									
0 PLACES $\pm$									
DRAFT WHERE APPLICABLE MUST REMAIN WITHIN DIMENSIONS		THIRD ANGLE PROJECTION		DRAWING		SERIES		MATERIAL NUMBER	
				D-SIZE		170814		1708142007	
EC NO: 624298				DRWN: HCGOH		2019/09/12		RECEPTACLE WITH POWER	
CHK'D: JESSIECHUA				APPR: SHONG		2019/09/24		6X24, 8MM, 100 OHMS NEOSCALE	
INITIAL REVISION:				DRWN: JESSIECHUA		2014/07/23		PRODUCT CUSTOMER DRAWING	
				APPR: SHONG		2014/09/04		DOCUMENT NUMBER	
								SD-170814-2007	
								DOC TYPE	
								PSD	
								DOC PART	
								001	
								REVISION	
								A1	
DOCUMENT STATUS				P1		RELEASE DATE		2019/09/24 04:45:08	
								CUSTOMER	
								GENERAL MARKET	
								SHEET NUMBER	
								1 OF 2	



TOP VIEW OF 1708142007 -- A 6 ROW X 24 COLUMN RECEPTACLE  
CONTACT IDENTIFICATION AND LOCATION  
(A, C, E, H, J AND L ARE SIGNAL CONTACTS)  
(B, D, F, G, I AND K ARE SHIELD CONTACTS)  
(TRIADS ARE NOT SHOWN)

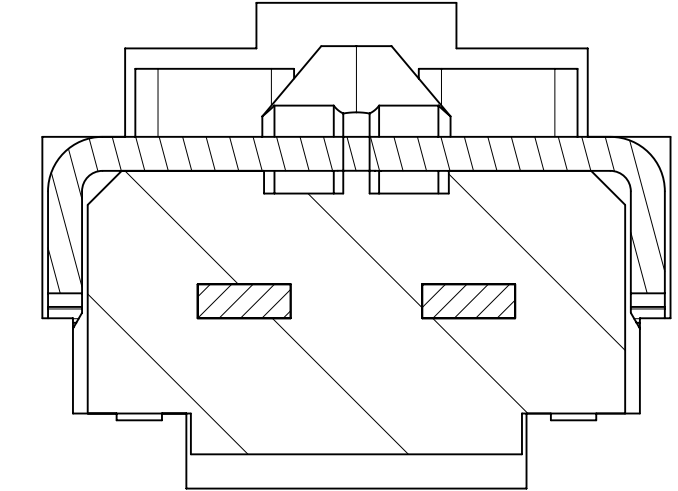
PIN-OUT CHART FOR 1708142007 RECEPTACLE (6 ROWS X 24 COLUMNS)

L48 L47	L46 L45	L44 L43	L42 L41	L40 L39	L38 L37	L36 L35	L34 L33	L32 L31	L30 L29	L28 L27	L26 L25	L24 L23	L22 L21	L20 L19	L18 L17	L16 L15	L14 L13	L12 L11	L10 L9	L8 L7	L6 L5	L4 L3	L2 L1
POWER	POWER	SIG 100	SIG 100	SIG 100	SIG 100	SIG 100	SIG 100	SIG 100	SIG 100	SIG 100	SIG 100	SIG 100	SIG 100	SIG 100	SIG 100	SIG 100	SIG 100	SIG 100	SIG 100	SIG 100	SIG 100	SIG 100	SIG 100
K48 K47	K46 K45	K44 K43	K42 K41	K40 K39	K38 K37	K36 K35	K34 K33	K32 K31	K30 K29	K28 K27	K26 K25	K24 K23	K22 K21	K20 K19	K18 K17	K16 K15	K14 K13	K12 K11	K10 K9	K8 K7	K6 K5	K4 K3	K2 K1
J48 J47	J46 J45	J44 J43	J42 J41	J40 J39	J38 J37	J36 J35	J34 J33	J32 J31	J30 J29	J28 J27	J26 J25	J24 J23	J22 J21	J20 J19	J18 J17	J16 J15	J14 J13	J12 J11	J10 J9	J8 J7	J6 J5	J4 J3	J2 J1
POWER	POWER	SIG 100	SIG 100	SIG 100	SIG 100	SIG 100	SIG 100	SIG 100	SIG 100	SIG 100	SIG 100	SIG 100	SIG 100	SIG 100	SIG 100	SIG 100	SIG 100	SIG 100	SIG 100	SIG 100	SIG 100	SIG 100	SIG 100
I48 I47	I46 I45	I44 I43	I42 I41	I40 I39	I38 I37	I36 I35	I34 I33	I32 I31	I30 I29	I28 I27	I26 I25	I24 I23	I22 I21	I20 I19	I18 I17	I16 I15	I14 I13	I12 I11	I10 I9	I8 I7	I6 I5	I4 I3	I2 I1
H48 H47	H46 H45	H44 H43	H42 H41	H40 H39	H38 H37	H36 H35	H34 H33	H32 H31	H30 H29	H28 H27	H26 H25	H24 H23	H22 H21	H20 H19	H18 H17	H16 H15	H14 H13	H12 H11	H10 H9	H8 H7	H6 H5	H4 H3	H2 H1
POWER	POWER	SIG 100	SIG 100	SIG 100	SIG 100	SIG 100	SIG 100	SIG 100	SIG 100	SIG 100	SIG 100	SIG 100	SIG 100	SIG 100	SIG 100	SIG 100	SIG 100	SIG 100	SIG 100	SIG 100	SIG 100	SIG 100	SIG 100
G48 G47	G46 G45	G44 G43	G42 G41	G40 G39	G38 G37	G36 G35	G34 G33	G32 G31	G30 G29	G28 G27	G26 G25	G24 G23	G22 G21	G20 G19	G18 G17	G16 G15	G14 G13	G12 G11	G10 G9	G8 G7	G6 G5	G4 G3	G2 G1
F48 F47	F46 F45	F44 F43	F42 F41	F40 F39	F38 F37	F36 F35	F34 F33	F32 F31	F30 F29	F28 F27	F26 F25	F24 F23	F22 F21	F20 F19	F18 F17	F16 F15	F14 F13	F12 F11	F10 F9	F8 F7	F6 F5	F4 F3	F2 F1
POWER	POWER	SIG 100	SIG 100	SIG 100	SIG 100	SIG 100	SIG 100	SIG 100	SIG 100	SIG 100	SIG 100	SIG 100	SIG 100	SIG 100	SIG 100	SIG 100	SIG 100	SIG 100	SIG 100	SIG 100	SIG 100	SIG 100	SIG 100
E48 E47	E46 E45	E44 E43	E42 E41	E40 E39	E38 E37	E36 E35	E34 E33	E32 E31	E30 E29	E28 E27	E26 E25	E24 E23	E22 E21	E20 E19	E18 E17	E16 E15	E14 E13	E12 E11	E10 E9	E8 E7	E6 E5	E4 E3	E2 E1
D48 D47	D46 D45	D44 D43	D42 D41	D40 D39	D38 D37	D36 D35	D34 D33	D32 D31	D30 D29	D28 D27	D26 D25	D24 D23	D22 D21	D20 D19	D18 D17	D16 D15	D14 D13	D12 D11	D10 D9	D8 D7	D6 D5	D4 D3	D2 D1
POWER	POWER	SIG 100	SIG 100	SIG 100	SIG 100	SIG 100	SIG 100	SIG 100	SIG 100	SIG 100	SIG 100	SIG 100	SIG 100	SIG 100	SIG 100	SIG 100	SIG 100	SIG 100	SIG 100	SIG 100	SIG 100	SIG 100	SIG 100
C48 C47	C46 C45	C44 C43	C42 C41	C40 C39	C38 C37	C36 C35	C34 C33	C32 C31	C30 C29	C28 C27	C26 C25	C24 C23	C22 C21	C20 C19	C18 C17	C16 C15	C14 C13	C12 C11	C10 C9	C8 C7	C6 C5	C4 C3	C2 C1
B48 B47	B46 B45	B44 B43	B42 B41	B40 B39	B38 B37	B36 B35	B34 B33	B32 B31	B30 B29	B28 B27	B26 B25	B24 B23	B22 B21	B20 B19	B18 B17	B16 B15	B14 B13	B12 B11	B10 B9	B8 B7	B6 B5	B4 B3	B2 B1
POWER	POWER	SIG 100	SIG 100	SIG 100	SIG 100	SIG 100	SIG 100	SIG 100	SIG 100	SIG 100	SIG 100	SIG 100	SIG 100	SIG 100	SIG 100	SIG 100	SIG 100	SIG 100	SIG 100	SIG 100	SIG 100	SIG 100	SIG 100
A48 A47	A46 A45	A44 A43	A42 A41	A40 A39	A38 A37	A36 A35	A34 A33	A32 A31	A30 A29	A28 A27	A26 A25	A24 A23	A22 A21	A20 A19	A18 A17	A16 A15	A14 A13	A12 A11	A10 A9	A8 A7	A6 A5	A4 A3	A2 A1

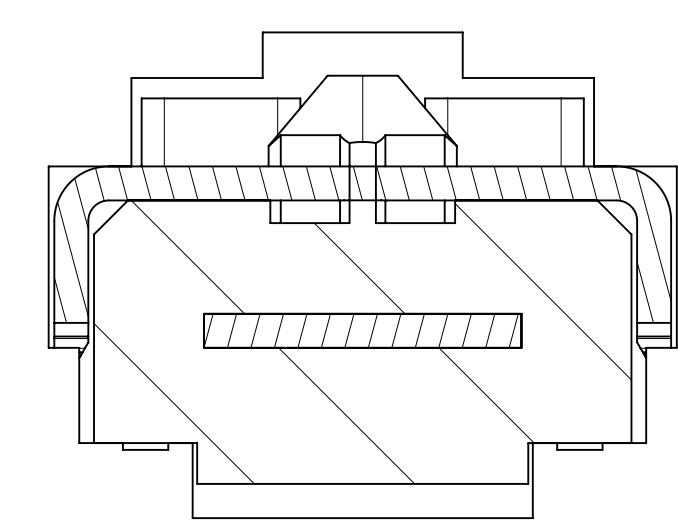
SOLID LINES INDICATES THAT THE POWER TRIADS ARE ELECTRICALLY COMMON WITHIN THE CONNECTOR

"MIRROR LINE"

BROKEN LINE INDICATES THAT THESE SOLDER POINTS (FOR THE TRIAD SHIELD) ARE ELECTRICALLY COMMON.



100 OHM SIGNAL TRIAD



POWER TRIAD

LEGEND FOR PIN-OUT CHART 1708142007 RECEPTACLE		
SYMBOL	DESCRIPTION	TRIAD COUNT
SIG 100	8mm 100 OHM SIGNAL TRIAD	132 PLACES
POWER	8mm POWER TRIAD	12 PLACES

TRIAD DISTRIBUTION

THIS DRAWING CONTAINS INFORMATION THAT IS PROPRIETARY TO MOLEX ELECTRONIC TECHNOLOGIES, LLC AND SHOULD NOT BE USED WITHOUT WRITTEN PERMISSION

DIMENSION UNITS	SCALE	CURRENT REV DESC: REVISED.		<b>molex</b>	
mm	NTS				
GENERAL TOLERANCES (UNLESS SPECIFIED)		EC NO: 624298		RECEPTACLE WITH POWER 6X24, 8MM, 100 OHMS NEOSCALE	
4 PLACES	±	DRWN: HCGOH	2019/09/12		
3 PLACES	±	CHK'D: JESSIECHUA	2019/09/19		
2 PLACES	± 0.15	APPR: SHONG	2019/09/24	PRODUCT CUSTOMER DRAWING	
1 PLACE	±	INITIAL REVISION:		DOCUMENT NUMBER	
0 PLACES	±	DRWN: JESSIECHUA	2014/07/23	SD-170814-2007	
ANGULAR TOL	± 0.5 °	APPR: SHONG	2014/09/24	DOC TYPE	DOC PART
DRAFT WHERE APPLICABLE MUST REMAIN WITHIN DIMENSIONS		THIRD ANGLE PROJECTION	SERIES	MATERIAL NUMBER	REVISION
		E-SIZE	170814	1708142007	PSD 001 A1
		DRAWING		CUSTOMER	SHEET NUMBER
				GENERAL MARKET	2 OF 2