



## Part Number: D3I0802N

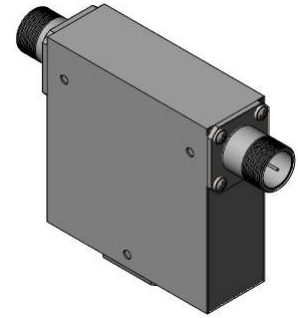
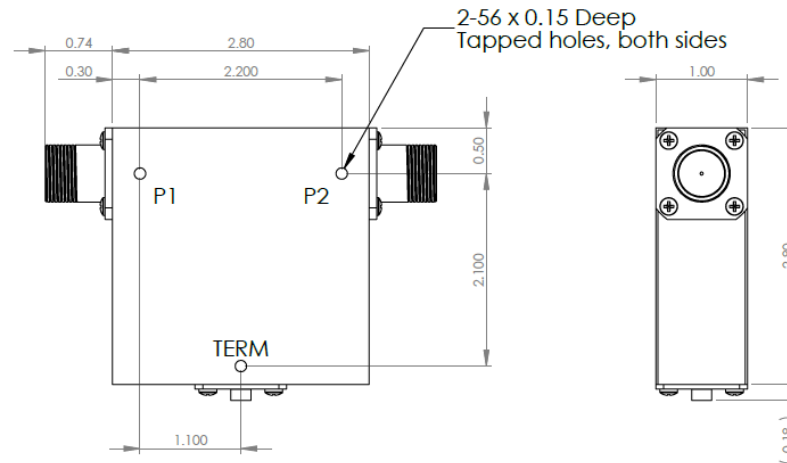
### Electrical Specifications

Frequency Range (GHz):	0.8 – 2.0
Isolation (dB):	14 MIN
Insertion Loss (dB):	1.0 MAX
VSWR:	1.5:1 MIN
Forward Power (W):	50 AVG 75 PK
Reflective Power (W):	10 AVG

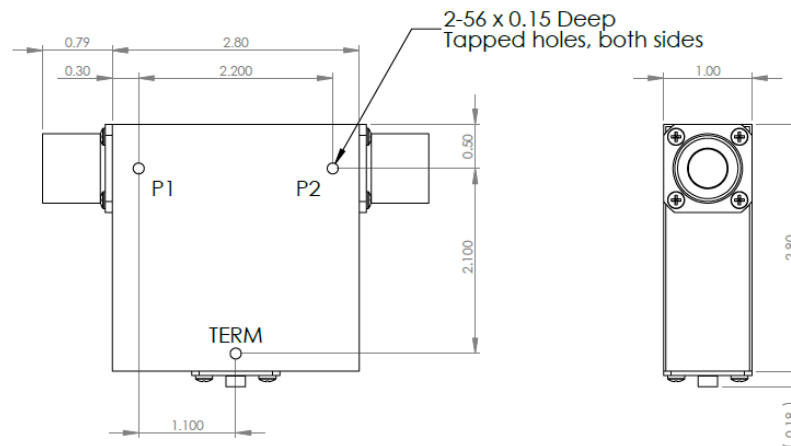
### Mechanical/Environmental Specifications

Connector Type:	Type-N
Connector Body:	Nickel plated brass
Connector Pin:	Gold plated copper
Load Body:	Brass
Magnetic Shunt:	Nickel plated CRS
Operational Temp:	10°C to +55°C
Weight (oz)	15 MAX

### D3I0802N Dimensions



### D3I0802N-3 Dimensions



Dimensions are in inches  
Tolerance

XX ±0.03  
XXX ±0.010

Type of Device	PN Suffix	Connector Configuration Input / Output	PN Example
Single and Dual Junction Isolator, 2-Port Device	N/A	Female / Female	D3I0802N
	-1	Male / Female	D3I0802N-1
	-2	Female / Male	D3I0802N-2
	-3	Male / Male	D3I0802N-3



# MEASURED DATA

Part Number: D3I0802N, +25°C

