

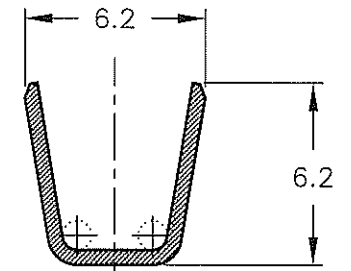
NUMBER 1981690

3rd ANGLE PROJECTION

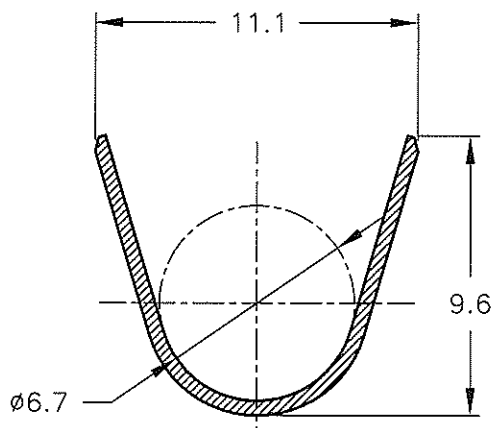
METRIC

ALL DIMENSIONS IN MM. DO NOT SCALE PRINT

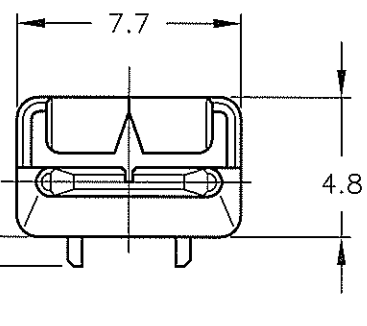
PRINT DIST



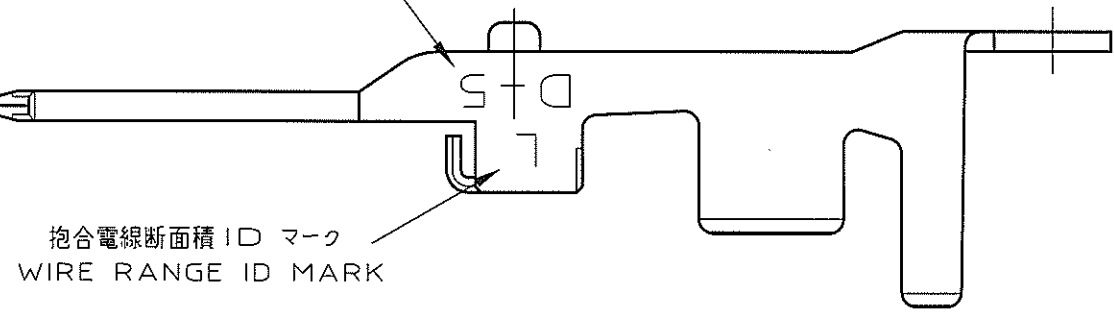
断面 "A"- "A"  
SECT "A"- "A"



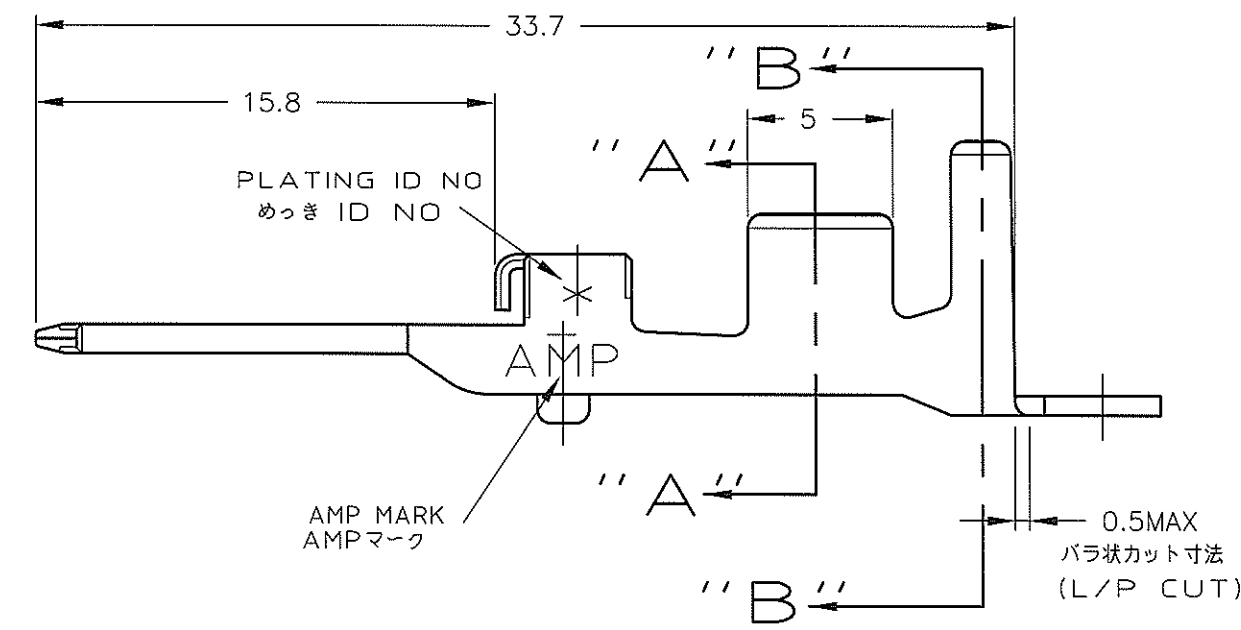
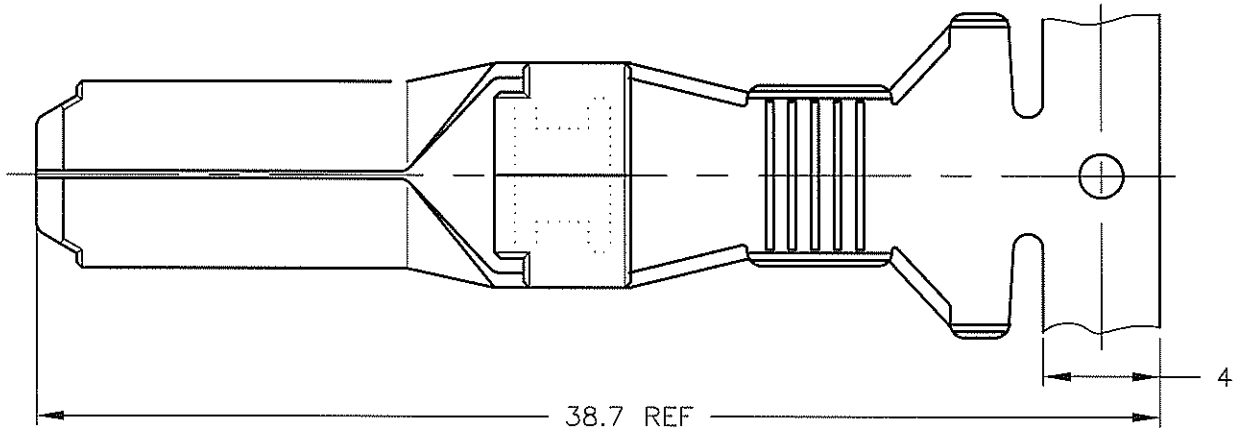
断面 "B"- "B"  
SECT "B"- "B"



CONTACT ID MARK



ワイヤ範囲 ID マーク  
WIRE RANGE ID MARK



注記

めっき : コンタクト全面Ni下地  
接触部: 0.38 μm MIN金めっき

製品規格: 108-5453  
取付け適用規格: 114-5206

NOTES

FINISH (CONTACT AREA): 0.38 μm MIN  
GOLD PLATING OVER NI PLATING.

PRODUCT SPEC. 108-5453  
APPLICATION SPEC. 114-5206

|          |                         |              |            |                 |
|----------|-------------------------|--------------|------------|-----------------|
| 2        | めっき ID NO<br>PL ID CODE | 仕上<br>FINISH | 1981691-2  | 1981690-2       |
|          |                         |              | バラ状<br>L/P | 連続状<br>STRIPPED |
| 型番 (P/N) |                         |              |            |                 |

|  |  |  |  |  |  |
|--|--|--|--|--|--|
| Copyright ©1999 年<br>Tyco Electronics AMP KK |  | Copyright ©1999<br>Tyco Electronics AMP K.K.<br>ALL RIGHTS RESERVED. |  | Tyco Electronics AMP K.K.<br>Kawasaki, Japan                                 |  |
| ワイヤ範囲 (WIRE RANGE)<br>AWG #8                 |  | 絶縁外径 (INSULATION DIA.)<br>4.9/7.8 mmφ                                |  | 名称 (NAME)<br>TAB CONTACT "L" SIZE<br>タブコンタクト "L" サイズ<br><DYNAMIC D-5 SERIES> |  |
| 材料 (MATERIAL)<br>銅合金 (COPPER ALLOY)          |  | 仕上 (FINISH)<br>表参照 (SEE TABLE)                                       |  | 一般公差 (GENERAL TOLERANCE)   |  |
| A RELEASED                                   |  | DR. T. Sakamoto  |  | SIZE A3 LOC J 番号 (No.) C-1981690   |  |
| LTR 変更 (REVISION RECORD)                     |  | CHK. D.MITSUGI   |  | 10mm 30mm 30mm 100mm<br>±0.3<br>±0.35<br>±0.4<br>±3°                         |  |
| DR. T.S D.M 28/MAR/07                        |  | APP. D.MITSUGI 28/MAR/07   |  | 尺取 (SCALE) 4-1 REV. A SHEET 1 OF 1   |  |